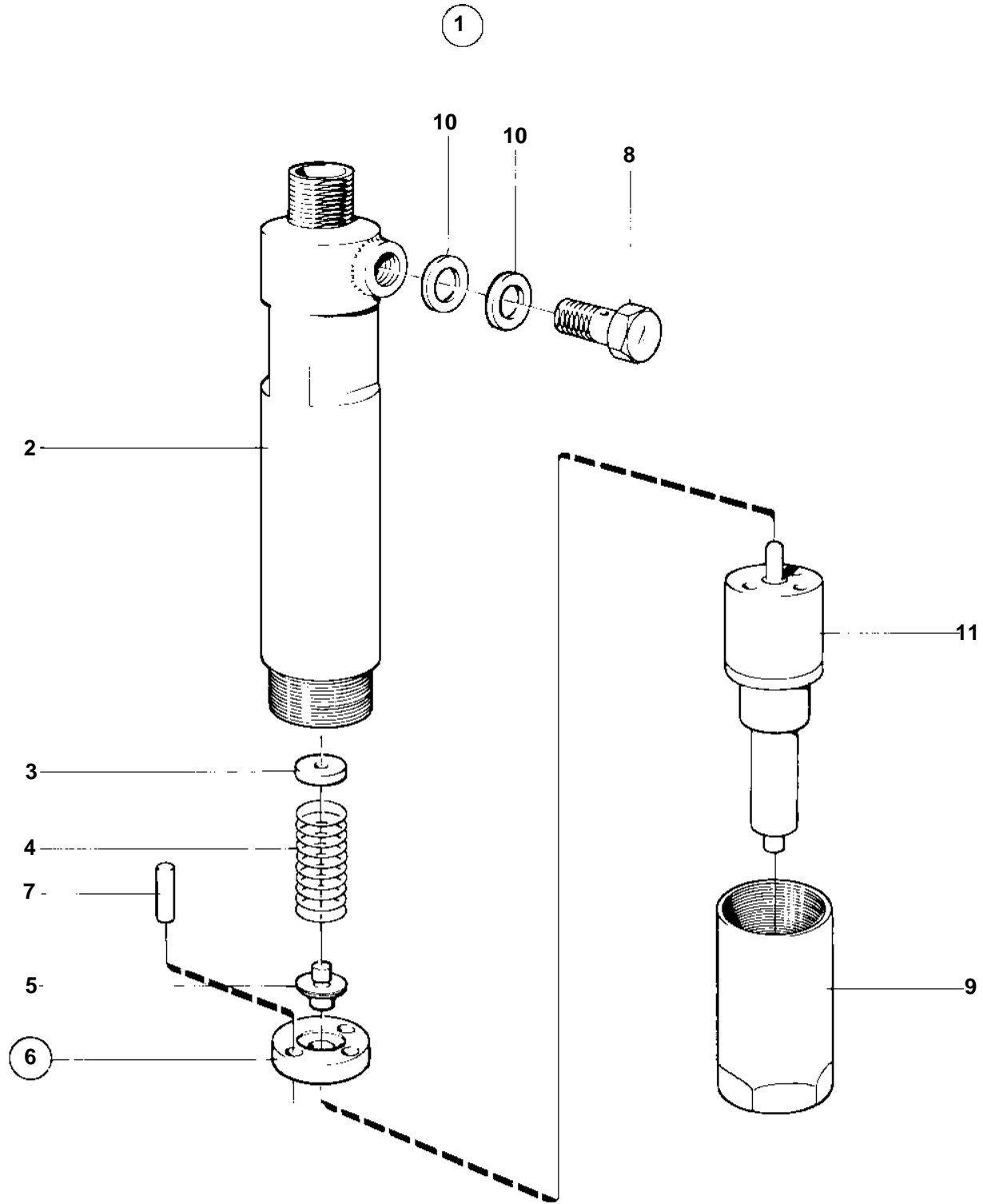


2001B,2001BG,2002B,2002BG,2003B,2003BG,2003B-SOLAS,2002TB,2003TB-SOLAS



2001B,2001BG,2002B,2002BG,2003B,2003BG,2003B-SOLAS,2002TB,2003TB-SOLAS

REF	PART NO.	QTY	DESCRIPTION	NOTES
1	860792	1	Injector, FUEL INJECTOR	2002B,2002BG,2003B,
	3803237	1	Injector, exch	Exchange unit 2003BG,2003B-SOLAS
2	861141	1		
3	243467	X	• • Adjusting washer	TH = 1,00 MM
	243468	X	• • Adjusting washer	TH = 1,05 MM
	6885721	X	• • Adjusting washer	TH = 1,08 MM
	243469	X	• • Adjusting washer	TH = 1,10 MM
	243470	X	• • Adjusting washer	TH = 1,15 MM
	243471	X	• • Adjusting washer	TH = 1,20 MM
	243472	X	• • Adjusting washer	TH = 1,25 MM
	6885724	X	• • Adjusting washer	TH = 1,28 MM
	243473	X	• • Adjusting washer	TH = 1,30 MM
	243474	X	• • Adjusting washer	TH = 1,35 MM
	243475	X	• • Adjusting washer	TH = 1,40 MM
	243476	X	• • Adjusting washer	TH = 1,45 MM
	6885727	X	• • Adjusting washer	TH = 1,48 MM
	243477	X	• • Adjusting washer	TH = 1,50 MM
	243478	X	• • Adjusting washer	TH = 1,55 MM
	243479	X	• • Adjusting washer	TH = 1,60 MM
	243480	X	• • Adjusting washer	TH = 1,65 MM
	6885730	X	• • Adjusting washer	TH = 1,68 MM
	243481	X	• • Adjusting washer	TH = 1,70 MM
	243482	X	• • Adjusting washer	TH = 1,75 MM
	243483	X	• • Adjusting washer	TH = 1,80 MM
	6885739	X	• • Adjusting washer	TH = 1,84 MM
	6885740	X	• • Adjusting washer	TH = 1,88 MM
	243485	X	• • Adjusting washer	TH = 1,90 MM
	243486	X	• • Adjusting washer	TH = 1,95 MM
4	6885720	1	• • Compression spring	
5	861131	1	• • Spring disc	
6	861130	1	• • Intermediate section	
7	244907	2	• • • Locating pin	
8	243487	1	• • Screw	
9	861138	1	• • Cap nut	
10	190990	2	• • Gasket	
11	860791	1	• Nozzle	