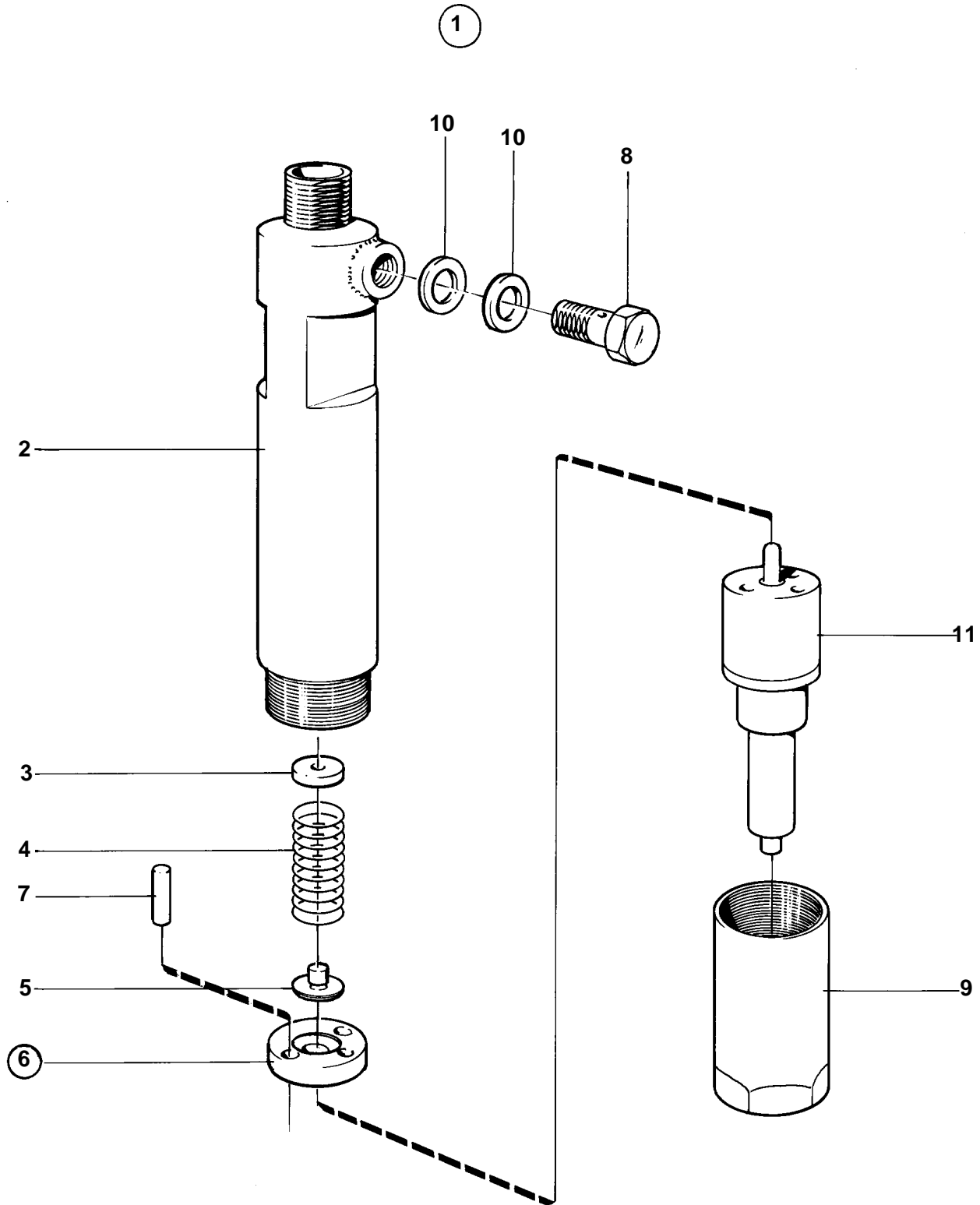


2001(868231),2002(868232),2003(868233)



2001(868231),2002(868232),2003(868233)

REF	PART NO.	QTY	DESCRIPTION	NOTES
1	860340	1	Injector	
2		1	· NOZZLE HOLDER BODY	
3	243467	X	· · Adjusting washer	TH = 1,00 MM
	243468	X	· · Adjusting washer	TH = 1,05 MM
	243469	X	· · Adjusting washer	TH = 1,10 MM
	243470	X	· · Adjusting washer	TH = 1,15 MM
	243471	X	· · Adjusting washer	TH = 1,20 MM
	243472	X	· · Adjusting washer	TH = 1,25 MM
	243473	X	· · Adjusting washer	TH = 1,30 MM
	243474	X	· · Adjusting washer	TH = 1,35 MM
	243475	X	· · Adjusting washer	TH = 1,40 MM
	243476	X	· · Adjusting washer	TH = 1,45 MM
	243477	X	· · Adjusting washer	TH = 1,50 MM
	243478	X	· · Adjusting washer	TH = 1,55 MM
	243479	X	· · Adjusting washer	TH = 1,60 MM
	243480	X	· · Adjusting washer	TH = 1,65 MM
	243481	X	· · Adjusting washer	TH = 1,70 MM
	243482	X	· · Adjusting washer	TH = 1,75 MM
	243483	X	· · Adjusting washer	TH = 1,80 MM
	6885739	X	· · Adjusting washer	TH = 1.84 MM
	243485	X	· · Adjusting washer	TH = 1,90 MM
	243486	X	· · Adjusting washer	TH = 1,95 MM
4	860317	1	· · Spring	
5	860316	1	· · Shaft	
6	860824	1	· · Guide washer	
7	860288	2	· · · Pin	
8	243487	1	· · Screw	
9	860524	1	· · Cap nut	
10	190990	2	· · Gasket	
11	859461	1	· Nozzle	