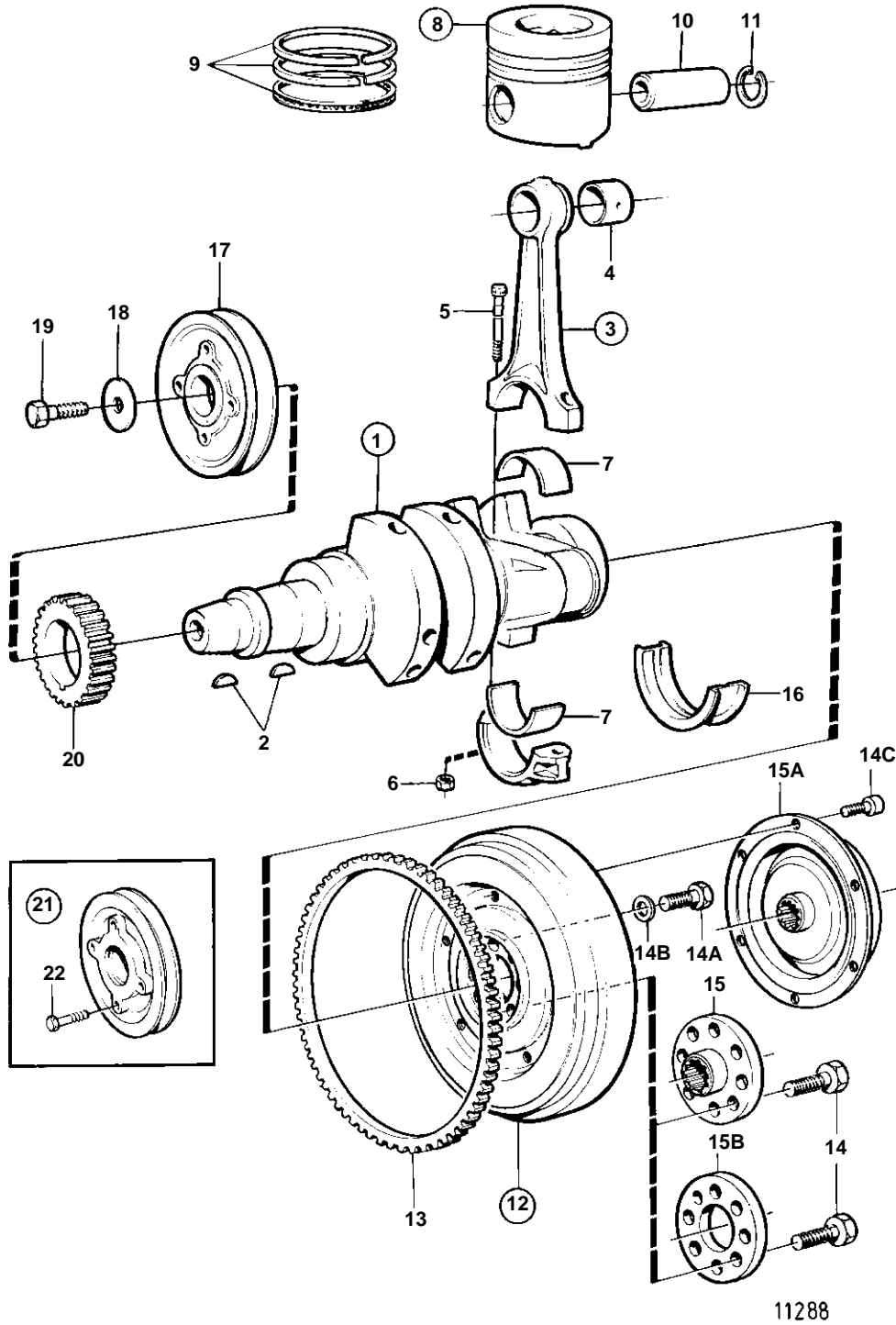


2002(868232),2002B,2002BG



2002(868232),2002B,2002BG

REF	PART NO.	QTY	DESCRIPTION	NOTES
1	876251	1	Crankshaft	
2	910118	2	• Woodruff key	
3	860073	2	Connecting rod	
4	840703	2	• Bushing	
5	840704	4	• Screw	
6	840705	4	• Nut	
7	875747	2	Big end bearing kit	STD D
	875748	2	Big end bearing kit	0,25MM U.S
	875749	2	Big end bearing kit	0,50MM U.S
8	876249	2	Piston kit	STD D
	876291	2	Piston kit	0,25MM O.S
	876292	2	Piston kit	0,50MM O.S
9	876114	2	• Piston ring kit	STD D
	876115	2	• Piston ring kit	0,25MM O.S
	876116	2	• Piston ring kit	0,50MM O.S
10	840422	2	• Piston pin	
11	951086	4	• Lock ring	
12	840321	1	Flywheel	REPL BY 861047
13	1326333	1	• Gear ring	
14	970878	8	Screw	L = 40 MM
15	840592	1	Companion flange	
16	875750	1	Main bearing kit	STD D
	875752	1	Main bearing kit	0,25MM U.S
	875754	1	Main bearing kit	0,50MM U.S
17	840668	1	Pulley	
18	190763	1	Washer	
19	970948	1	Screw	
20	840350	1	Gear	
21	840777	1	Pulley, EXTRA	
22	955297	4	• Screw	