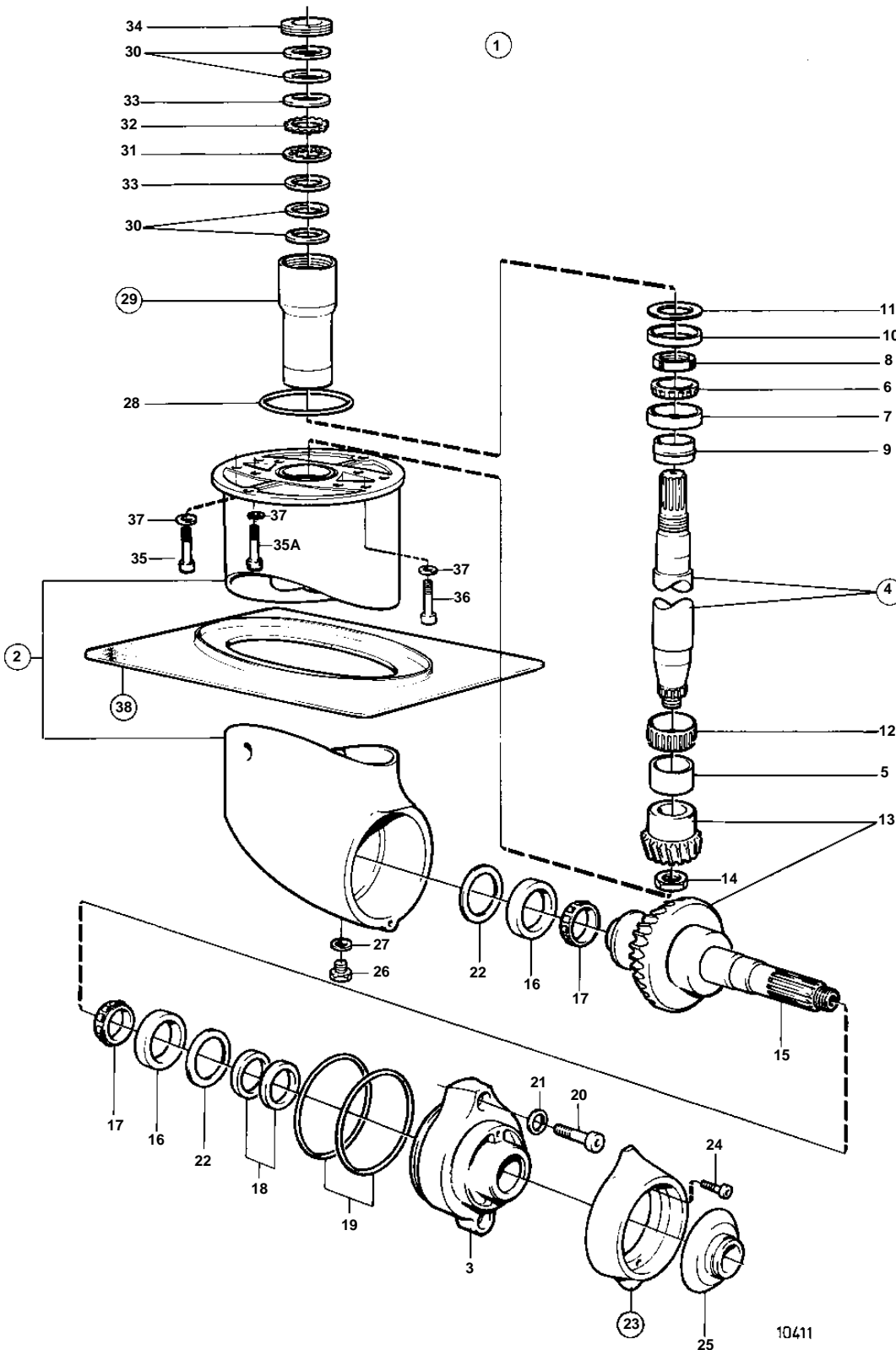


2001,2001B,2002,2002B,2002D,2003,2003B,2003D,2003T,2003TB



2001,2001B,2002,2002B,2002D,2003,2003B,2003D,2003T,2003TB

REF	PART NO.	QTY	DESCRIPTION	NOTES
1	853657	1	Gear under	RATIO 2,2:1
2	853555	1	• Housing	
3	851647	1	• • Bearing housing	
4	852484	1	• Countershaft	
5		1	• • RING	
6	183752	2	• Cone	
7	183750	2	• Cup	
8	852485	1	• Lock nut	
9	851974	1	• Collet	
10	852162	1	• Spacer sleeve	
11	948298	X	• Adjusting washer	TH = 0,10 MM
	948299	X	• Adjusting washer	TH = 0,15 MM
	948300	X	• Adjusting washer	TH = 0,35 MM
	948303	X	• Adjusting washer	TH = 1,0 MM
12	852508	1	• Needle bearing	
13	851649	1	• Gear set	
14	850981	1	• Nut	
15	851652	1	• Driveshaft	
16	181587	2	• Ring	
17	181588	2	• Ring	
18	851979	2	• Sealing ring	
19	925256	2	• O-ring	
20	946541	2	• Screw	
21	897871	2	• Adjusting washer	
22	851980	X	• Adjusting washer	TH = 0,10 MM
	851981	X	• Adjusting washer	TH = 0,15 MM
	851982	X	• Adjusting washer	TH = 0,35 MM
	949074	X	• Adjusting washer	TH = 0,50 MM
23	876286	1	• Zinc ring kit	
24	949823	2	• • Screw	
25	851984	1	• Line cutter	
26	852904	1	• Magnetic plug	(839354)
27	955974	1	• O-ring	
28	925256	1	O-ring	IK INCLUDED IN COMPLETE DRIVE UNIT
29	852724	1	Splined sleeve	INCLUDED IN COMPLETE DRIVE UNIT
30		4	• CUP SPRING	
31		18	• OUTER DISC	
32		17	• INNER DISC	
33		2	• THRUST WASHER	
34		1	• ADJUSTING SCREW	
35	963699	4	Screw	L = 40 MM. INCLUDED IN COMPLETE DRIVE UNIT
35A	851860	4	Lock screw	L = 40 MM. INCLUDED IN COMPLETE DRIVE UNIT
	852669	X	Locking wire	
36	963703	2	Screw	L = 60 MM. INCLUDED IN COMPLETE DRIVE UNIT
37	897511	10	Washer	INCLUDED IN COMPLETE DRIVE UNIT
38	854932	1	Mounting kit	INCLUDED IN COMPLETE DRIVE UNIT