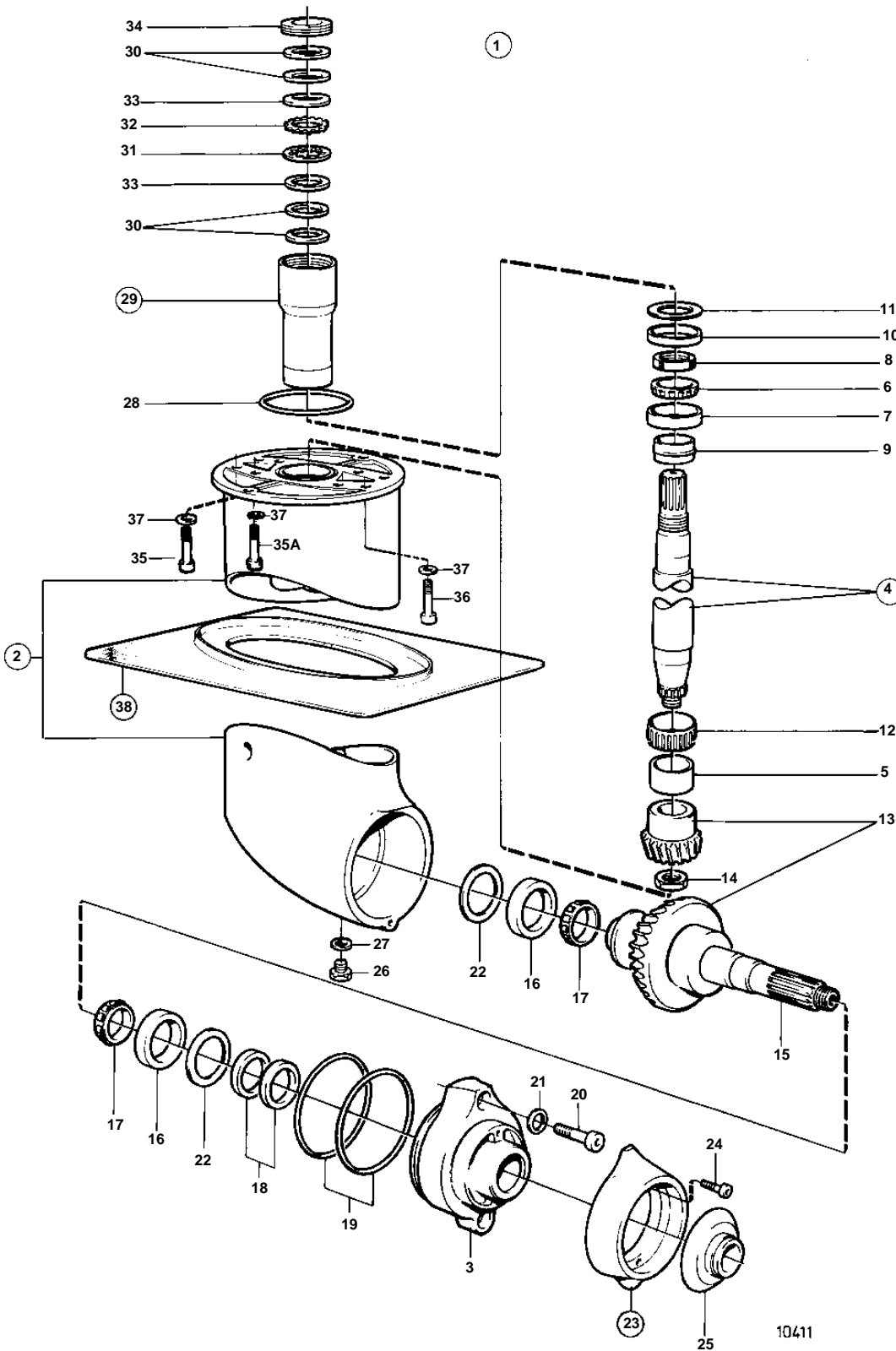


2001,2002,2003



2001,2002,2003

REF	PART NO.	QTY	DESCRIPTION	NOTES
1	852700	1	Gear under	RATIO 2,2:1
2	853555	1	· Housing	(851646)
3	851647	1	· · Bearing housing	
4	852484	1	· Countershaft	
5		1	· · RING	
6	183752	2	· Cone	
7	183750	2	· Cup	
8	852485	1	· Lock nut	
9	851974	1	· Collet	
10	852162	1	· Spacer sleeve	
11	948298	X	· Adjusting washer	TH = 0,10 MM
	948299	X	· Adjusting washer	TH = 0,15 MM
	948300	X	· Adjusting washer	TH = 0,35 MM
	948303	X	· Adjusting washer	TH = 1,0 MM
12	852508	1	· Needle bearing	
13	851649	1	· Gear set	
14	850981	1	· Nut	
15	851652	1	· Driveshaft	
16	181587	2	· Ring	
17	181588	2	· Ring	
18	851979	2	· Sealing ring	IK
19	925256	2	· O-ring	IK
20	946541	2	· Screw	
21	897871	2	· Adjusting washer	
22	851980	X	· Adjusting washer	TH = 0,10 MM
	851981	X	· Adjusting washer	TH = 0,15 MM
	851982	X	· Adjusting washer	TH = 0,35 MM
	949074	X	· Adjusting washer	TH = 0,50 MM
23	876286	1	· Zinc ring kit	
24	949823	2	· · Screw	
25	851984	1	· Line cutter	
26	804262	1	· Plug	
27	804261	1	· Gasket	IK
28	925256	1	O-ring	IK
29	852724	1	Splined sleeve	INCLUDED IN COMPLETE DRIVE UNIT
30		4	· CUP SPRING	INCLUDED IN COMPLETE DRIVE UNIT
31		18	· OUTER DISC	
32		17	· INNER DISC	
33		2	· THRUST WASHER	
34		1	· ADJUSTING SCREW	
35	963699	4	Screw	L = 40 MM. INCLUDED IN COMPLETE DRIVE UNIT
35A	851860	4	Lock screw	L = 40 MM. INCLUDED IN COMPLETE DRIVE UNIT
	852669	X	Locking wire	
36	963703	2	Screw	L = 60 MM. INCLUDED IN COMPLETE DRIVE UNIT
37	941670	10	Washer	INCLUDED IN COMPLETE DRIVE UNIT
38	854932	1	Mounting kit	(853479). INCLUDED IN COMPLETE DRIVE UNIT