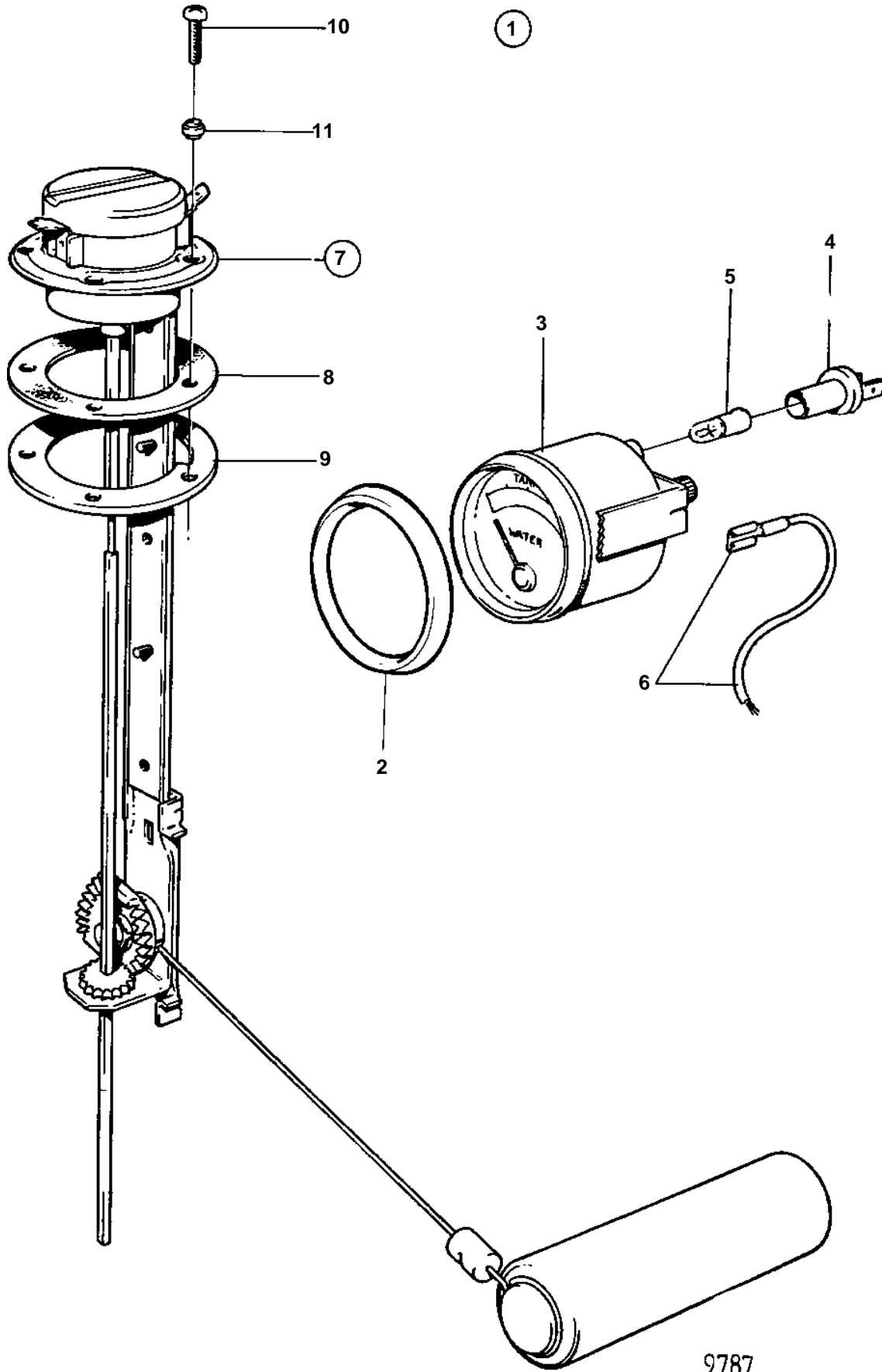


COMMON



**COMMON**

REF	PART NO.	QTY	DESCRIPTION	NOTES
1	1140462	1	Water level gauge ki	
2	858643	1	· Front ring	
3	863942	1	· Water level gauge	(828635)
4	863945	2	· · Bulb socket	FOR INSTRUMENTS OF EARLY TYPE SHOULD WHITE BULB 19923 AND BULB HOLDER 808175 BE INSTALLED.
5	863946	2	· · Bulb	RED. FOR INSTRUMENTS OF EARLY TYPE SHOULD WHITE BULB 19923 AND BULB HOLDER 808175 BE INSTALLED.
6		X	· CABLES AND TERMINALS	SEE GROUP 3
7	834389	1	· Sender	
8	89865	1	· · Gasket	
9	834480	1	· · Flange	
10	956078	4	· · Screw	L = 16 MM
	956081	1	· · Screw	L = 25 MM
11	834481	5	· · Gasket	