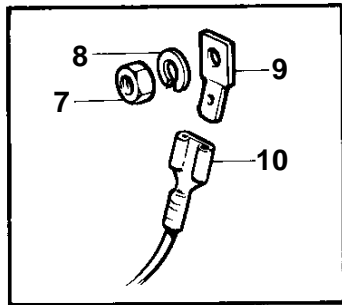
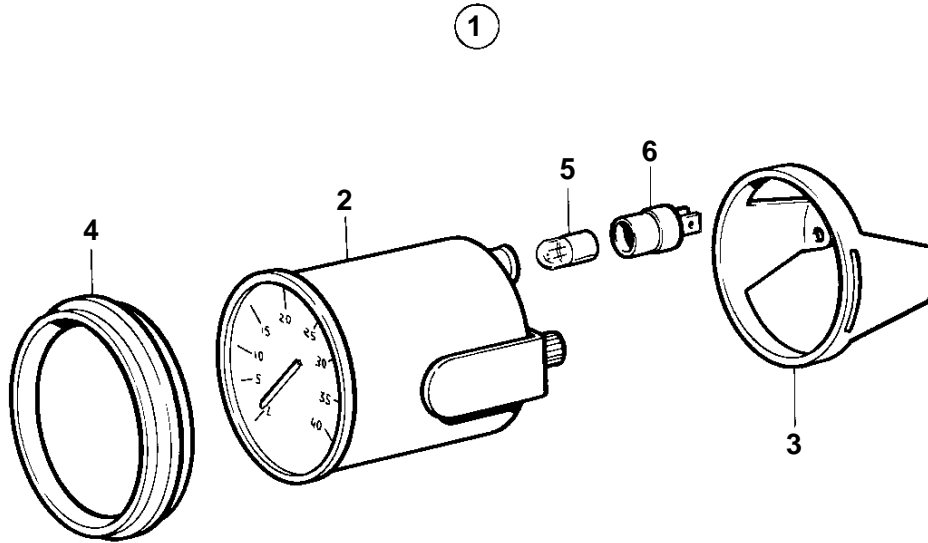


COMMON



9110

COMMON

REF	PART NO.	QTY	DESCRIPTION	NOTES
1	876186	1	Rev counter kit	12V
2	858940	1	· Tachometer	REPL BY 864024
	864024	1	· Tachometer	REPL BY 854913
	854913	1	· Tachometer	
3	849523	1	· Attaching ring	
4	858644	1	· Front ring	
5	19923	1	· Bulb	
6	808175	1	· Bulb socket	
7	955779	1	· Nut	TO BE INSTALLED ON THE ALTERNATOR'S OUTPUT MARKED W.
8	941904	1	· Spring washer	TO BE INSTALLED ON THE ALTERNATOR'S OUTPUT MARKED W.
9	941881	1	· Spade terminal	TO BE INSTALLED ON THE ALTERNATOR'S OUTPUT MARKED W.
10		X	· CABLES AND TERMINALS	SEE GROUP 3