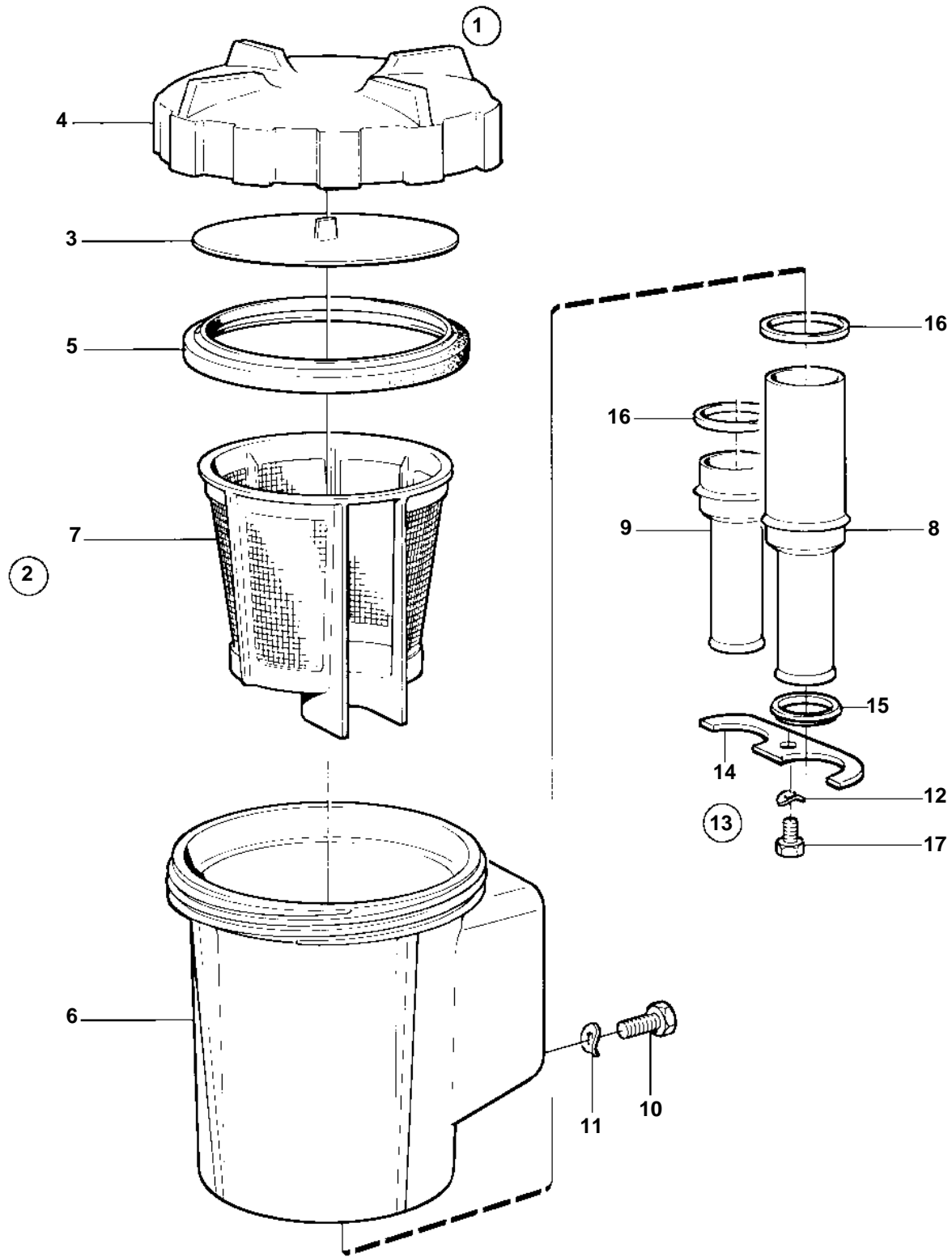


COMMON



COMMON

| REF | PART NO. | QTY | DESCRIPTION | NOTES |
|-----|----------|-----|--------------------|-----------------------|
| 1 | 829711 | 1 | Filter | |
| 2 | 842924 | 1 | · Strainer | |
| 3 | 842982 | 1 | · · Pressure plate | |
| 4 | 842722 | 1 | · · Cover | |
| 5 | 842724 | 1 | · · Seal | |
| 6 | | 1 | · · HOUSING | |
| 7 | 842723 | 1 | · · Strainer | |
| 8 | 829689 | 1 | · Tube | |
| 9 | 829690 | 1 | · Tube | |
| 10 | 955296 | 4 | · Screw | |
| 11 | 941907 | 4 | · Spring washer | |
| 12 | 941906 | 1 | · Spring washer | |
| 13 | 860833 | 1 | · Retainer | (829691) |
| 14 | 860832 | 1 | · · Retainer | |
| 15 | 847108 | 2 | · · Retainer | |
| 16 | 858986 | 2 | · · Sealing ring | |
| 17 | 965175 | 1 | · · Screw | L = 12 MM |
| | 955270 | 1 | · Screw | L = 14 MM, FOR 829691 |