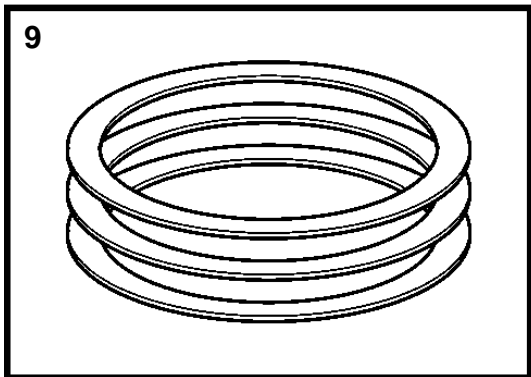
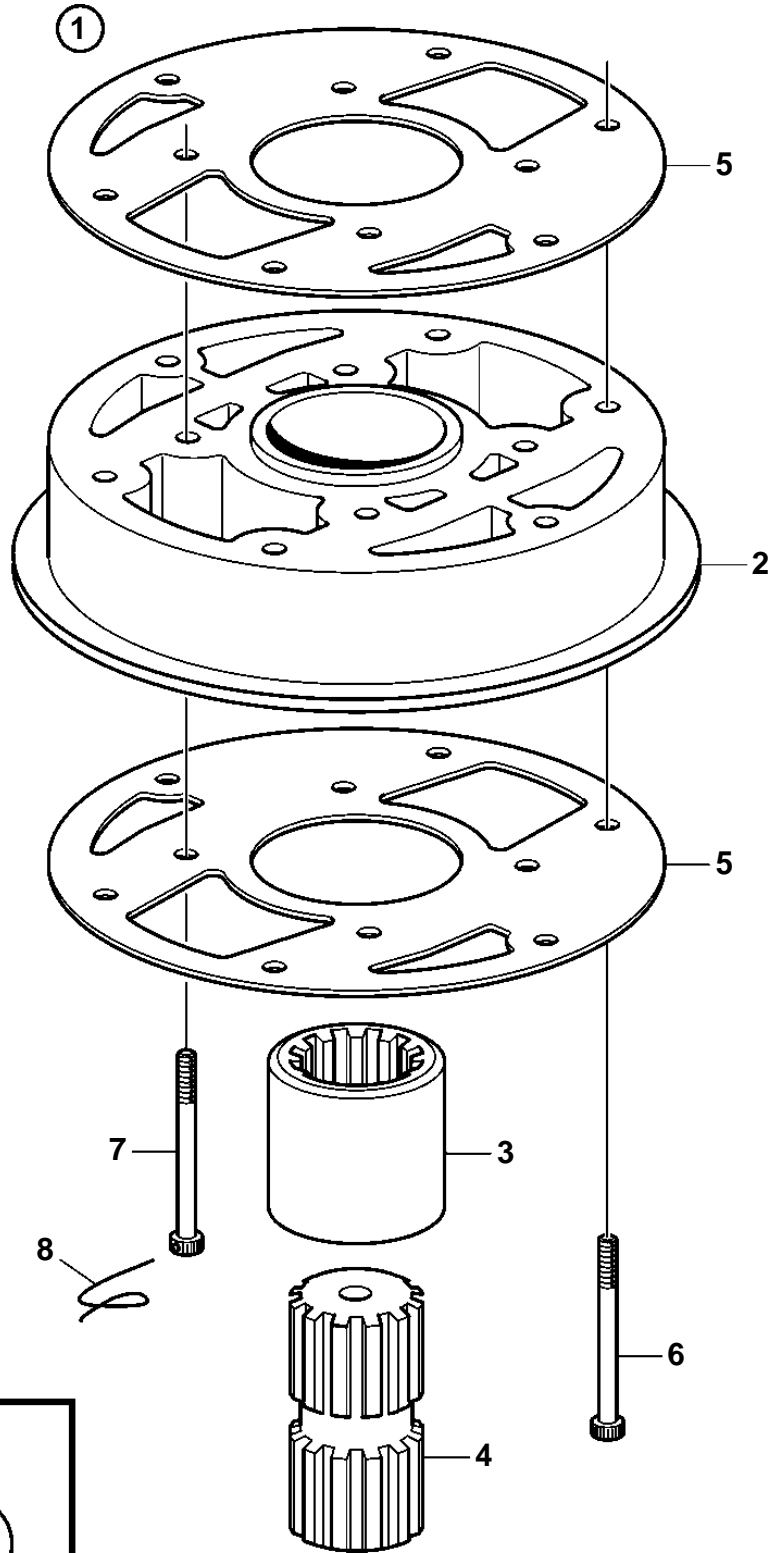


2001,2002,2003,2003T



6266

2001,2002,2003,2003T

REF	PART NO.	QTY	DESCRIPTION	NOTES
1	854173	1	Extension kit	(851856) L = 51 MM
2		1	· SPACER	
3	852442	1	· Splined sleeve	
4	852443	1	· Extension shaft	
5	853892	2	· Gasket	(851996)
6	967686	4	· Screw	L = 90 MM
	851858	4	· Screw	L = 90 MM
7	967687	2	· Screw	L = 110 MM
8	852669	1	· Locking wire	
9	948298	X	· Adjusting washer	TH = 0,10 MM
	948299	X	· Adjusting washer	TH = 0,15 MM
	948300	X	· Adjusting washer	TH = 0,35 MM