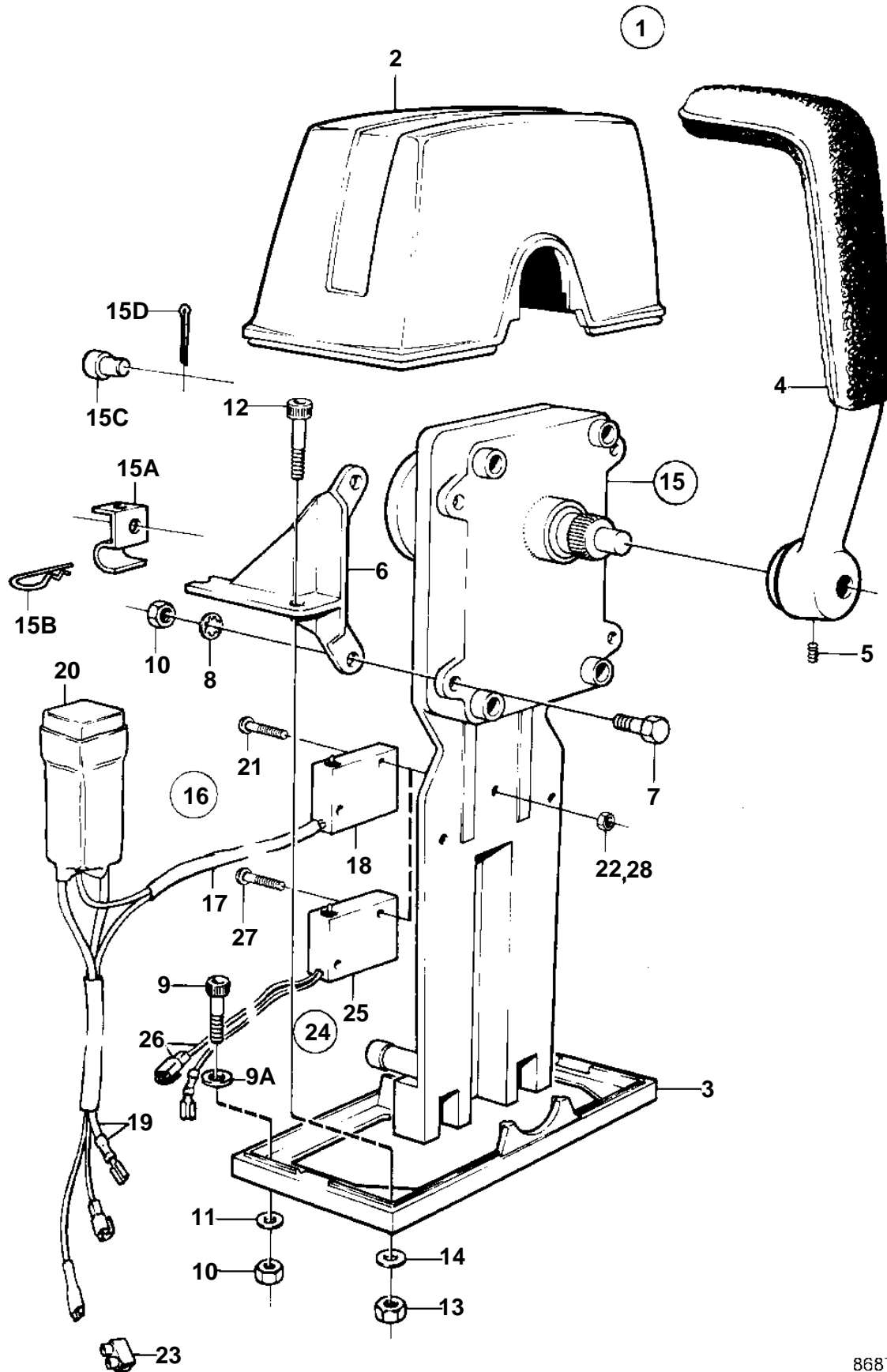


COMMON



8687

COMMON

| REF | PART NO. | QTY | DESCRIPTION | NOTES |
|-----|----------|-----|--------------------------|---------------------------|
| 1 | 851603 | 1 | Mounting kit | FOR TWIN INSTALLATION |
| 2 | 839477 | 1 | • Cover | IK |
| 3 | 839479 | 1 | • Plate | IK |
| 4 | 839475 | 2 | • Lever | IK |
| 5 | 839693 | 2 | • Lock screw | IK M8 |
| 9 | 947671 | 6 | • Allen head screw | IK |
| 9A | 940090 | 2 | • Washer | IK |
| 10 | 955780 | 6 | • Nut | IK |
| 11 | 960138 | 6 | • Washer | IK |
| 15 | 851600 | 2 | Control | LATE TYPE |
| 15A | 853423 | 1 | • Retainer | |
| 15B | 852924 | 1 | • Clip | |
| 15C | 839638 | 2 | • Cube | |
| 15D | 17253 | 2 | • Cotter pin | |
| 16 | 855352 | 2 | Neutral posit contac | (839641) |
| 17 | 839619 | 2 | • Cable kit | |
| 18 | 850200 | 2 | • • Switch | |
| 19 | | X | • • CABLES AND TERMINALS | SEE GROUP 3 |
| 20 | 876037 | 2 | • Relay kit | |
| 21 | 946177 | 4 | • Screw | |
| 22 | 947536 | 4 | • Nut | |
| 23 | 182009 | 2 | • Coupling piece | |
| 24 | 855352 | 2 | Neutral posit contac | (828414). MAIN STATION. |
| | 855352 | 2 | Neutral posit contac | (828378). SECOND STATION. |
| 25 | 850200 | 2 | • Switch | |
| 26 | | X | • • CABLES AND TERMINALS | SEE GROUP 3 |
| 27 | 946177 | 4 | • Screw | |
| 28 | 947536 | 4 | • Nut | |