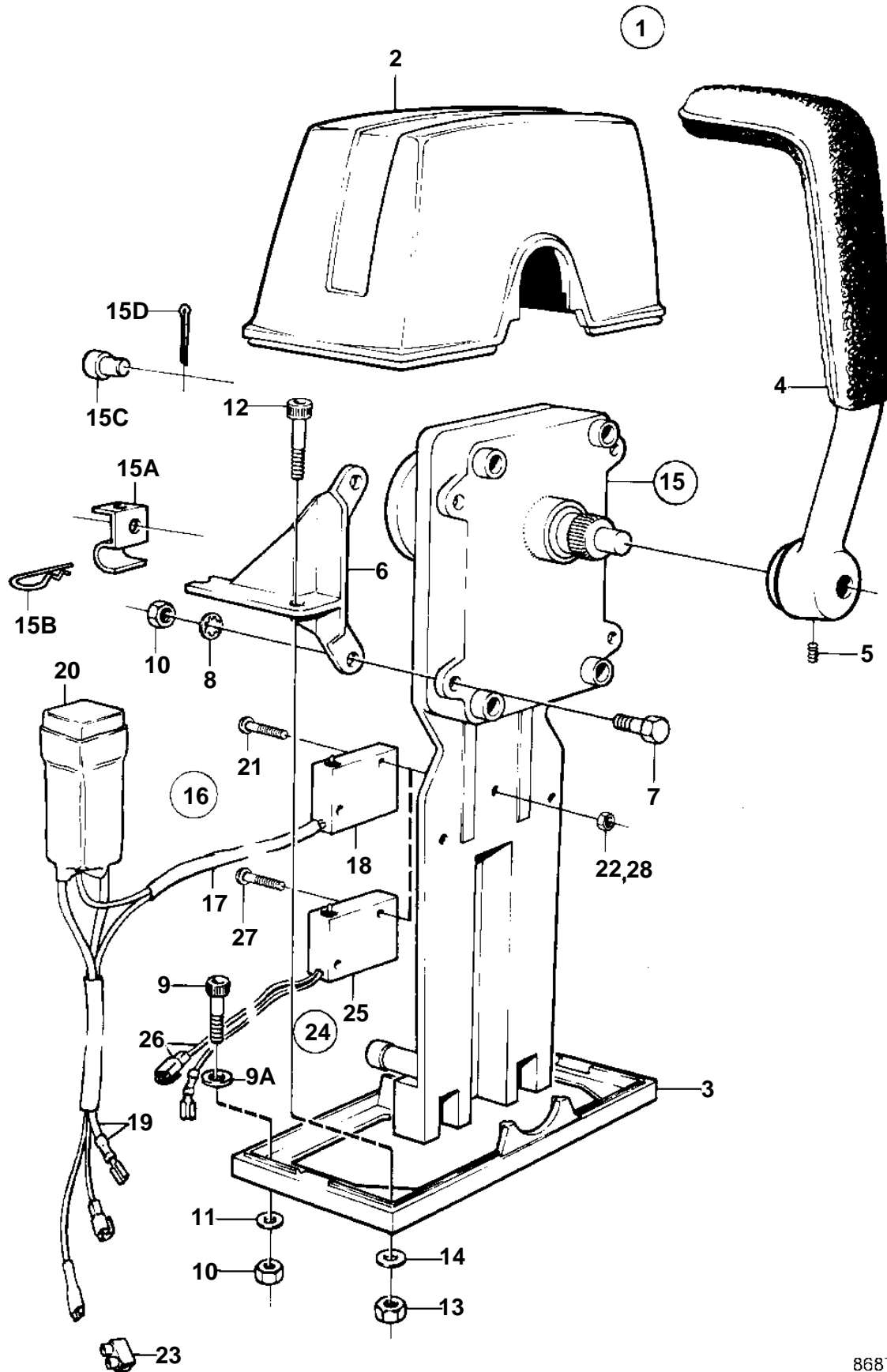


COMMON



8687

COMMON

REF	PART NO.	QTY	DESCRIPTION	NOTES
1	851602	1	Mounting kit	FOR SINGLE INSTALLATION.
2	839472	1	• Cover	IK
3	839474	1	• Plate	IK
4	839475	1	• Lever	IK
5	839693	1	• Lock screw	IK M8
9	947671	4	• Allen head screw	IK
9A	940090	2	• Washer	IK
10	955780	4	• Nut	IK
11	960138	4	• Washer	IK
15	851600	1	Control	LATE TYPE
15A	853423	1	• Retainer	
15B	852924	1	• Clip	
15C	839638	2	• Cube	
15D	17253	2	• Cotter pin	
16	855352	1	Neutral posit contac	(839641)
17	839619	1	• Cable kit	
18	850200	1	• • Switch	
19		X	• • CABLES AND TERMINALS	SEE GROUP 3
20	876037	1	• Relay kit	
21	946177	2	• Screw	
22	947536	2	• Nut	
23	182009	1	• Coupling piece	
24	855352	1	Neutral posit contac	(828414). MAIN STATION.
	855352	1	Neutral posit contac	(828378). SECOND STATION.
25	850200	1	• Switch	
26		X	• • CABLES AND TERMINALS	SEE GROUP 3
27	946177	2	• Screw	
28	947536	2	• Nut	