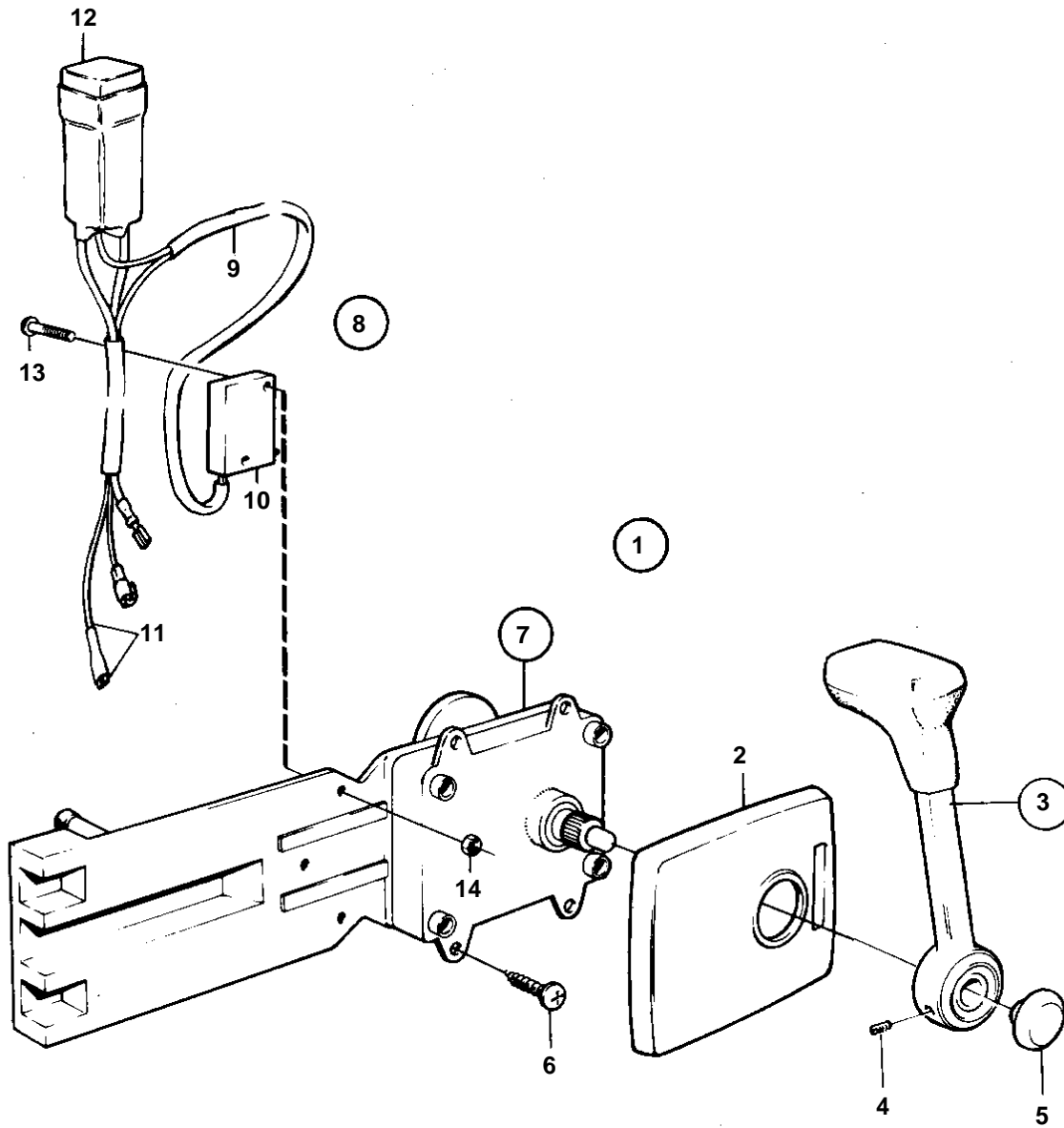


COMMON



7999

COMMON

| REF | PART NO. | QTY | DESCRIPTION | SEE SEC. | NOTES |
|-----|----------|-----|--------------------------|----------|-------------|
| 1 | 853102 | 1 | Mounting kit | | |
| 2 | 1140048 | 1 | • Cover | IK | (839518) |
| 3 | 852347 | 1 | • Lever | IK | |
| | | | | | 090-1135 |
| 4 | 963678 | 1 | • • Screw | | |
| 5 | 853004 | 1 | • Push button | IK | |
| 6 | 955142 | 4 | • Screw | IK | |
| 7 | 851601 | 1 | Control | | |
| | | | | | 090-1100 |
| 8 | 855352 | 1 | Neutral posit contac | | (839641) |
| 9 | 839619 | | Cable kit | | |
| 10 | 850200 | | Switch | | |
| 11 | | X | • • CABLES AND TERMINALS | | SEE GROUP 3 |
| 12 | 876037 | 1 | • Relay kit | | |
| 13 | 946177 | 2 | • Screw | | |
| 14 | 947536 | 2 | Nut | | |