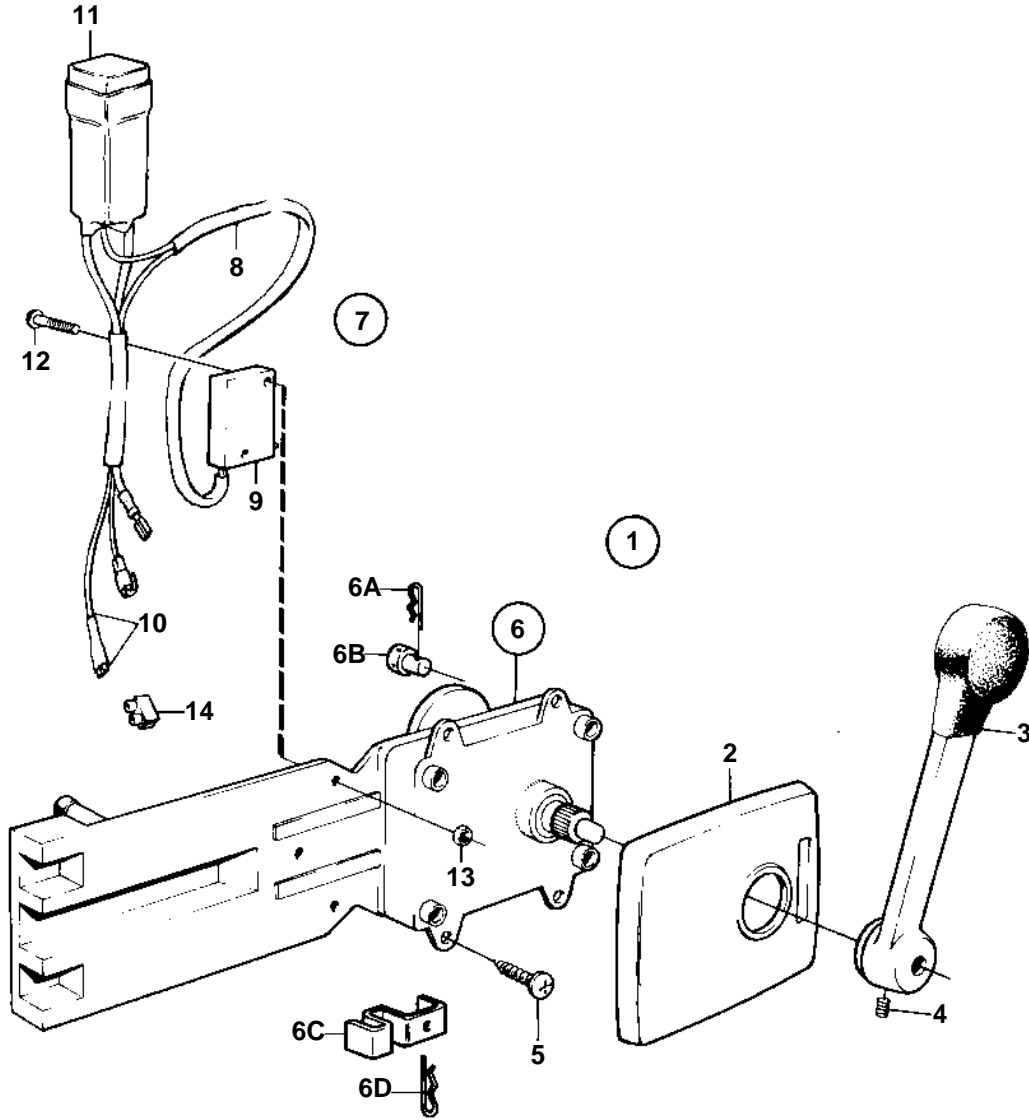


COMMON



8686

## COMMON

REF	PART NO.	QTY	DESCRIPTION	NOTES
1	851604	1	Mounting kit	
2	1140048	1	· Cover	IK (839518)
3	839520	1	· Lever	IK
4	839693	1	· Lock screw	IK
5	955142	4	· Screw	IK
6	851601	1	Control	LATE TYPE
6A	17253	2	· Cotter pin	
6B	839638	2	· Cube	
6C	853423	1	· Retainer	
6D	852924	1	· Clip	
7	839641	1	Neutral posit contac	
8	839619	1	· Cable kit	
9	850200	1	· · Switch	
10		X	· · CABLES AND TERMINALS	SEE GROUP 3
11	876037	1	· Relay kit	
12	946177	2	· Screw	
13	947536	2	· Nut	
14	182009	1	· Coupling piece	