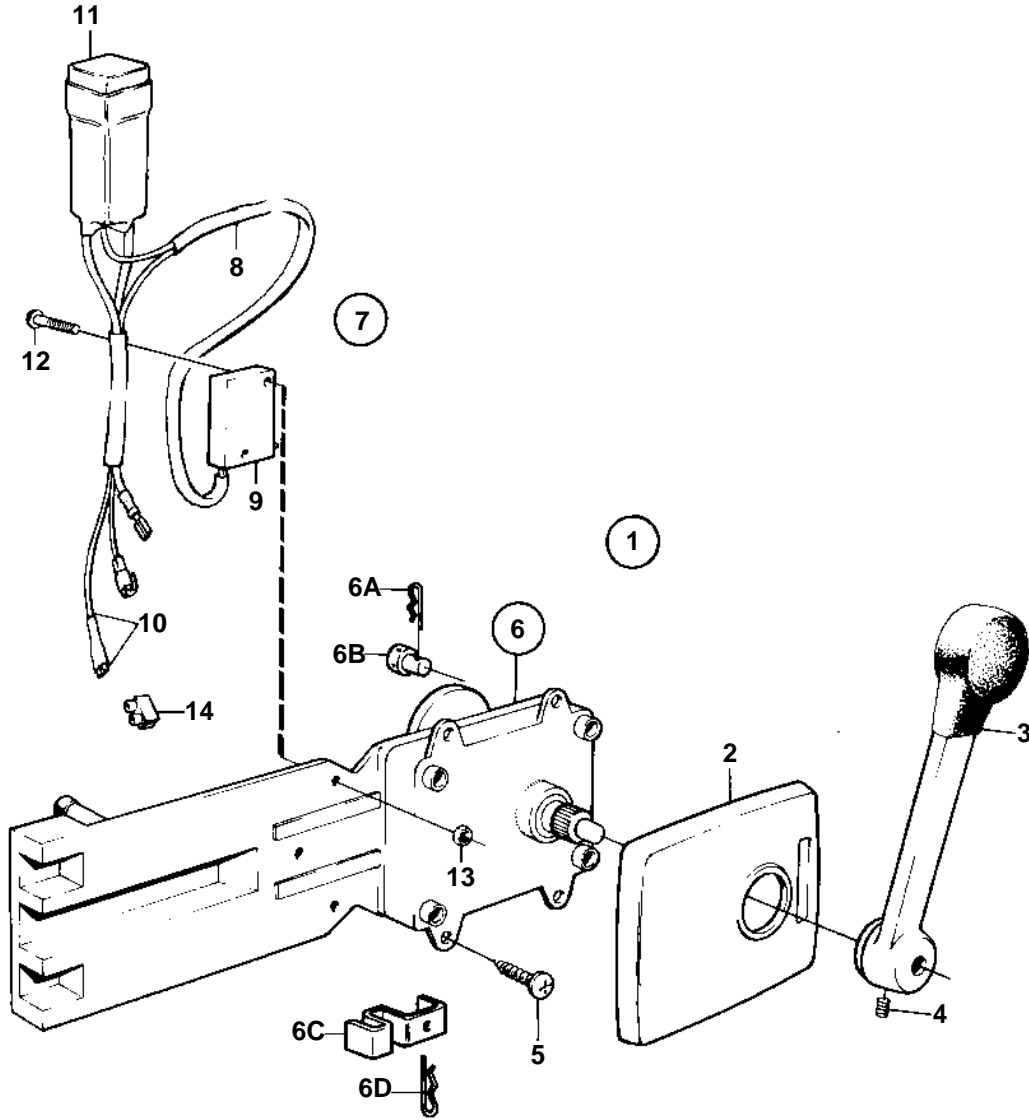


COMMON



8686

COMMON

REF	PART NO.	QTY	DESCRIPTION	SEE SEC.	NOTES
1	839515	1	Mounting kit		REPL BY 851604
2	1140048	1	· Cover	IK	(839518)
3	839520	1	· Lever	IK	
4	839693	1	· Lock screw	IK	
5	955142	4	· Screw	IK	
6	839469	1	Control		EARLY TYPE
				090-1200	
7	839641	1	Neutral posit contac		
8	839619	1	· Cable kit		
9	850200	1	· · Switch		
10		X	· · CABLES AND TERMINALS		SEE GROUP 3
11	876037	1	· Relay kit		
12	946177	2	· Screw		
13	947536	2	· Nut		
14	182009	1	· Coupling piece		