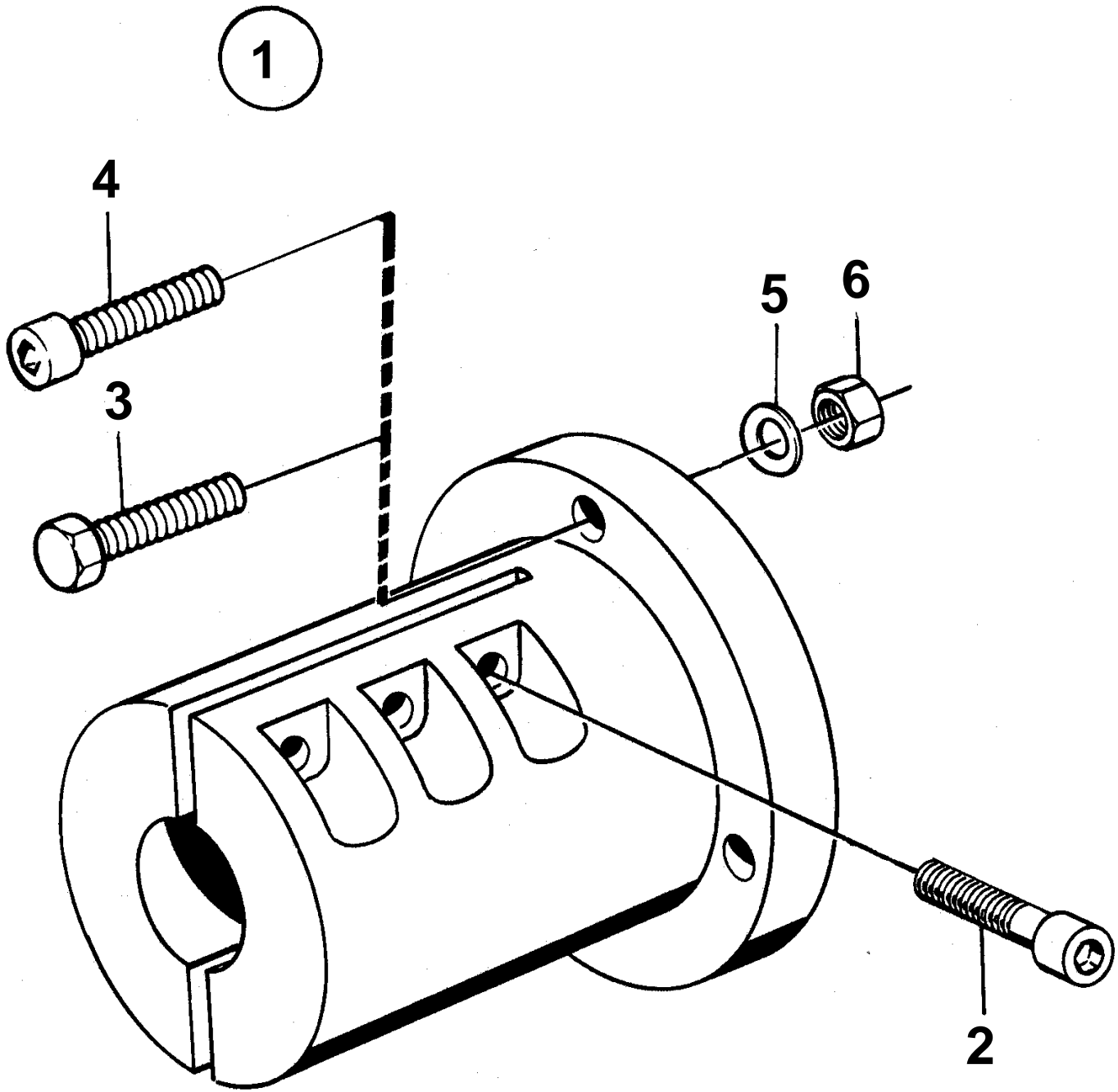


COMMON



11038

COMMON

REF	PART NO.	QTY	DESCRIPTION	NOTES
1	858019	1	Clamp coupling	25,4MM(1 INCH) HOLE FOR PROPELLER SHAFT.
2	949068	6	• Screw	
3	955319	4	• Screw	L = 35 MM
4	959239	4	• Screw	L = 30 MM
5	941908	4	• Spring washer	
6	955783	4	• Nut	