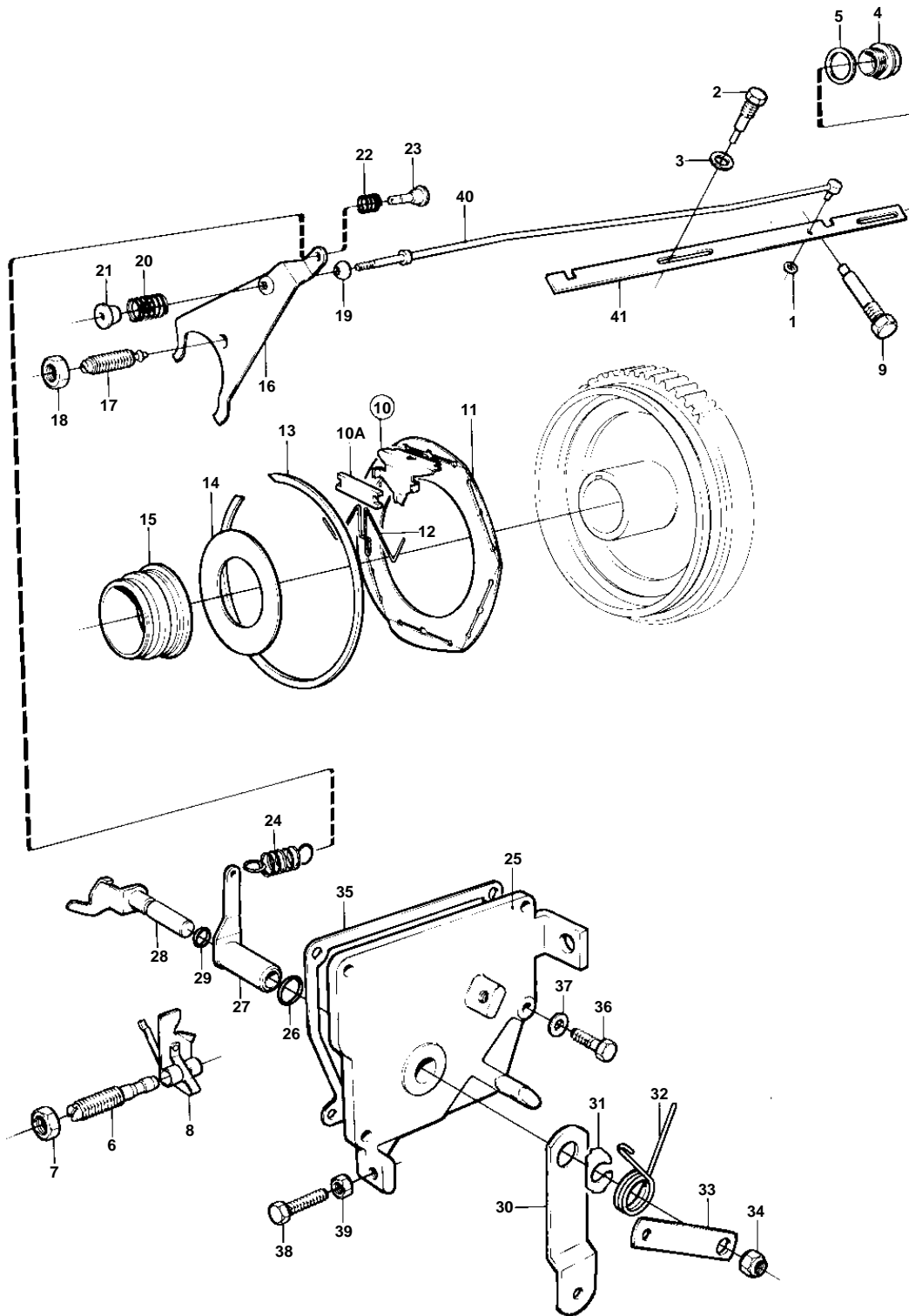


2002,2002B,2002D,2003,2003B,2003D



6609

2002,2002B,2002D,2003,2003B,2003D

REF	PART NO.	QTY	DESCRIPTION	NOTES
1	951665	1	Retaining ring	
2	840489	2	Screw	
3	947620	2	Gasket	
4	840652	1	Plug	
5	18813	1	Gasket	
6	840653	1	Shaft	
7	963917	1	Nut	
8	840482	1	Latch	
9	840312	2	Screw	2002,2002B,2002D
	840312	3	Screw	2003,2003B,2003D
10	875771	1	Regulator kit	
10A		6	· WEIGHT	
11		1	· HOLDER	
12		3	· LOCKING WIRE	
13	943760	1	Snap ring	
14	840433	1	Thrust washer	
15	840658	1	Sliding sleeve	
16	840659	1	Control arm	
17	840660	1	Adjuster screw	
18	963917	1	Nut	
19	840661	1	Ball	
20	840451	1	Spring	
21	840470	1	Nipple	
22	840662	1	Spring	
23	840487	1	Nipple	
24	840449	1	Regulator spring	
25	840435	1	Cover	
26	955974	1	O-ring	
27	840436	1	Lever	
28	840663	1	Stop arm	
29	955979	1	O-ring	
30	840666	1	Lever	SEE GROUP 2D
31	840812	1	Snap ring	
32	840801	1	Spring	
33	840667	1	Lever	SEE GROUP 2D
34	963105	1	Nut	
35	859053	1	Gasket	IK
36	955272	4	Screw	
37	949607	4	Spring washer	
38	955272	3	Screw	
39	955781	3	Nut	
40	840599	1	Link rod	
41	840551	1	Control rod	2002,2002B,2002D
	840582	1	Control rod	2003,2003B,2003D