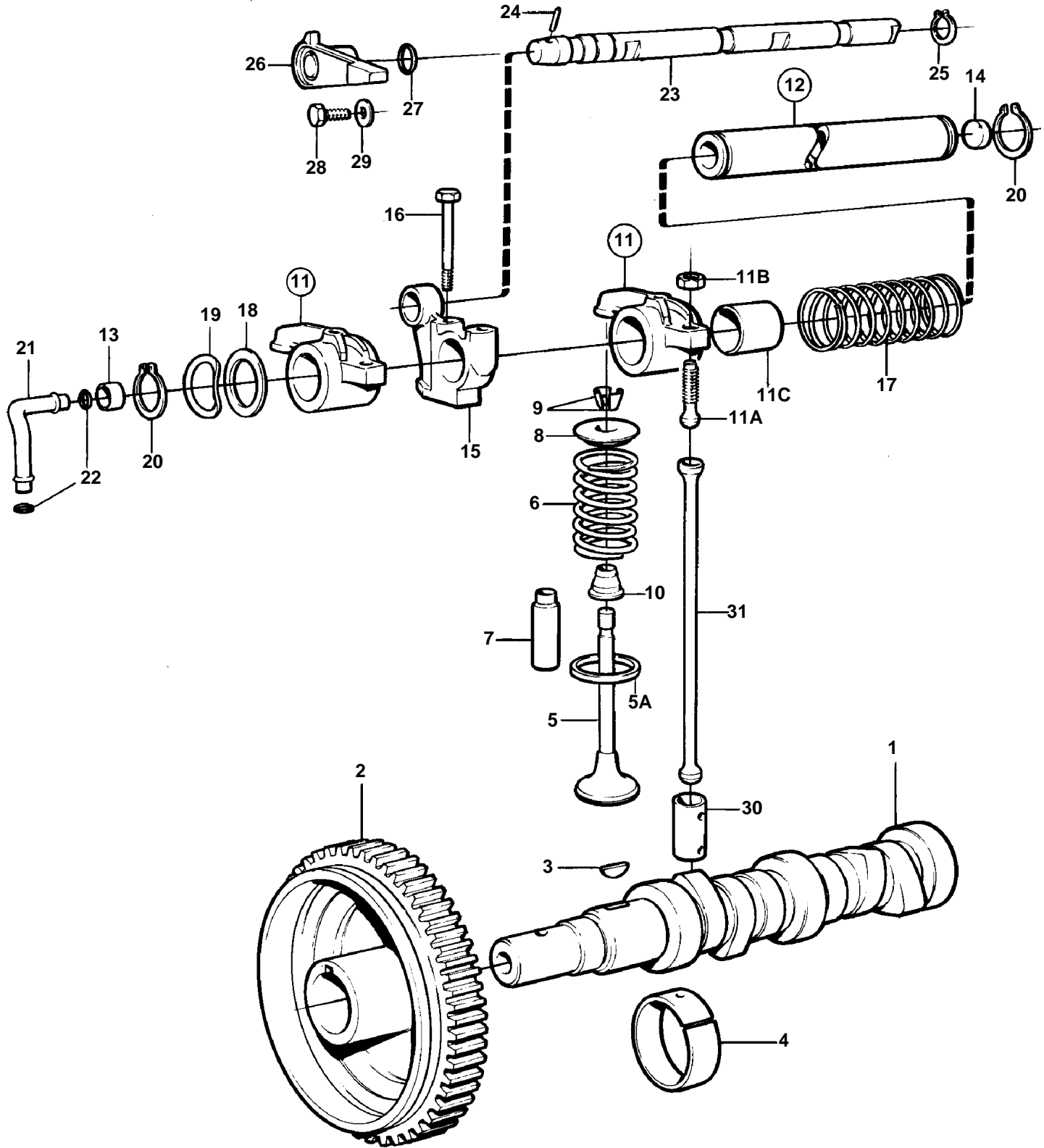


2002,2002B,2002D,2002AG,2002BG



2002,2002B,2002D,2002AG,2002BG

REF	PART NO.	QTY	DESCRIPTION	NOTES
1	859383	1	Camshaft	
2	858269	1	Gear	
3	910118	1	Woodruff key	
4	463360	3	Bushing	**
5	860074	2	Valve, INTAKE	
	860075	2	Valve, EXHAUST	
5A	858461	2	Valve seat	
6	838081	4	Valve spring	
7	840281	4	Valve guide	
8	859610	4	Valve spring washer	
9	403315	8	Lock	
10	859171	4	Valve stem seal	
11	418298	2	Rocker arm, INTAKE	
	418301	2	Rocker arm, EXHAUST	
11A	418286	4	· Ball stud	INCLUDED IN ROCKER ARMS 418301 AND 418298.
11B	921781	4	· Nut	INCLUDED IN ROCKER ARMS 418301 AND 418298.
11C	418297	4	· Bushing	INCLUDED IN ROCKER ARMS 418301 AND 418298.
12	840426	1	Rocker arm shaft	
13	840444	1	· Sleeve	
14	955083	1	· Cap plug	
15	840330	2	Bearing bracket	
16	955301	2	Screw	
17	418426	1	Spring	
18	400722	2	Washer	
19	840686	2	Washer	
20	914456	2	Lock ring	
21	840427	1	Intermediate pipe	
22	969198	2	O-ring	IK
23	860746	1	Shaft	SN-2300059084. NOT USED ON AG, BG ENGINES.
24	951945	1	Spring pin	SN-2300059084. NOT USED ON AG, BG ENGINES.
25	914446	2	Lock ring	SN-2300059084. NOT USED ON AG, BG ENGINES.
26	840590	1	Lever	SN-2300059084
27	955976	1	O-ring	IK SN-2300059084
28	940102	1	Screw	SN-2300059084
29	960138	1	Washer	SN-2300059084
30	840409	4	Tappet	
31	840408	4	Push rod	