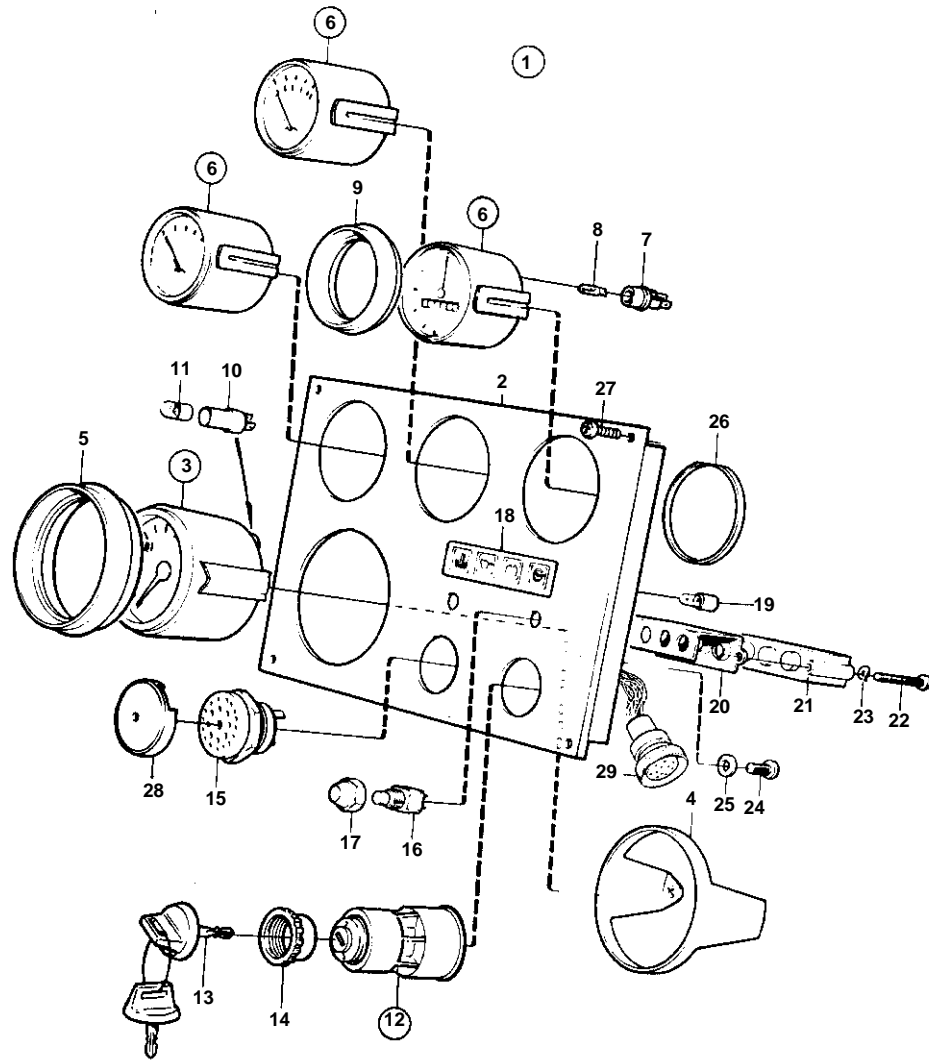


2002,2002B,2003,2003B,2003T,2003TB



9715

2002,2002B,2003,2003B,2003T,2003TB

REF	PART NO.	QTY	DESCRIPTION	SEE SEC.	NOTES
1	864038	1	Instrument panel		WHITE COLOURED DECOR STRIPE.
2	860182	1	• Instrument panel		
3	854913	1	• Tachometer		(864024)
4	849523	1	• • Attaching ring		
5	858644	1	• Front ring		
6	863932	1	• Thermometer		
	863934	1	• Oil pressure gauge		
	863930	1	• Voltmeter		
7	863945	3	• • Bulb socket		
8	863946	3	• • Bulb		RED
9	858643	3	• Front ring		
10	808175	1	• Bulb socket		
11	19923	1	• Bulb		
12	864277	1	• Starter switch		
13	859953	2	• • Key		STATE KEY CODE WHEN ORDERING
			• • Bulletin 49-30	49-30-EN	Key P/N 859953
14	859955	1	• • Plastic nut		
15	828587	1	• Buzzer		
16	828584	1	• Switch		TEST ALARM
	828585	1	• Switch		LIGHTING
17	828586	2	• Button		
18	858645	1	• Symbol strip		
19	19923	4	• Bulb		
20	828784	1	• Reflector		
21	828783	1	• Electronic unit		
22	941615	2	• Screw		
23	941904	2	• Spring washer		
24	949947	1	• Screw		
25	941904	1	• Spring washer		
26	828803	3	• Ring		
27	828647	4	• Screw		
28	858795	1	• Protecting casing		
29	828646	1	• Cable trunk		
		X	• CABLES AND TERMINALS	030-1351	
		X	• ELECTRICAL MATERIALS	030-1352	