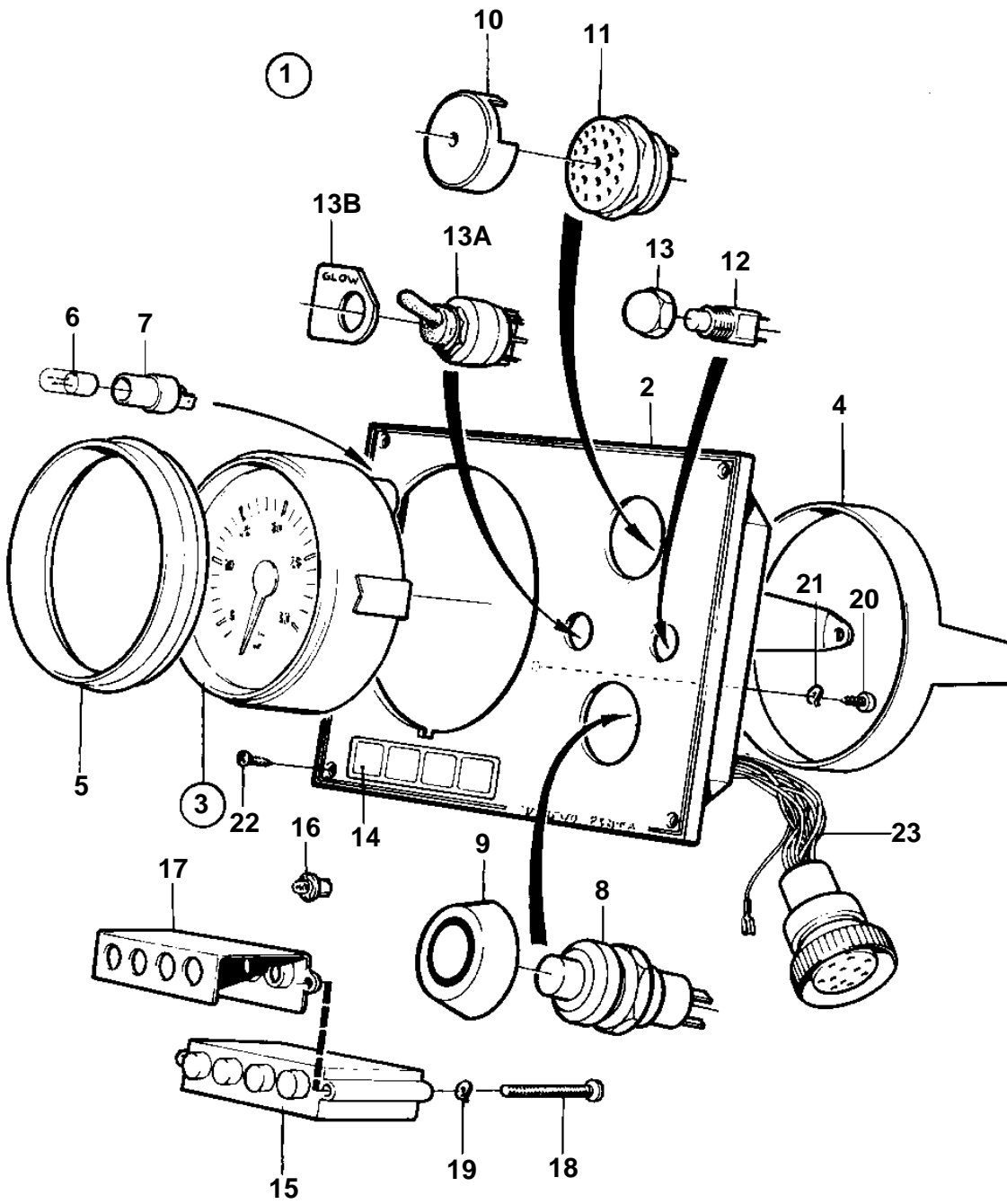


2002D,2003D



11359

2002D,2003D

REF	PART NO.	QTY	DESCRIPTION	NOTES
1	872797	1	Instrument panel	
2	872798	1	· Instrument panel	
3	858557	1	· Rev counter kit	SEE GROUP 9
4	828558	1	· · Attaching ring	
5	858644	1	· Front ring	
6	19923	1	· Bulb	
7	808175	1	· Bulb socket	
8	843684	1	· Button	
9	837533	1	· Rubber cap	
10	858795	1	· Protecting casing	
11	828587	1	· Buzzer	
12	828585	1	· Switch	POWER ON/OFF
13	828586	1	· Button	
13A	872800	1	· Switch	TEST ALARM/GLOW
13B	872771	1	· Decal	
14	858645	1	· Symbol strip	
15	828783	1	· Electronic unit	
16	19923	4	· Bulb	
17	828784	1	· Reflector	
18	941615	2	· Screw	
19	941904	2	· Spring washer	
20	949947	1	· Screw	
21	941904	1	· Spring washer	
22	828647	4	· Screw	
23	872801	1	· Cable kit	