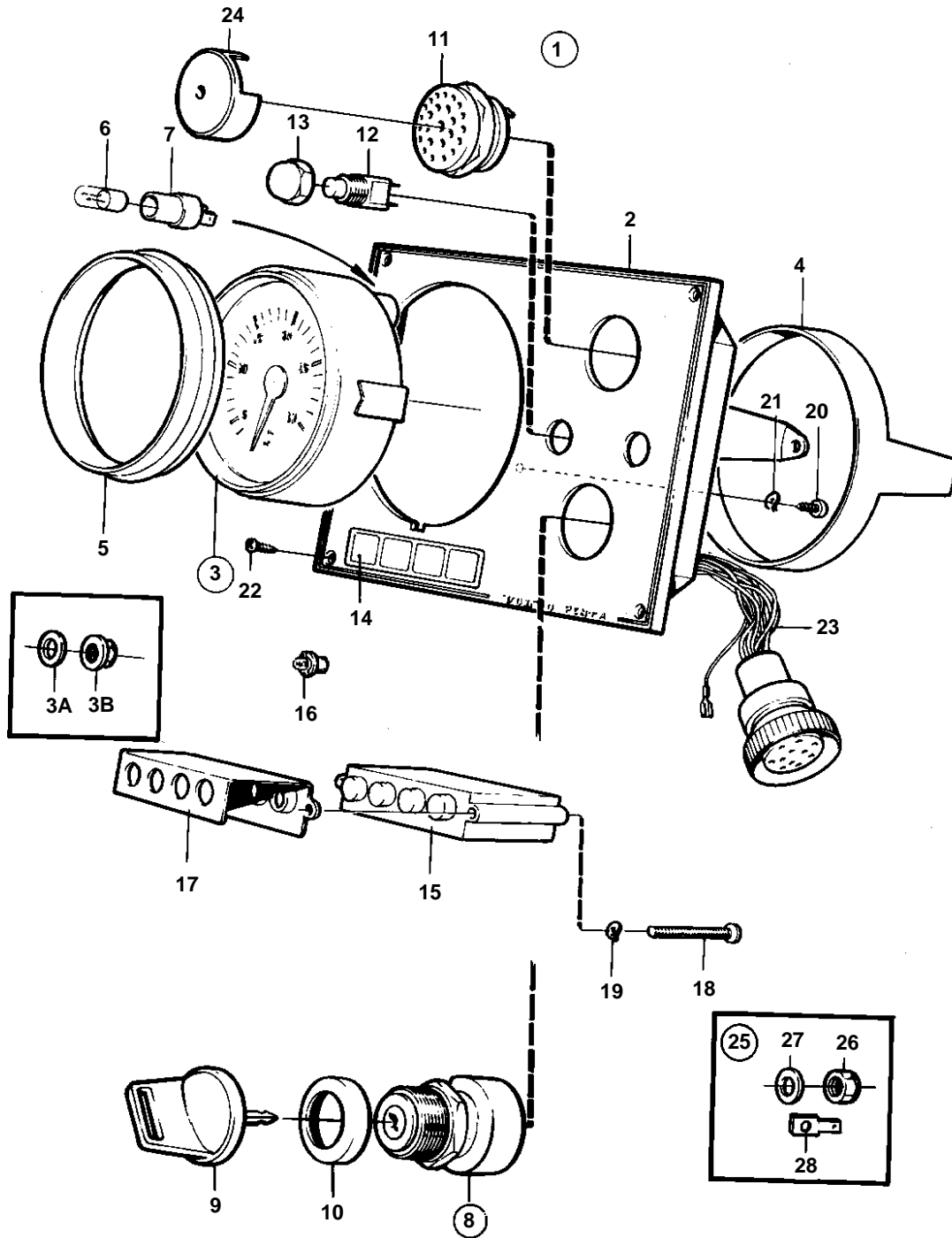


2002,2003,2003T



8295

2002,2003,2003T

REF	PART NO.	QTY	DESCRIPTION	SEE SEC.	NOTES
1	858017	1	Instrument panel		2002,2003. GOLD COLOURED DECOR STRIPE.. REPLACED BY INSTRUMENT PANEL 858871 AND CONVERSION KIT 876139
2	858646	1	· Instrument panel		(828583)
3	828602	1	· Tachometer		REPL BY 858557 SEE GROUP 9
	858557	1	· Rev counter kit		
3A	941904	1	· · Spring washer		
3B	955779	1	· · Nut		
4	828558	1	· Attaching ring		
5	858644	1	· Front ring		(828559)
6	19923	1	· Bulb		
7	808175	1	· Bulb socket		
8	828778	1	· Starter switch		
9	828676	2	· · Key		
10	1581184	1	· Round nut		
11	828587	1	· Buzzer		
12	828584	1	· Switch		ALARM
	828585	1	· Switch		LIGHTING
13	828586	2	· Button		
14	858645	1	· Symbol strip		(828560)
15	828783	1	· Electronic unit		
16	19923	4	· Bulb		
17	828784	1	· Reflector		
18	941615	2	· Screw		
19	941904	2	· Spring washer		
20	949947	1	· Screw		
21	941904	1	· Spring washer		
22	828647	4	· Screw		
23		X	· CABLES AND TERMINALS	030-1351	