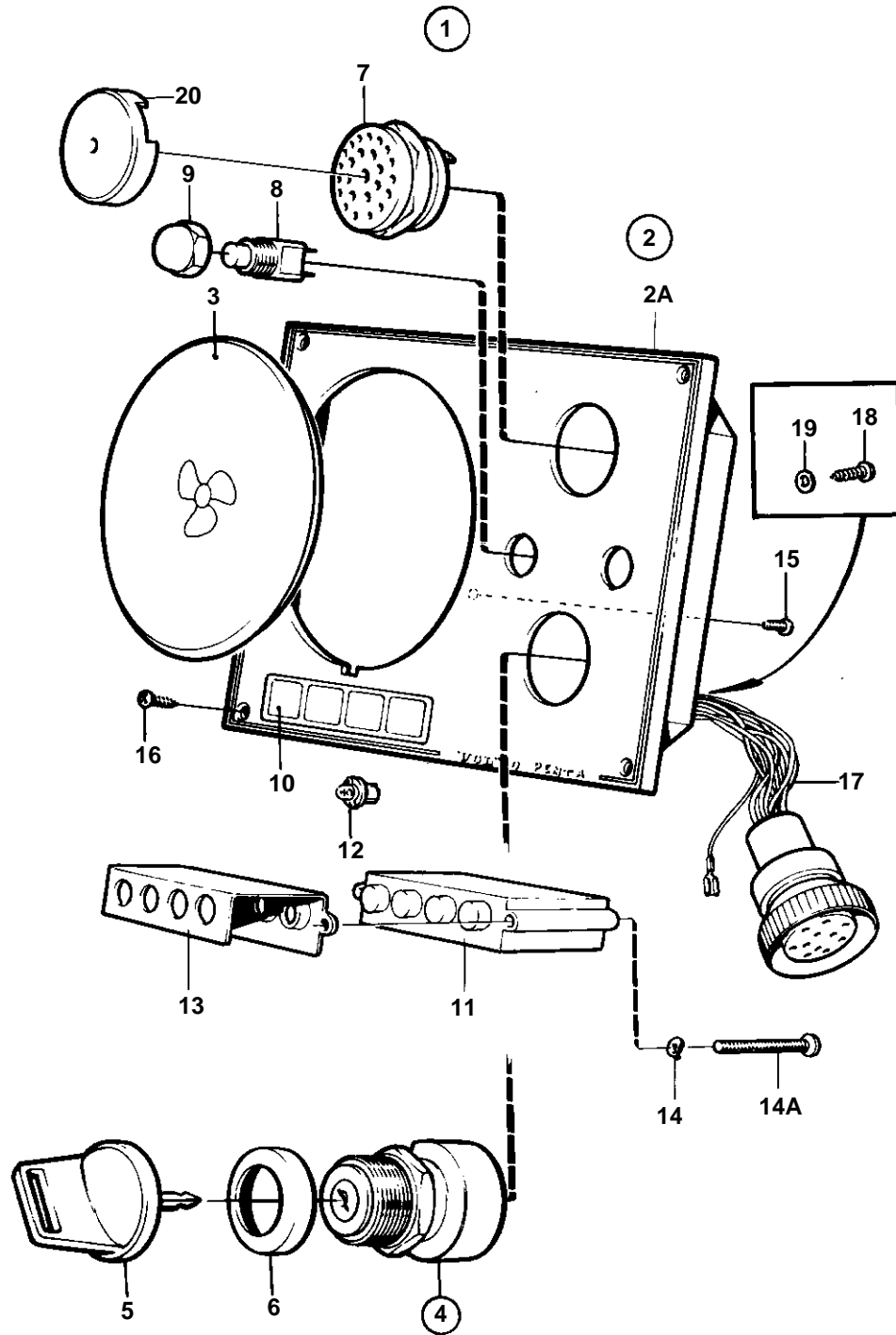


2001,2002,2003



9752

2001,2002,2003

REF	PART NO.	QTY	DESCRIPTION	SEE SEC.	NOTES
1	840922	1	Instrument panel		REPL BY 858870. GOLD COLOURED DECOR STRIPE.
2	858040	1	· Instrument panel		
2A	858646	1	· · Instrument panel		(828583)
3	828592	1	· · Plastic plug		
4	828778	1	· Starter switch		(828582)
5	828676	2	· · Key		STATE KEY CODE WHEN ORDERING
6	1581184	1	· Round nut		
7	828587	1	· Buzzer		
8	828584	1	· Switch		ALARM
	828585	1	· Switch		
9	828586	2	· Button		
10	858645	1	· Symbol strip		(828560)
11	828783	1	· Electronic unit		
12	19923	1	· Bulb		12 V
13	828784	1	· Reflector		
14	941904	2	· Spring washer		
14A	941615	2	· Screw		
15	949947	1	· Screw		(966832)
16	828647	4	· Screw		
17		X	· CABLES AND CABLE TERMINALS	030-1351	
18	949947	1	· Screw		
19	941904	1	· Spring washer		
20	858795	1	· Protecting casing		