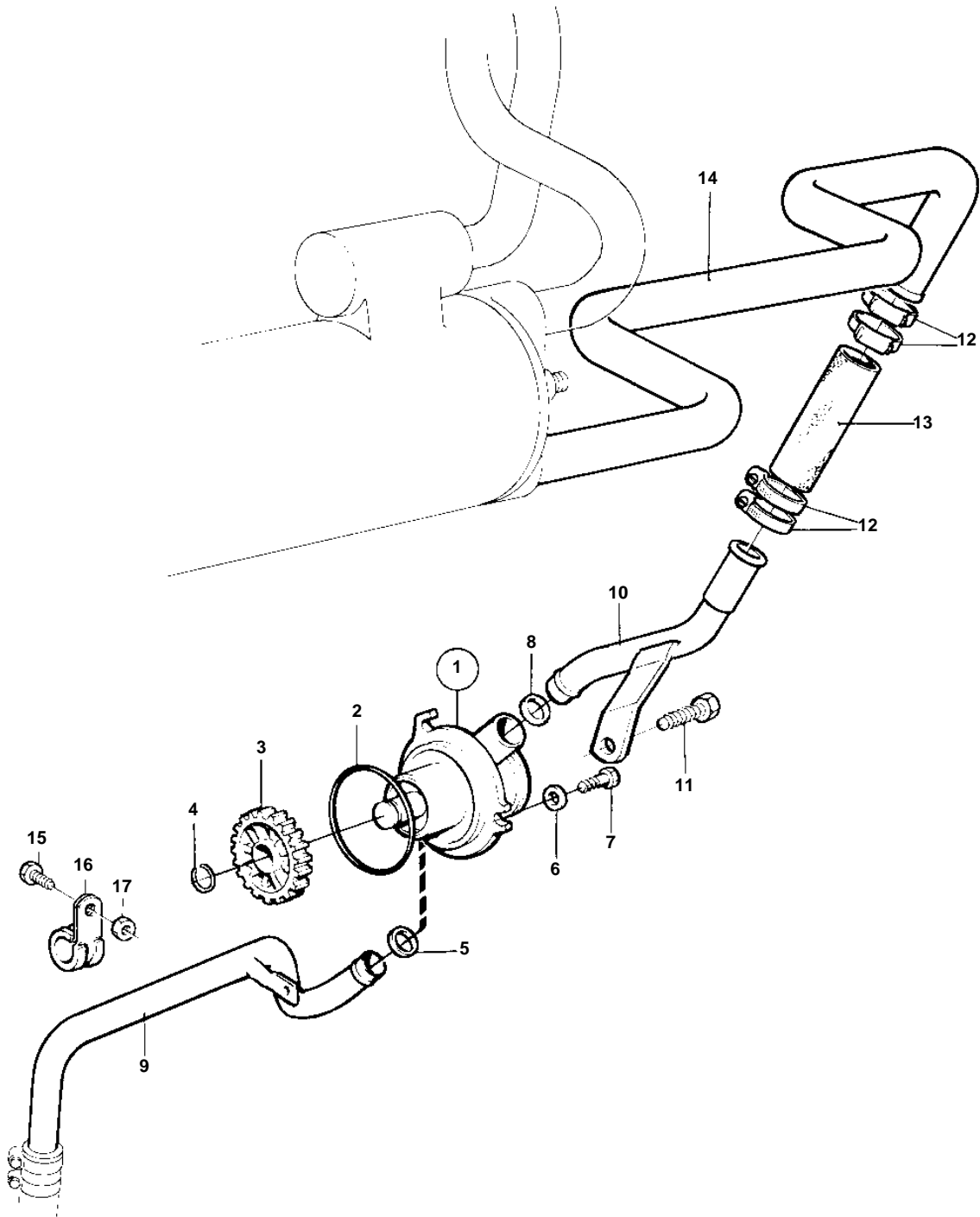


2002,2002B,2002AG,2002BG,2003,2003B,2003AG,2003BG



11017

SEA WATER PUMP WITH INSTALL. COMPS. FRESHWATER-COOLED ENGINE

02B

2002,2002B,2002AG,2002BG,2003,2003B,2003AG,2003BG

REF	PART NO.	QTY	DESCRIPTION	SEE SEC.	NOTES
1	840557	1	Sea water pump		
				02B-0675	
2	925093	1	O-ring		
3	858526	1	Gear		SEE GROUP 2A
4	914446	1	Lock ring		
5	829714	1	Seal		
6	955894	1	Washer		
7	955295	1	Screw		L = 20 MM
	955303	1	Screw		L = 65 MM
8	829714	1	Seal		
9	840749	1	Tube		SEE GROUP 4A. REVERSE GEAR-SEA WATER PUMP
10	840721	1	Coolant pipe		
11	955303	1	Screw		L = 65 MM
12	961665	4	Hose clamp		
13	952969	X	Rubber hose		L = 75 MM
14	840724	1	Coolant pipe	02B-0785	
15	955269	1	Screw		
16	952627	1	Clamp		
17	955781	1	Nut		