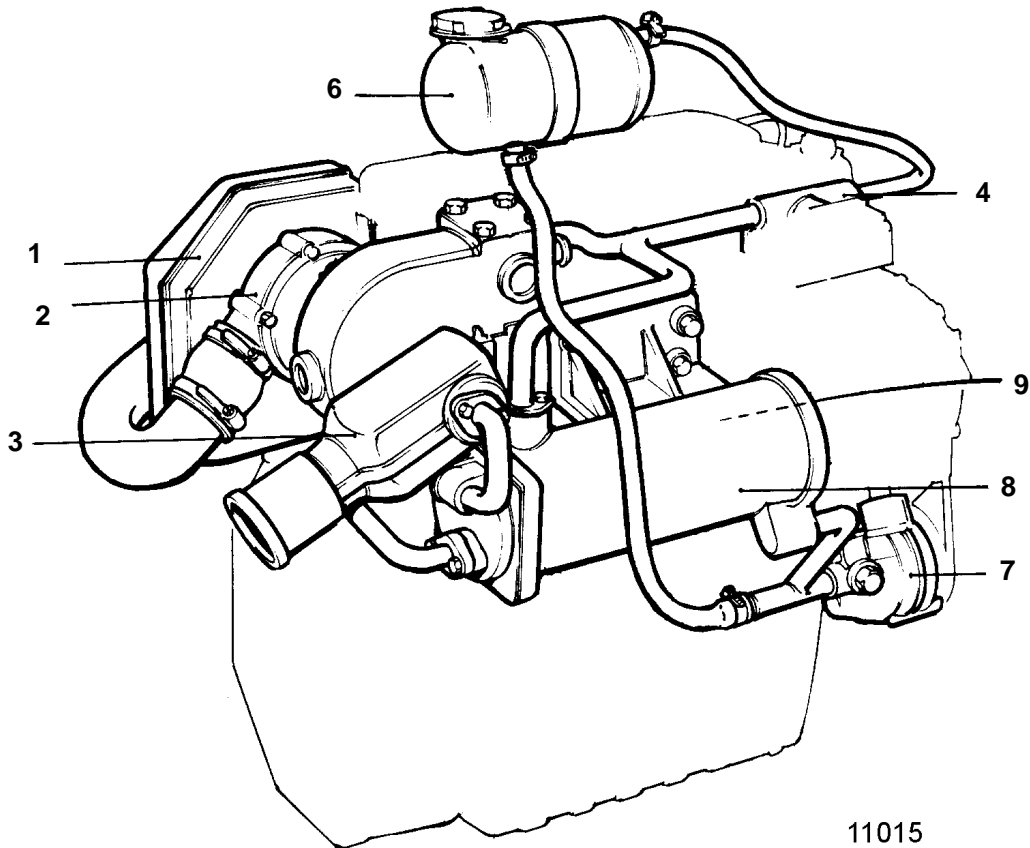
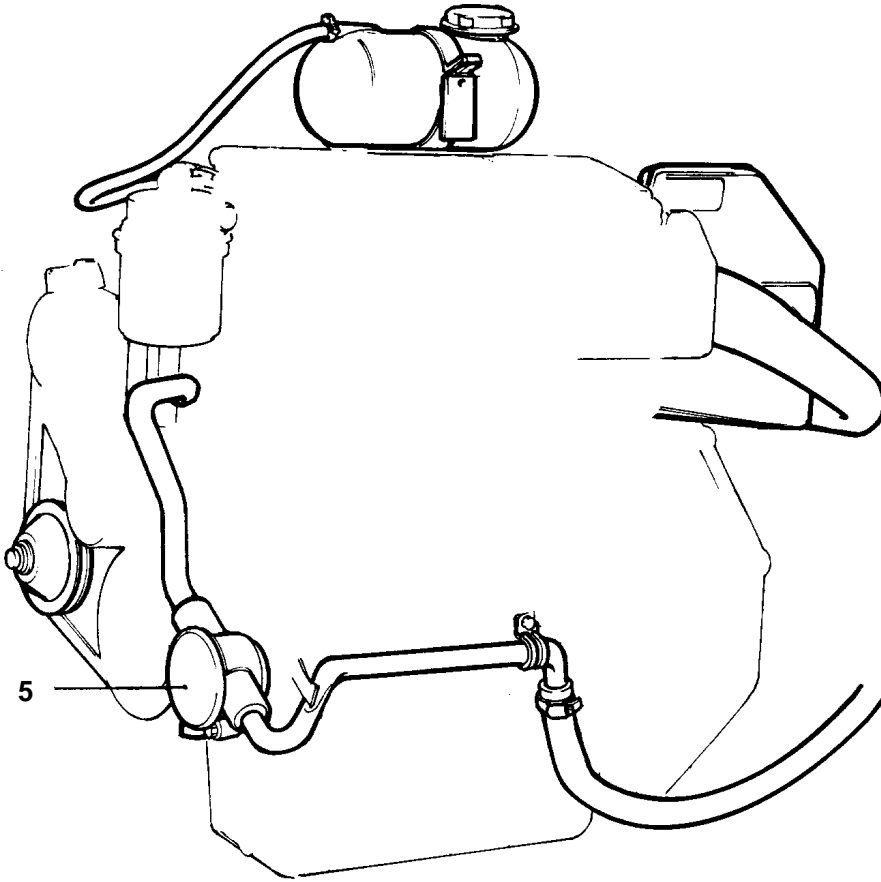


2003T



11015

2003T

REF	QTY	DESCRIPTION	SEE SEC.
1	1	INLET MUFLER WITH INSTALLATION COMPONENTS	02B-0390
2	1	TURBO WITH INSTALLATION COMPONENTS	02B-0390
3	1	EXHAUST BEND WITH INSTALLATION COMPONENTS	02B-0390
4	1	THERMOSTAT HOUSING WITH INSTALLATION COMPONENTS	02B-0390
5	1	SEA WATER PUMP WITH INSTALLATION COMPONENTS	02B-0550
6	1	EXPANSION TANK WITH INSTALLATION COMPONENTS	02B-0695
7	1	CIRCULATION PUMP WITH INSTALLATION COMPONENTS	02B-0755
8	1	HEAT EXCHANGER WITH INSTALLATION COMPONENTS	02B-0790
9	1	OIL COOLER WITH INSTALLATION COMPONENTS	02B-0800