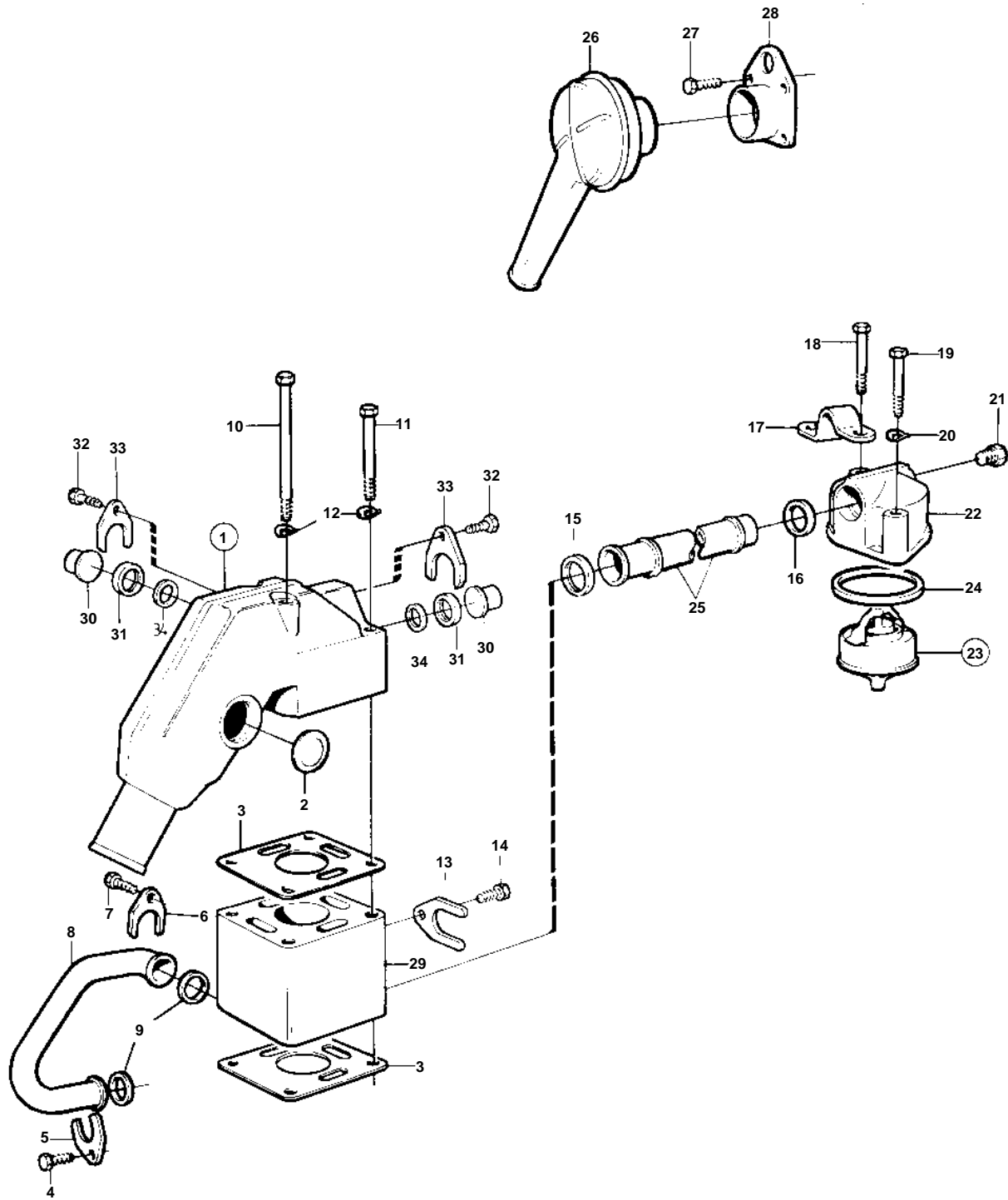


2002,2003



**COOL. SYST, INDUCT. A EXH. MANIFOLD. SEAWATER-COOLED ENGINE.
EXH RISER**

02B

2002,2003

REF	PART NO.	QTY	DESCRIPTION	NOTES
1	840690	1	Exhaust riser	
2	477026	2	· Expansion plug	(192426)
3	840902	2	Gasket	(3875050)
4	955269	1	Screw	
5	840676	1	Clamp	
6	840676	1	Clamp	
7	955269	1	Screw	
8	840719	1	Tube	
9	418445	2	Sealing ring	
10	955312	2	Screw	L = 150 MM
11	955309	2	Screw	L = 120 MM
12	941907	4	Spring washer	
13	840740	1	Clamp	
14	955269	1	Screw	
15	418445	1	Sealing ring	
16	418411	1	Sealing ring	
17		1	LIFT IRON	
18	955300	1	Screw	L = 50 MM
19	955299	1	Screw	L = 45 MM
20	941907	1	Spring washer	
21	180759	1	Plug	
22	840675	1	Thermostat housing	
23	875779	1	Thermostat kit	60%Z9 C
24	416033	1	· Sealing ring	
25	840679	1	Coolant pipe	
26	840691	1	Muffler	
27	955271	1	Screw	
28	840840	1	Connection flange	
29	840891	1	Exhaust riser	
30	840797	2	Plug	
31	418445	2	Sealing ring	
32	955269	2	Screw	
33	840676	2	Clamp	
34	943194	2	Washer	