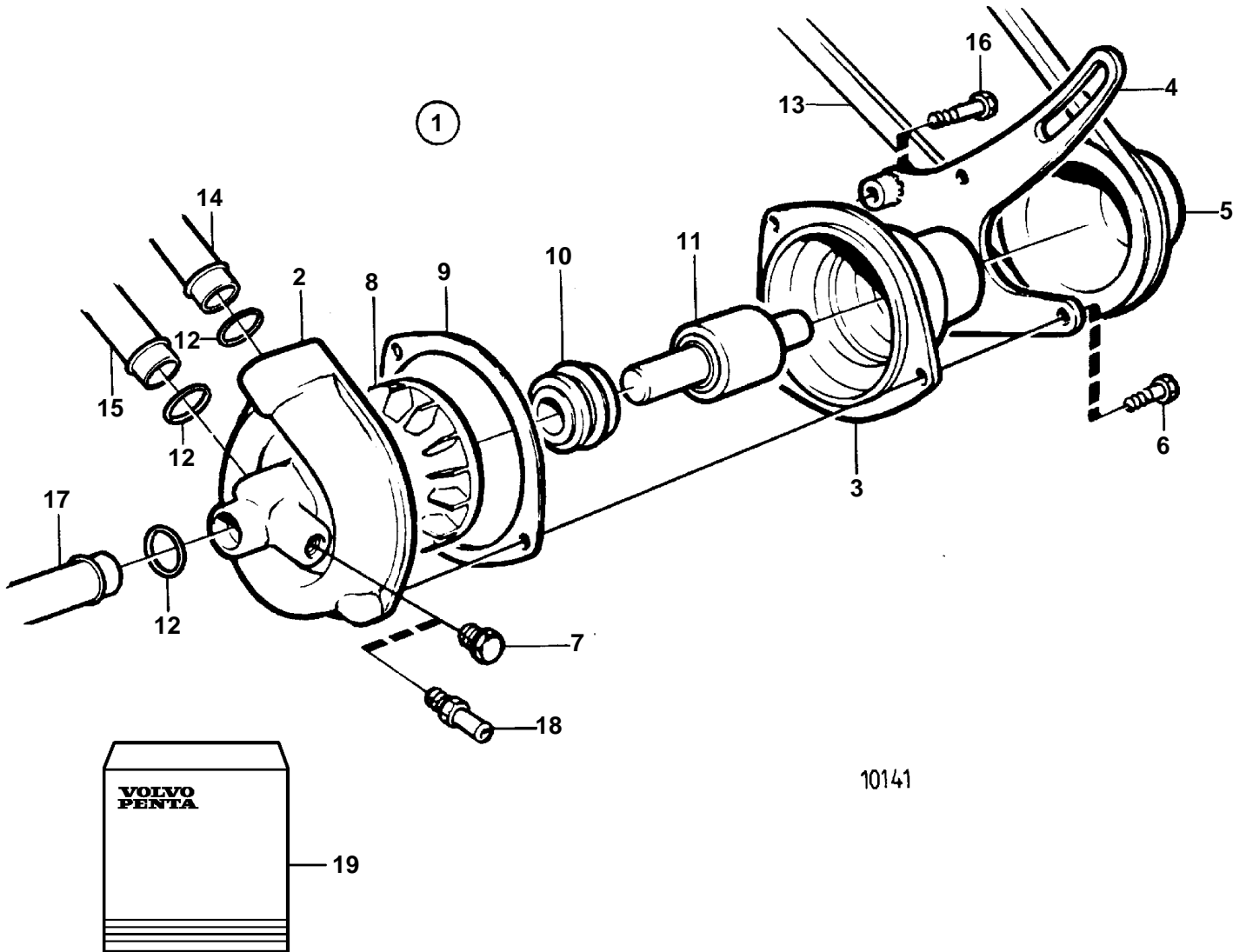


2002B,2002BG,2003B,2003BG,2003TB



10141

2002B,2002BG,2003B,2003BG,2003TB

| REF | PART NO. | QTY | DESCRIPTION | NOTES |
|-----|----------|-----|------------------------|---|
| 1 | 860358 | 1 | Circulation pump | |
| 2 | | 1 | · PUMP HOUSING | |
| 3 | | 1 | · BEARING HOUSING | |
| 4 | 840711 | 1 | · Bracket | |
| 5 | | 1 | · PULLEY | |
| 6 | 955276 | 3 | · Screw | L = 35 MM |
| 7 | 949246 | 1 | · Plug | |
| 8 | 840709 | 1 | · Pump rotor | IK INCLUDED IN REPAIR KIT 876270 FOR CIRC. PUMP 860358. |
| 9 | 840795 | 1 | · Gasket | IK INCLUDED IN REPAIR KIT 876270 FOR CIRC. PUMP 860358. |
| 10 | | 1 | · PUMP SEALING | IK INCLUDED IN REPAIR KIT 876270 FOR CIRC. PUMP 860358. |
| 11 | 860359 | 1 | · Water pump bearing | IK INCLUDED IN REPAIR KIT 876270 FOR CIRC. PUMP 860358. |
| 12 | 418411 | 3 | Sealing ring | IK INCLUDED IN REPAIR KIT 876270 FOR CIRC. PUMP 860358. |
| 13 | 966906 | 1 | V-belt | |
| 14 | 840737 | 1 | Coolant pipe | CIRCULATION PUMP-CYLINDER HEAD |
| 15 | 840739 | 1 | Coolant pipe | CYLINDER HEAD-CIRCULATION PUMP |
| 16 | 955305 | 3 | Screw | L = 75 MM |
| 17 | 840729 | 1 | Coolant pipe | 2002B,2002BG. EXPANSION TANK-HEAT EXCHANGER-CIRCULATION PUMP |
| | | | | 2003B,2003BG |
| | 860532 | 1 | Coolant pipe | 2003TB. EXPANSION TANK-HEAT EXCHANGER-TURBO-CIRCULATION PUMP. |
| 18 | 961653 | 1 | Nipple, HEATHER OUTLET | |
| 19 | 876270 | 1 | Repair kit, CIRC. PUMP | |