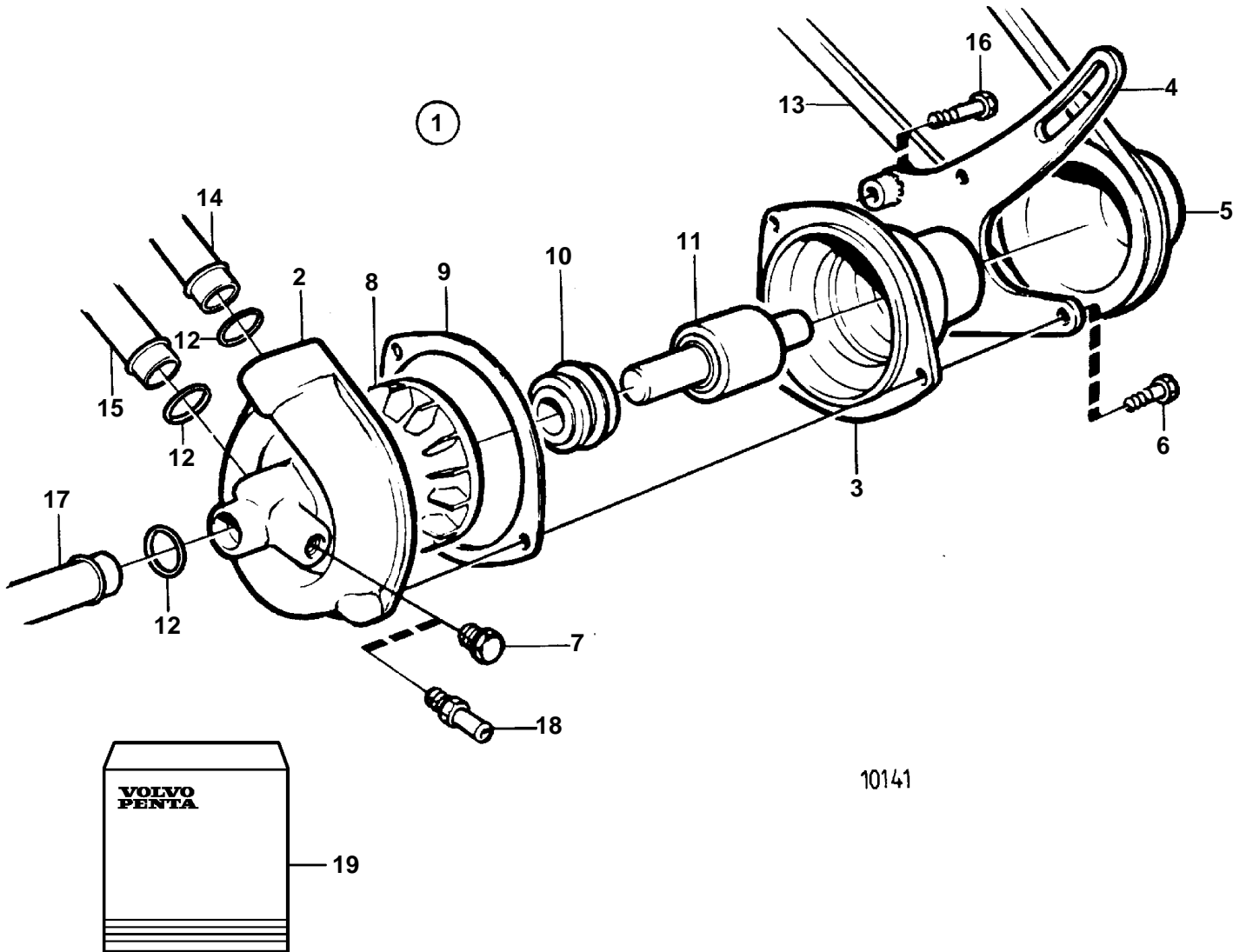


2002,2002AG,2003,2003AG,2003T



2002,2002AG,2003,2003AG,2003T

REF	PART NO.	QTY	DESCRIPTION	NOTES
1	860358	1	Circulation pump	
2		1	· PUMP HOUSING	
3		1	· BEARING HOUSING	
4	840711	1	· Bracket	
5		1	· PULLEY	
6	955276	3	· Screw	L = 35 MM
7	949246	1	· Plug	
8	840709	1	· Pump rotor	IK INCLUDED IN REPAIR KIT 876270 FOR CIRCULATION PUMP 840710 AND 860358.
9	840795	1	· Gasket	IK INCLUDED IN REPAIR KIT 876270 FOR CIRCULATION PUMP 840710 AND 860358.
10		1	· PUMP SEALING	IK INCLUDED IN REPAIR KIT 876270 FOR CIRCULATION PUMP 840710 AND 860358.
11	860359	1	· Water pump bearing	IK INCLUDED IN REPAIR KIT 876270 FOR CIRCULATION PUMP 840710 AND 860358.
12	418411	3	Sealing ring	IK INCLUDED IN REPAIR KIT 876270 FOR CIRCULATION PUMP 840710 AND 860358.
13	966906	1	V-belt	
14	840737	1	Coolant pipe	CIRCULATION PUMP-CYLINDER HEAD
15	840739	1	Coolant pipe	CYLINDER HEAD-CIRCULATION PUMP
16	955305	3	Screw	L = 75 MM
17	840729	1	Coolant pipe	2002,2002AG. EXPANSION TANK-HEAT EXCHANGER-CIRCULATION PUMP
				2003,2003AG
	840952	1	Tube	2003T. EXPANSION TANK-HEAT EXCHANGER-CIRCULATION PUMP
18	961653	1	Nipple, HEATHER OUTLET	
19	876270	1	Repair kit, CIRC. PUMP	(876152)