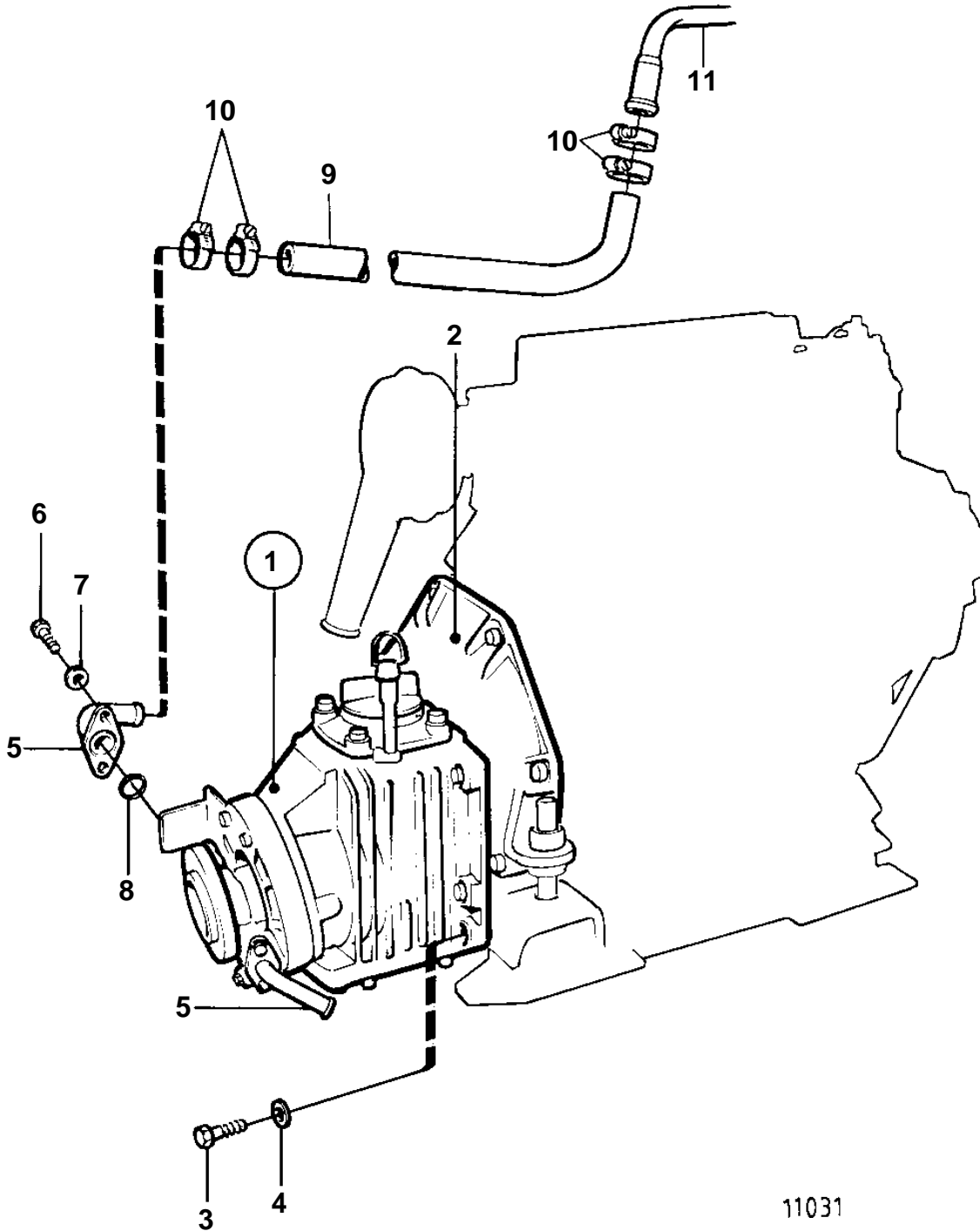


2001,2001B,2002,2002B,2002D,2003,2003B,2003D,2003T,2003TB



2001,2001B,2002,2002B,2002D,2003,2003B,2003D,2003T,2003TB

REF	PART NO.	QTY	DESCRIPTION	NOTES
1		1	REVERSE GEAR MS2B-R COMPONENTS	RATIO 2,37:1 SEE GROUP 4B
		1	REVERSE GEAR MS2B-R COMPONENTS	RATIO 3,02:1 SEE GROUP 4B
		1	REVERSE GEAR MS2B-L COMPONENTS	RATIO 2,30:1 SEE GROUP 4B
2	840714	1	Flywheel housing	SEE GROUP 2A
3	970950	6	Screw	(955320)
4	941908	6	Spring washer	
5	840509	2	Hose connection	
6	955270	4	Screw	
7	941906	4	Spring washer	
8	418445	2	Sealing ring	IK (831960)
9	952969	X	Rubber hose	
10	961665	4	Hose clamp	
11	840802	1	Tube	2001,2001B. REVERSE GEAR-SEA WATER PUMP
	840749	1	Tube, PIPE	2002,2002B,2002D. REVERSE GEAR-SEA WATER PUMP 2003,2003B,2003D
	858162	1	Tube, PIPE	2003T,2003TB. REVERSE GEAR-SEA WATER PUMP SEE GROUP 2B