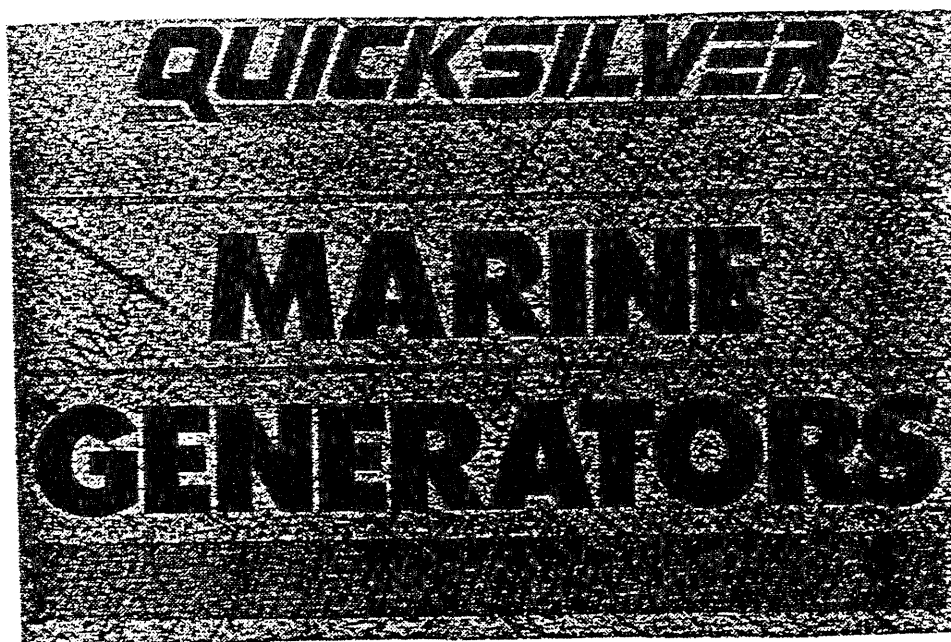


GENERAC

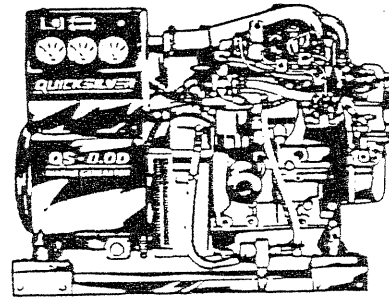
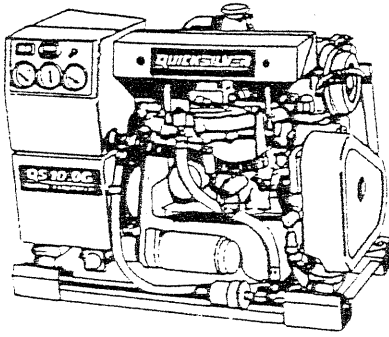
GENERATORS



QUICKSILVER PART NUMBER
TO
GENERAC PART NUMBER



MARINE GENERATORS



TITLE OF MANUAL	PART NO.	PRICE	DESCRIPTION
Installation Manual- Marine Generators	82032	\$5.00	Installation requirements for marine generators.
Marine Generators Service Manual- Gas Engine Models	82033	\$15.00	Manual covers operational analysis, troubleshooting and repair of the AC generator. Also includes troubleshooting and repair of engine systems, and more.
Marine Generators Service Manual- Diesel Engine Models	82034	\$15.00	Covers operational analysis, troubleshooting and repair of the AC generator and the diesel engine systems.
Rotor and Stator Resistance Tables	87971	\$2.00	Lists nominal resistance values for rotors and stators.
Cross Reference- Quicksilver to Generac Part Numbers	90245	\$2.00	Cross reference listings of "Quicksilver" part numbers to "Generac" part numbers.

Marine Generator Master Repair Manual Set

Price: \$35.00

Part No. MAS 85896

A complete set of repair and reference manuals for marine applications. The set includes the following:

- Manual 46941, "Basic Electricity".
- Manual 46961, "Controlling Electricity".
- Manual 82032, "Installation Manual- Marine Generators".
- Manual 82033, "Service Manual- GAS Marine Generator".
- Manual 82034, "Service Manual- DIESEL Marine Generator".
- Manual 87971, "Rotor & Stator Resistance Tables".
- Manual 90245, "Cross Reference- Quicksilver Part Numbers to Generac Part Numbers".
- Bulletin Y-484, "Warranty Policies, Procedures and Flat Rate (U.S., Canada)".
- Bulletin Y-496, "Service Parts Policies Booklet".
- Parts Information Bulletins (PIB's)
- Parts Update Bulletins (PUB's)
- Warranty Information Bulletins (WIB's)
- Quick Reference Booklet

The Reliable Ones

GENERAC CORPORATION • P.O. BOX 8 • WAUKESHA, WI 53187
414/544-4811 • FAX 414/544-4851

**MARINE GASOLINE
GENERATOR**

QS-4.0G QS-5.0G

QS-6.5G QS-7.5G

QS-8.0G QS-10-0G

SERIAL NUMBERS

United StatesB991000 and up

CROSSOVER MANUAL

QUICKSILVER TO GENERAC PART NUMBER

QUICKSILVER	GENERAC	DESCRIPTION
19726	09030-0	REMOTE PANEL, GAS
19727	09029	REMOTE PANEL, DIESEL
19728	08990-0	OPTIONAL GAUGE PACKAGE, DIESEL
32193A2	72557	COIL, IGNITION
65057A1	70966	CONTACTOR, STARTER
71587A2	69852	COOLANT RECVR TANK
842-810000	100-69828	BLOCK ASSY-CYLINDER
10-810001	101-69828	BOLT-MAIN BEARING CAP
10-810002	102-69828	BOLT-MAIN BEARING CAP
10-810003	103-69828	BOLT-MAIN BEARING CAP
22-810004	104-69828	PLUG, OIL GALLERY
27-810005	105-69828	GASKET
810006	106-69828	VALVE-OIL PRESSURE REGULATOR
16-810007	107-69828	STUD-OIL FILTER
91-810008	74078	PULLER, REAR BRG, PULLER
37-810009	70918-A	DECAL, QS-4.0G
37-810010	70918-B	DECAL, QS-6.5G
22-810011	111-69828	PLUG
17-810012	112-69828	DOWEL PIN
22-810013	113-69826	PLUG
84-810014	355-69828	CABLE SET-HIGH TENSION
10-810015	74086	DOWEL-BLOCK TO TRANSMISSION
26-810016	116-69828	OIL SEAL
810017	117-69828	OIL PAN
22-810018	118-69828	DRAIN PLUG
12-810019	119-69828	WASHER-DRAIN PLUG
27-810020	120-69828	GASKET SET-OIL PAN
22-810021	39450	ELBOW
810022	122-69828	SEAL-OIL PAN, REAR
22-810022	26073-A	PIPE PLUG
10-810023	123-69828	BOLT-HEX
10-810024	124-69828	BOLT-HEX
10-810025	125-69828	BOLT-HEX
10-810026	126-69828	BOLT-HEX
11-810027	127-69828	NUT
13-810028	128-69828	LOCK WASHER
810029	129-69828	RETAINER-CRANKSHAFT, REAR
26-810030	130-69828	SEAL OIL, CRANKSHAFT REAR
27-810031	131-69828	GASKET-RETAINER
10-810032	132-69828	SCREW
810033	133-69828	THERMOSTAT HOUSING
16-810034	134-69828	STUD
16-810035	135-69828	STUD
26-810036	136-69828	SEAL-ENGINE REAR PLATE
810037	137-69828	BRACKET ENGINE, FRONT
11-810038	138-69828	NUT-HEX
12-810039	139-69828	WASHER
27-810040	140-69828	GASKET-THERMOSTAT HOUSING
810041	141-69828	COVER ASSY-FRONT
25-810042	142-69828	GROMMET-FRONT COVER
27-810043	143-69828	GASKET-DUST COVER, LOWER
27-810044	144-69828	GASKET-FRONT COVER

10-810045	145-69828	BOLT-HEX
810046	146-69828	COVER ASSY-DUST, UPPER
27-810047	147-69828	GASKET-DUST COVER, UPPER
27-810048	148-69828	GASKET-COVER
27-810049	149-69828	GASKET-COVER
23-810050	150-69828	COLLAR-FRONT COVER
938-810051	151-69828	CYLINDER HEAD ASSY.
22-810052	152-69828	PLUG
22-810053	153-69828	PLUG
22-810054	154-69828	PLUG
22-810055	155-69828	PLUG
16-810056	156-69828	STUD
16-810057	157-69828	STUD
16-810058	158-69828	STUD
16-810059	159-69828	STUD
810060	160-69828	SEAT, INTAKE VALVE
810061	161-69828	SEAT, EXHAUST VALVE
810062	162-69828	GUIDE, INTAKE VALVE
810063	163-69828	GUIDE, EXHAUST VALVE
10-810064	164-69828	BOLT-CYLINDER HEAD, LONG
810065	165-69828	BOLT-CYLINDER HEAD, SHORT
22-810065	75795	ELBOW
10-810066	166-69828	BOLT-CYLINDER, SHORT
12-810067	167-69828	WASHER
27-810068	168-69828	GASKET-CYLINDER HEAD
810069	169-69828	CAP-CONNECTOR
54-810070	170-69828	CLAMP-HOSE
810071	171-69828	COVER ASSY-VALVE ROCKER
810072	172-69828	CAP-ROCKER COVER
27-810073	173-69828	GASKET-ROCKER COVER
11-810074	174-69828	NUT
36-810075	175-69828	CAP, OIL FILTER
431-810076	176-69828	CAMSHAFT ASSY
22-810077	177-69828	PLUG, CAMSHAFT
28-810078	178-69828	KEY-CAMSHAFT
810079	179-69828	RETAINER-ROCKER SHAFT
43-810080	180-69828	SPROCKET-CAMSHAFT
10-810081	181-69828	BOLT, CAMSHAFT SPROCKET
14-810082	182-69828	LOCK WASHER
810083	183-69828	TENSIONER ASSY-CHAIN
24-810084	184-69828	SPRING-TENSIONER
13-810085	185-69828	LOCK WASHER
11-810086	186-69828	NUT
57-810087	187-69828	TIMING BELT
810088	188-69828	INTAKE VALVE
810089	189-69828	EXHAUST VALVE
24-810090	190-69828	SPRING-VALVE, OUTER
810091	191-69828	SEAT-VALVE SPRING, OUTER
810092	192-69828	RETAINER-VALVE SPRING
28-810093	193-69828	KEY, VALVE SPRING
26-810094	194-69828	OIL SEAL VALVE
810095	195-69828	ROCKER SHAFT
19-810096	196-69828	PLUG
810097	197-69828	ROCKER SPRING

810098	198-69828	RETAINER-ROCKER PIVOT
810099	199-69828	RETAINER-ROCKER
16-810100	200-69828	STUD, ROCKER SHAFT
810101	201-69828	BRACKET-ROCKER SHAFT
12-810102	202-69828	WASHER
10-810103	203-69828	BOLT
810104	204-69828	VALVE, ROCKER
16-810105	205-69828	STUD, ROCKER SHAFT
11-810106	206-69828	NUT, ROCKER PIVOT SCREW
614-810107	207-69828	CONNECTING ROD COMPLETE
10-810108	208-69828	BOLT-CONNECTING ROD
11-810109	209-69828	NUT-CONNECTING ROD
737-810110	210-69828	PISTON, W/PIN
737-810111	211-69828	PISTON, W/PIN
39-810112	212-69828	RING SET-PISTON
23-810113	213-69828	BEARING-CONNECTING ROD
429-810114	214-69828	CRANKSHAFT ASSY
43-810115	215-69828	SPROCKET-CRANKSHAFT
28-810116	216-69828	KEY, CRANKSHAFT
39-810117	999-69828	PISTON RING
810118	218-69828	BOLT-FLYWHEEL
22-810118	70981	TEE
23-810119	219-69828	BEARING-CRANKSHAFT
23-810120	220-69828	BUSHING-CRANKSHAFT
27-810121	357-70939	GASKET
810122	222-69828	BEARING SET-CRANKSHAFT
10-810122	74076	SCREW
23-810123	223-69828	BEARING-CRANKSHAFT
23-810124	224-69828	BUSHING-CRANKSHAFT
12-810125	225-69828	THRUST WASHER, UPPER
810126	226-69828	GASKET-INTAKE MANIFOLD
88-810126	48512	CIRCUIT BREAKER
11-810127	74072	NUT
27-810128	228-69828	GASKET-EXHAUST MANIFOLD, A
810129	229-69828	OIL PUMP ASSY
16-810130	230-69828	STUD
10-810131	231-69828	BOLT
12-810132	232-69828	WASHER
810133	233-69828	OIL STRAINER
27-810134	234-69828	GASKET, OIL STRAINER
11-810135	235-69828	NUT
810136	236-69828	SPINDLE ASSY-OIL PUMP DRIVE
43-810137	237-69828	GEAR ASSY-DRIVE
810138	238-69828	SPRING-OIL REGULATOR
43-810139	239-69828	IDLER GEAR
810140	240-69828	SHAFT-IDLER GEAR
10-810141	241-69828	BOLT
810142	242-69828	SUPPORT-SPINDLE
10-810143	71753	SCREW
35-810144	244-69828	FILTER ASSY-OIL
810145	245-69828	GROMMET-FRONT COVER
84-810145	74821	WIRE
810146	246-69828	GASKET-DUST COVER, LOWER
88-810146	65089	FUSE, 14 AMP

842-810147	100-70939	CYLINDER BLOCK COMPL
19-810148	101-70939	EXPANSION PLUG
19-810149	102-70939	EXPANSION PLUG
19-810150	103-70939	EXPANSION PLUG
22-810151	104-70939	PLUG
22-810152	105-70939	PLUG
22-810153	106-70939	BLANK PLUG
810154	107-70939	IDLE GEAR SHAFT COMPL
23-810155	108-70939	BUSH
23-810156	109-70939	BUSH:S.T.D.
23-810157	110-70939	BUSH: U.S. 0.25
23-810158	111-70939	BUSH: U.S. 0.50
30-810159	112-70939	BEARING
19-810160	113-70939	EXPANSION PLUG
30-810161	114-70939	BALL BEARING
17-810162	115-70939	DOWEL PIN
17-810163	116-70939	DOWEL PIN
17-810164	117-70939	DOWEL PIN
17-810165	118-70939	SPRING PIN
16-810166	119-70939	STUD BOLT
16-810167	120-70939	STUD BOLT
16-810168	121-70939	STUD BOLT
27-810169	122-70939	GASKET
26-810170	123-70939	OIL SEAL
22-810171	124-70939	DRAIN COCK
22-810172	125-70939	CONNECTOR
35-810173	126-70939	OIL FILTER
810174	127-70939	TAPPET
810175	128-70939	PUSH ROD
810176	129-70939	RELIEF VALVE ASSY
25-810177	130-70939	O-RING
53-810178	131-70939	SNAP RING
810179	132-70939	BACK PLATE
10-810180	133-70939	BOLT
50-810181	134-70939	STARTER MOTOR, DIESEL
10-810182	135-70939	BOLT
12-810183	136-70939	WASHER
13-810184	137-70939	LOCK WASHER
11-810185	138-70939	NUT
810186	139-70939	OIL PAN
10-810187	140-70939	BOLT
10-810188	141-70939	BOLT
12-810189	142-70939	WASHER
810190	143-70939	DIPSTICK TUBE
25-810191	144-70939	O-RING
10-810192	145-70939	BOLT
810193	146-70939	DIPSTICK
938-810194	147-70939	CYLINDER HEAD ASSY
10-810194	72588	SKTHD M8-1.25X60
19-810195	148-70939	EXPANSION PLUG
19-810196	149-70939	EXPANSION PLUG
810197	150-70939	INTAKE VALVE
810198	151-70939	EXHAUST VALVE
810199	152-70939	VALVE GUIDE SEAL:EX

810200	153-70939	VALVE GUIDE SEAL:IN
24-810201	154-70939	SPRING
810202	155-70939	RETAINER
28-810203	156-70939	KEY
810204	157-70939	CAP
27-810205	158-70939	GASKET, CYL. HEAD 1.2 THICK
27-810206	159-70939	GASKET, CYL. HEAD 1.3 THICK
10-810207	160-70939	BOLT
10-810208	161-70939	HEAD BOLT
810209	162-70939	LIFTING EYE
10-810210	163-70939	BOLT
32-810211	164-70939	OIL PIPE
10-810212	165-70939	BOLT
810213	166-70939	OIL PRESSURE SWITCH
810214	167-70939	THERMO SWITCH
27-810215	168-70939	GASKET
12-810216	169-70939	SEAL WASHER
810217	170-70939	ROCKER ARM ASSY
810218	171-70939	ROCKER ARM:IN
810219	172-70939	ROCKER ARM:EX
16-810220	173-70939	STUD
11-810221	174-70939	NUT
810222	175-70939	ROCKER ARM BRACKET
810223	176-70939	ROCKER ARM SHAFT
24-810224	177-70939	SPRING
10-810225	178-70939	SCREW
17-810226	179-70939	SPRING PIN
11-810227	180-70939	NUT
16-810228	181-70939	STUD
27-810229	182-70939	GASKET, ROCKER COVER
27-810230	183-70939	GASKET, ROCKER COVER
810231	184-70939	ROCKER COVER
810232	185-70939	OIL STOPPER
35-810233	186-70939	SCREEN
11-810234	187-70939	NUT
36-810235	188-70939	CAP
25-810236	189-70939	O-RING
32-810237	190-70939	PIPE
32-810238	191-70939	TUBE
54-810239	192-70939	CLIP
429-810240	193-70939	CRANKSHAFT
43-810241	194-70939	GEAR, CRANKSHAFT
28-810242	195-70939	KEY
17-810243	196-70939	DOWEL PIN
810244	197-70939	BEARING HOLDER ASSY
10-810245	198-70939	BOLT
17-810246	199-70939	DOWEL PIN
810247	200-70939	BEARING HOLDER ASSY
810248	201-70939	BEARING HOLDER ASSY
23-810249	202-70939	BEARING-STANDARD
23-810250	203-70939	BEARING - 0.25 US
23-810251	204-70939	BEARING - 0.50
23-810252	205-70939	BEARING STANDARD
23-810253	206-70939	BEARING - 0.25 US

23-810254	207-70939
12-810255	208-70939
10-810256	209-70939
10-810257	210-70939
39-810258	211-70939
39-810259	212-70939
39-810260	213-70939
737-810261	214-70939
737-810262	215-70939
737-810263	216-70939
41-810264	217-70939
40-810265	218-70939
614-810266	219-70939
23-810267	220-70939
10-810268	221-70939
11-810269	222-70939
23-810270	223-70939
23-810271	224-70939
23-810272	225-70939
17-810273	226-70939
230-810274	227-70939
43-810275	228-70939
10-810276	229-70939
810277	230-70939
11-810278	231-70939
431-810279	232-70939
43-810280	233-70939
43-810281	234-70939
23-810282	235-70939
30-810283	236-70939
810284	237-70939
810285	238-70939
810286	239-70939
10-810287	240-70939
10-810288	241-70939
27-810289	242-70939
11-810290	243-70939
25-810291	244-70939
32-810292	245-70939
35-810293	246-70939
810294	247-70939
810295	248-70939
10-810296	249-70939
43-810297	250-70939
12-810298	251-70939
24-810299	252-70939
810300	253-70939
810301	254-70939
15-810302010	255-70939
15-810302015	532-70939
15-810302020	533-70939
15-810302050	258-70939
810303	256-70939
810303	74837

BEARING - 0.25 US
 THRUST WASHER
 BOLT
 BOLT
 PISTON RING
 PISTON RING
 PISTON RING
 PISTON KIT:STD
 PISTON KIT: O.S. 0.5
 PISTON KIT: O.S. 1.0
 PISTON PIN
 SNAP RING
 CONNECTING ROD ASSY
 BUSH
 CONNECTING ROD BOLT
 NUT
 BEARING STANDARD
 BEARING 0.25 US
 BEARING - 0.50 US
 SPRING PIN
 FLYWHEEL ASSY
 RING GEAR
 BOLT
 PULLEY, CRANKSHAFT
 NUT
 CAMSHAFT ASSY
 GEAR, CAM
 GEAR
 SPACER
 BEARING
 SLIDER
 PLATE
 TACHOMETER SHAFT
 BOLT
 BOLT
 GASKET
 NUT
 O-RING
 OIL PIPE
 SUCTION FILTER
 PULLEY
 PLATE
 BOLT
 IDLE GEAR ASSY
 THRUST WASHER
 SPRING
 ROTOR
 OIL PUMP COVER
 SHIM-0.10
 SHIM 0.15
 SHIM 0.20
 SHIM 0.50
 SHIM:T=0.15
 FUSE HOLDER

810304	257-70939	SHIM: T=0.20
810304	74897	BRACKET
810305	74050	CARB. REPAIR KIT
24-810306	259-70939	SPRING
810307	260-70939	COLLAR
53-810308	261-70939	SNAP RING
810309	262-70939	FRONT PLATE
27-810310	263-70939	GASKET
10-810311	264-70939	BOLT
46-810312	265-70939	WATER PUMP ASSY
22-810313	266-70939	PLUG
810314	267-70939	THERMOSTAT
24-810315	268-70939	SPRING
27-810316	269-70939	GASKET
810317	270-70939	SET PLATE
10-810318	271-70939	BOLT
27-810319	272-70939	GASKET
10-810320	273-70939	BOLT
10-810321	274-70939	BOLT
11-810322	275-70939	NUT
810323	276-70939	ADJUSTING PLATE
810324	277-70939	ALTERNATOR ASSY
10-810325	278-70939	BOLT
12-810326	279-70939	WASHER
12-810327	280-70939	WASHER
10-810328	281-70939	BOLT
10-810329	282-70939	BOLT
57-810330	283-70939	V-BELT
10-810331	284-70939	BOLT
810332	285-70939	HOUSING, TIMING GEAR
17-810333	286-70939	SPRING PIN
27-810334	287-70939	GASKET
26-810335	288-70939	OIL SEAL
810336	289-70939	GOVERNOR LEVER ASSY
810337	290-70939	TENSION LEVERL COMPL
53-810338	291-70939	SNAP RING
18-810339	292-70939	COTTER PIN
24-810340	293-70939	SPRING
810341	294-70939	ARM
25-810342	295-70939	O-RING
810343	296-70939	GOVERNOR LEVER
10-810344	297-70939	BOLT
11-810345	298-70939	NUT
810346	299-70939	SHAFT
25-810347	300-70939	O-RING
53-810348	301-70939	SNAP RING
810349	302-70939	BRACKET
10-810350	303-70939	BOLT
810351	304-70939	ARM
53-810352	305-70939	SNAP RING
25-810353	306-70939	O-RING
24-810354	307-70939	SPRING
12-810355	308-70939	WASHER
11-810356	309-70939	NUT

810357	310-70939	STOP LEVER
10-810358	311-70939	BOLT
10-810359	312-70939	BOLT
24-810360	313-70939	START SPRING
810361	314-70939	COVER
27-810362	315-70939	GASKET
810363	316-70939	INJECTION PUMP ASSY
15-810364	317-70939	SHIM:0.2
15-810365	318-70939	SHIM:0.3
15-810366	319-70939	SHIM:0.5
15-810367	320-70939	SHIM:1.0
10-810368	321-70939	BOLT
27-810369	322-70939	GASKET
810370	323-70939	INSERT
810371	324-70939	CAP
810372	325-70939	INJECTOR ASSY
32-810373	326-70939	RETURN PIPE COMPL
32-810374	327-70939	INJECTION PIPE COMPL
32-810375	328-70939	INJECTION PIPE COMPL
32-810376	329-70939	INJECTION PIPE COMPL
810377	330-70939	CLAMP COMPL
10-810376	331-70939	BOLT
810379	332-70939	GLOW PLUG
810380	333-70939	CONNECTOR
27-810381	334-70939	GASKET
810382	335-70939	COVER
810383	336-70939	SENSOR
12-810384	337-70939	SEAL WASHER
11-810385	338-70939	NUT
10-810386	339-70939	BOLT
810387	340-70939	LOCK WIRE
87-810388	341-70939	SOLENOID
12-810389	342-70939	WASHER
12-810390	343-70939	WASHER
10-810391	344-70939	SCREW
230-810392	345-70939	FLYWHEEL COMPLETE, ALTERNATOR
810393	346-70939	PLATE, ALTERNATOR
810394	347-70939	PLATE, ALTERNATOR
10-810394	71944	SCREW
810395	348-70939	STATOR ASSY, ALTERNATOR
810396	349-70939	BEARING, ALTERNATOR
810397	350-70939	CAP, ALTERNATOR
11-810398	351-70939	NUT, ALTERNATOR
810399	352-70939	COUPLER, ALTERNATOR
54-810400	353-70939	CLAMP, ALTERNATOR
10-810401	354-70939	SCREW, ALTERNATOR
10-810402	355-70939	SCREW, ALTERNATOR
23-810403	356-70939	COLLAR, ALTERNATOR
810404	221-69828	BUSHING-CRANKSHAFT
13-810404	74080	LOCK WASHER
810405	358-70939	CONNECTOR
810405	74801	BELT GUARD
810406	359-70939	CONNECTOR
12-810406	74827	WASHER

810407	360-70939	VOLTAGE REGULATOR
10-810407	74829	SCREW
810408	361-70939	CONNECTOR
810409	362-70939	HOUSING SUB ASSY
10-810409	75783	SCREW
810410	363-70939	DELIVERY VALVE HOLDER
11-810410	74075	NUT
810411	72576	FUEL SOLENOID
24-810412	365-70939	DELIVERY VALVE SPRING
10-810412	69820-B	BOLT
27-810413	366-70939	GASKET
810413	74063	DIPSTICK
810414	367-70939	VALVE SUB ASSY
84-810414	75778	GROUND WIRE
54-810415	72572	CLAMP
810416	369-70939	SLEEVE SUB ASSY
23-810416	51806	SPACER
810417	370-70939	JPPER SPRING SEAT
10-810417	74095	SCREW
24-810418	371-70939	PLUNGER SPRING
11-810418	22207	NUT
810419	372-70939	LOWER SPRING SEAT
27-810419	74053	GASKET
810420	70979	ANTI-SIPHON VALVE
810421	374-70939	RACK SUB ASSY
10-810421	662-70939	BANJO BOLT
810422	375-70939	BRACKET
12-810422	651-70939	WASHER
10-810423	376-70939	SCREW
22-810423	663-70939	FITTING
10-810424	377-70939	BOLT
25-810424	378-70939	WASHER
22-810425	379-70939	CONNECTOR
810426	661-70939	COVER
810427	380-70939	PLATE
22-810427	74808	FITTING, SPECIAL FUEL
10-810428	381-70939	SCREW
22-810428	74819	CONNECTOR
17-810429	382-70939	PIN
22-810429	30096	CONNECTOR
810430	383-70939	PLATE:T=1.85
32-810430	68736-A	HOSE
810431	384-70939	PLATE:T=1.90
54-810431	74823	CLAMP
810432	385-70939	PLATE:T=1.95
22-810432	74807	CONNECTOR
810433	386-70939	PLATE:T=2.00
32-810433	68736-B	HOSE
810434	387-70939	PLATE:T=2.05
27-810434	700-69828	GASKET
810435	388-70939	PLATE:T=2.10
25-810435	660-70939	O-RING
810436	389-70939	PLATE:T=2.15
810436	55123	RELAY

810437	390-70939	PLATE:T=2.20
10-810437	36901	SCREW
10-810438	75789	SCREW
810439	392-70939	PLATE:T=2.30
11-810439	37398	NUT
810440	393-70939	PLATE:T=2.35
810440	74052	LINKAGE
810441	394-70939	PLATE:T=2.40
11-810441	74034	NUT
810442	395-70939	PLATE:T=2.45
810442	75765	BRACKET
810443	396-70939	PLATE:T=2.50
10-810443	72569	SCREW
84-810444	74802	WIRE ASSY
84-810445	75764	GROUND WIRE
810473	511-70939	ARMATURE ASSY
12-810474	512-70939	THRUST WASHER KIT
810475	513-70939	PINION STOPPER SET
810476	514-70939	FIELD COIL ASSY
10-810477	515-70939	SET SCREW
810478	516-70939	BRUSH
810479	517-70939	REAR COVER ASSY
23-810480	518-70939	BUSHING
810481	519-70939	BRUSHHOLDER ASSY
810482	520-70939	BRUSH
24-810483	521-70939	BRUSH SPRING
43-810484	522-70939	PINION ASSY
810485	523-70939	GEAR CASE ASSY
23-810486	524-70939	BUSHING
810487	525-70939	SHIFT LEVER KIT
89-810488	526-70939	SWITCH ASSY
10-810489	527-70939	BOLT
810490	528-70939	DUST COVER KIT
10-810491	529-70939	BOLT
10-810492	530-70939	SCREW
810493	531-70939	CENTER PLATE
22-810494	28916	ELBOW
22-810495	35461	CONNECTOR
32-810496	35587	HOSE 1" ID SAE20R3
810497	35606	TEMPERATURE SWITCH
810498	35822	CHOKE CONTROL LEV
17-810499	36261	POP RIVET
810500	75766	BI-METAL W/WIRE
57-810501	40132	V BELT, DRIVE
28-810502	42558	KEY
810503	44128	CHOKE SOLENOID
32-810504	69860-C	HOSE
10-810505	72536	4-40X3/16 PAN HDMCSC
22-810506	50832	DRAIN COCK-1/8NPT
32-810507	72556-B	HOSE 5/8 ID SAE 20R3
810508	57406	DASH POT
810509	57794	RETAINER-SPRK PLG WI
810511	69804	REAR BEARING CARRIER
810512	69811	CAP HEX 1/4NPT

810513	69819	PLATE, REAR BRG CARR
10-810514	69820-A	XBOLTS, STATOR
810515	69821	CATALYST, TOPCOAT CUR
810516	69822	COUPLING PLATE
810517	69824	INTAKE, MANIFOLD
810518	69825	BALL JOINT, CARB LINK
810519	69828	ENGINE, NISSAN (MA10)
27-810520	69862	GASKET, ENG/INT MAN
27-810521	70968	GASKET, ENG/EXH MAN
25-810522	70989	O-RING
54-810524	69854	CLAMP, 1.5-.812 ID SS
54-810525	69855	CLAMP
810526	69857	FUEL PUMP
32-810527	69861	ASSY, FUEL LINE HOSE
27-810528	69863	GASKET, ADDAPT/INT MAN
22-810529	69864	PIPE PLUG
810530	69868	LINKAGE, CARB/GOV
27-810531	69872	GASKET, CARB/AIR BOX
810532	69874	BASE, AIR CHAMBER
32-810533	69876	HOSE, C'CASE VENT
22-810534	69877	PLUG, M12-1.25X15 SRW
18-810535	69881	COTTER PIN
10-810536	69887	BOLT, M12X40 ROTSHAFT
810537	69889	ROTOR ASSY 8.0KW GAS
27-810538	69892	GASKET, R B CAR PLT
810539	69893	ASSY, BRUSH HOLDER
810540	23877-D	BRUSH HOLDER-UNIV
810541	A-24044-A	BRUSH ASSEMBLY
810542	25105	SIMS #6-32 X 1/4
810543	28778	LUG #10 16/14 I-R
810544	29361	LUG #6 16-14 I-T
810545	52893	LUG #6 12-10 I-T
810546	70935	LUG, #6 TERM
810547	69898	STATOR ASSY 8.0KW
810548	69943	CAP, .625 ID RUBBER
810549	69949	DATA PLATE
10-810550	70001	SCREW
13-810551	70005	LOCK WASHER
810552	70900	ENGINE PLATE
810553	70902	SCREEN, AIR OUTLET
810554	70903	CAM, DASH POT
810555	70908	BRACKET, DASH POT
37-810556	70913	DECAL SHEET, MARINE
37-810557	70918-C	DECAL, MERCURY UNIT
22-810558	70925	FITTING, FUEL PUMP
810559	70926-B	RAIL, 6.5 & 8.0 KW GAS
810560	70927	BRACKET, VIBRATOR ISOLATR
54-810561	70928	CLAMP, .5 ID OIL DRN
810562	70933-A	COVER, AIR CHAMBER
37-810563	70934	DECAL, AIRBOX
810564	70936	VIBRATION ISOLATOR
810565	70937	RAIL TIE
46-810566	70942	ASSY, SEA WTR PUMP
47-810567	69853	IMPELLER, SW PUMP

810568	70912	HOUSING
27-810569	70943	GASKET
810570	70944	SHAFT
810571	70948	BACK PLATE, SW PUMP
810572	70952	PULLEY, SW PUMP
22-810573	70977	ELBOW, 90 3/8NPTX5/8
26-810574	70983	OIL SEAL
25-810575	70995	O-RING .484 ID
10-810576	71912	SCREW
13-810577	71952	WASHER
810578	72561	CAM, SEAWATER PUMP
30-810579	74000	BALL BEARING
30-810580	74001	BEARING, SW PUMP
53-810581	74002	INT RET RING, 1.65OD
50-810582	70954	MOTOR, STARTER
810583	70959	DRIP TRAY
810584	70961	PULLEY, ENGINE
810585	70970-A	ASSY, EX MAN/HEAT EX
36-810586	46627	RADIATOR CAP
22-810587	69885	FITTING, OUTLET HTEX
810588	69886	ASSY, WATER FILL
27-810589	69945	GASKET, FILL
810590	69946	FLANGE, NOZ-EX MAN
16-810591	69948	STUD, M6-1.0, WTR FIL
11-810592	70003	M6-1.0 HEX NUT SS
810593	70910	END PLATE, EX MAN
810594	70915	EXHAUST FLANGE
810595	70917	EXHAUST OUTLET
27-810596	70919	GASKET, TUBE BUN/EPLT
27-810597	70920	GASKET, FLNG NOZ EX
27-810598	70921	GASKET, EPLT EX MAN
27-810599	70922	GASKET, EX FLNG
22-810600	70971	ELBOW
25-810601	70974	O-RING, EX MAN
22-810602	70976	CONNECTOR, EXHAUST
810603	70978	TEMP SENSOR, EX MAN
810604	71927	ZINC ANODE ASSY
810605	71937	MANIFOLD, EXH MACH
810606	71953	ASSY, TUBE BUNDLE
16-810607	71955-A	STUD, M6-1.0 X 35 LG
16-810608	71955-B	STUD, M6-1.0 X 40 LG
16-810609	71955-C	STUD, M6-1.0 X 50 LG
16-810610	71955-D	STUD, M6-1.0 X 75 LG
10-810611	72515	PPHMS, M4-0.7X5 LG
810612	373-70939	TAPPET SUB ASSY
32-810613	70985	HOSE, EX MAN/ENG
810614	70991	ASSY, SUCTION TUBE
810615	70988	TUBE, SUCTION
810616	70990	BRKT, SUCTION TUBE
810617	70992	ARRSTR, FLAME R.B.C.
84-810618	70998	XHARNES WIRING
810619	70999	KNOB, BELT GUARD
810620	71908	MOUNT, VIBRATION
810626	71932	BRACKET, SW PUMP

12-810627	71956	WASHER, VIB ISO
810628	71958	MOUNT, ENGINE
810629	71959	SPACER, RAIL
810630	72504	CONNECTION BOX COVER
810631	72507	COVER, ACCESS
10-810632	72512	SCREW
10-810633	72513	SCREW
10-810634	72514	HEXHD M8-1.25 X 8LG
810635	72517	ADAPTER, STARTER
810636	72518	GUARD, BELT
810637	72523	LUG, LIFTING REAR
810638	72524	BRACKET
810639	72525	FLAME ARRESTOR
810640	72526	DIPSTICK & TUBE ASSY
134-810641	72530	CARBURETOR, FACET
27-810642	72533	GASKET, CARB/ADAPTER
810644	72531	CARB, ADAPT STAMPING
810645	72535	BRACKET CHOKE SOLENOID
12-810646	72537	WASHER
13-810647	72538	LOCKWASHER
11-810648	72540	NUT
10-810649	72541	SCREW
10-810650	72542	SCREW
10-810651	72543	SCREW
10-810652	72544	SCREW
810652	70933-B	COVER, AIR CHAMBER
13-810653	72545	LOCKWASHER
22-810655	34616	STRAIGHT CONNECTOR
25-810656	38057	GROMMET RUBBER
79-810657	69894	METER, HOBBS HOUR
810658	70325	ENGINE CONTROLLER, GAS/DIESEL
37-810659	70909	DECAL, CONTROL PANEL
810660	71903	REGULATOR, VOLTAGE D.C.
10-810661	71911	SCREW
10-810662	74041	SCREW
88-810663	71915	CIRCUIT BREAKER
87-810664	71916	SWITCH, START/STOP
25-810665	71950	GROMMET, SPOOL 3/4ID
810666	72505	BASE, PANEL
810667	72508	SUPPORT, SIDE
10-810668	72509	SCREW
810669	72519-A	PANEL, CONTROL
810670	72521	BOX, CONTROL
88-810671	22667	AUTOFUSE, 20A
88-810672	22668	AUTOFUSE, 30A
11-810674	72566	NUT SPACER PC BOARD
810675	74033	HOLDER, FUSE
810676	74074	ASSY, COMPLT REG PCB
810677	73601	ASSY, CHOKE MODULE
10-810678	72552	SCREW
10-810679	72553	SCREW
10-810680	72554	SCREW HH M8-1.25X40
810681	72555	ASSY, CONN BOX
810682	22264	LOCKWASHER #8-M4

86-810683	46357	TERMINAL BLOCK 6 #6
810684	65852	SPRING CLIP
86-810686	71914	AC TERM STRIP
810687	72502	BOX, CONNECTION
16-810688	72567	STUD
810689	72570	ASSY, FAN/RING GEAR
810690	69884	RING GEAR
810691	69953	FAN
810692	72571	ASSY, BLOWER HSG
810693	69956	BLOWER HOUSING
23-810694	70901	SLEEVE, DOWEL BLHSG
810695	368-70939	ELEMENT SUB ASSY
22-810696	72573	FITTING, OIL DRAIN
84-810697	72575	XHARNISS WIRING
23-810698	72578	SPACER
810699	55935	SPACER 2.25 DIA X .37TH
10-810700	72580	SCREW
54-810701	72581	CLAMP, 1/4-5/8 ID SS
11-810702	72583	NUT
11-810703	72585	NUT
810705	69891	XASSY, ROTOR 4.0KW
810706	69899	STATOR ASSY 6.5 KW
810707	69890	ROTOR ASSY 6.5 KW
810708	69888	ROTOR ASSY 8.0 KW
810709	71900	XASSY, STATOR 4.0 KW
19-810710	447-70939	EXPANSION PLUG
810711	68985	GOVERNOR ASSY, COMPLETE
810712	75743	GOVERNOR ASSY
17-810713	71904	ROLL PIN
17-810713	36576	ROLL PIN 1/8 X 5/8
13-810714	71942	LOCK WASHER, GOVERNOR
10-810719	71949	SCREW
23-810724	69916	SPACER
810725	69917	PULLEY, HALF
11-810726	69918	JAM NUT
810727	71307	D.C. ALTERNATOR
54-810728	71923	CLAMP, CABLE
10-810730	71948	SCREW
390-810731	71902	STATOR ASSY
13-810732	71920	LOCKWASHER
24-810733	71906	SPRING, TENSION
10-810735	71909	SCREW
810736	72574	GOVERNOR LEVER
810792	70942-D	SEA WATER PUMP ASSY-DIESEL
810793	70944-A	SHAFT, SWPUMP BOLT-ON
810799	75737	STATOR
46-810800	70942-C	ASSY, SW PUMP, BOLT ON
810801	75731-B	RAIL, BASE PLATED
22-810803	74898	DIPSTICK TUBE
810804	75735	DIPSTICK, VENTED NISSAN
810805	74838	BRACKET, DIPSTICK CAD
25-810806	75770	GROMMET, 3/8 X 1" X 16GA
10-810807	74004	SCREW
54-810808	361-69828	CLAMP

54-810809	362-69828	CLAMP
810810	247-69828	BOLT-HEX
810811	248-69828	WASH-PLAIN
810812	249-69828	BOLT-HEX M6X1.0 WITH
810813	250-69828	BOLT-HEX M6
810814	251-69828	BOLT-HEX
810815	252-69828	SCR-HEX HD, PP W/CON
810816	253-69828	BOLT-HEX, M6
810817	254-69828	NUT, HEX
810818	255-69828	SLINGER-ENG
810819	256-69828	GASKET-CYL HEAD
810820	257-69828	BOLT-CYL HEAD
810821	258-69828	WASH-HEAD BOLT
810822	259-69828	OUTLET-WATER
810823	260-69828	GASKET-WATER OUTLET
810824	261-69828	PAN ASSY-OIL
810825	262-69828	SEAL-OIL, FR
810826	263-69828	SEAL-OIL, FR
810827	264-69828	GASKET-OIL SEAL RET, RR
810828	265-69828	ROD ASSY-CONN
810829	266-69828	ROD ASSY-CON
810830	267-69828	BRG-MAIN
810831	268-69828	BRG-MAIN
810832	269-69828	BRG-MAIN
810833	270-69828	BRG-MAIN
810834	271-69828	BRG-MAIN
810835	272-69828	BRG-MAIN
810836	273-69828	BRG-MAIN
810837	274-69828	BRG-MAIN
810838	274-69828	BRG-MAIN
810839	276-69828	BRG-MAIN
810840	277-69828	BRG-MAIN
810841	278-69828	BOLT CRANK PULLEY
810842	279-69828	RET-DIST CPLG
810843	280-69828	CAMSHAFT ASSY
810844	281-69828	PLATE CRANK PULLEY
810845	282-69828	BELT-TIMING
810846	283-69828	PACK-ROCKER COVER
810847	284-69828	IND-TIMING
810848	285-69828	COVER ASSY-TIMING BE
810849	286-69828	COVER ASSY-TIMING BE
810850	287-69828	GASKET FXH MANIFOLD
810851	288-69828	GASKET EXH MANIFOLD
810852	289-69828	PUMP ASSY-OIL
810853	290-69828	GEAR ASSY-OIL PUMP D
810854	291-69828	SPACER FUEL PUMP
810855	292-69828	GASKET-WATER PUMP
810856	293-69828	SEAL O-RING
810857	294-69828	THERMOSTAT
810858	295-69828	DISTRIBUTOR
810860	297-69828	WASH-PLAIN
32-810861	72582	HOSE
22-810862	28414	FITTING
12-810863	74013	WASHER

13-810864	24525	LOCKWASHER
16-810865	69871	STUD
12-810866	74014	WASHER
10-810867	71951	SCREW
10-810869	74005	SCREW
10-810870	74012	SCREW, M10-1.25X20
10-810871	72539	SKTHD M8-1.25X75
13-810872	74008	WASHER, LOCK M10
12-810873	74007	WASHER
11-810874	74009	NUT
12-810875	70007	WASHER
10-810876	74011	SCREW, M10-1.5X70
22-810877	74010	CONNECTOR
32-810878	74017	HOSE
35-810879	74016	FILTER, FUEL
12-810880	74015	WASHER
13-810881	74018	WASHER
810882	298-69828	DISTRIBUTOR ASSY
810883	296-69828	SPARK PLUG
33-810883	998-69828	SPARK PLUG
810884	299-69828	HOUSING ASSY-DISTRIBUTOR
26-810885	300-69828	SEAL-OIL
810886	301-69828	CLAMP SET-CAP
810887	302-69828	SHAFT ASSY
810888	303-69828	WEIGHT GOVENOR
24-810889	304-69828	SPRING GOVENOR
810890	305-69828	CAM SET
810891	306-69828	PLATE ASSY BREAKER
810892	307-69828	CONDENSER ASSY
84-810893	308-69828	WIRE ASSY LEAD
84-810894	309-69828	WIRE ASSY GROUND
810895	310-69828	TERMINAL ASSY
810896	311-69828	CONTROL ASSY VACUUM
810897	312-69828	TERMINAL-EARTH
810898	313-69828	COUPLING SET
810899	314-69828	ROTOR-HEAD
810900	315-69828	CAP ASSY-DISTRIBUTOR
810901	316-69828	POINT ASSY CARBON
10-810902	317-69828	SCREW KIT
25-810903	318-69828	SEAL O-RING
10-810904	319-69828	SCREW
810905	320-69828	CONTACT SET
11-810906	321-69828	NUT HEX
84-810907	322-69828	HARNES ASSY DISTRIBUTOR
810908	73750	PANEL ASSY-DIESEL
87-810909	55920	SWITCH, PRE HEAT
810910	73698	PANEL FASE - DIESEL
87-810911	73752	SWITCH-START/STOP
810912	73573	LAMP-MINIATURE
810913	72519-B	CONTROL PANEL
810914	72560	VOLT METER
810915	72559	OIL PRESSURE GAUGE
810916	72558	TEMP GAUGE
37-810917	70909-A	DECAL CONTROL PANEL

810918	323-69828	CAP ASSY OIL FILLER
810919	324-69828	COVER ASSY-VALVE ROC
810920	325-69828	GEAR ASSY-IDLER, OIL
810921	326-69828	PUMP ASSY-WATER
810922	327-69828	HSG ASSY-THERMO
810923	328-69828	BOLT-HEX, W/PS & SPW
810924	329-69828	BLOCK ASSY-CYL
810925	330-69828	PISTON SET-W/PIN
810926	331-69828	PISTON SET W/PIN
810927	332-69828	PISTON SET W/PIN
810928	333-69828	PISTON RING SET
810929	334-69828	PISTON RING SET
810930	335-69828	PUMP ASSY-WATER
810931	336-69828	PAGE 7/15
810932	337-69828	PAGE 7/15
810933	338-69828	PAGE 7/15
810935	340-69828	PLUG-TAPER, OIL GALLE
810936	341-69828	STUD-OIL FILTER
810937	342-69828	STUD
810938	343-69828	WASHER, DRAIN PLUG
810939	344-69828	GASKET SET, OIL PAN
810940	345-69828	BOLT-HEX
842-810940	100-70965	CYLINDER BLOCK
810941	346-69828	GASKET-ROCKER COVER
16-810941	101-70965	STUD
810942	347-69828	ROD COMPL-CONN
26-810942	106-70965	OIL SEAL
810943	348-69828	WASHER-THRUST UP
810944	349-69828	BOLT-SPROCKER.C/SHAF
810945	350-69828	BOLT HEX
810946	351-69828	GEAR-IDLER
810947	352-69828	RET ASSY-OIL SEAL, RR
810948	353-69828	GASKET INT MANIFOLD
810949	354-69828	GASKET INT MANIFOLD
810950	448-70939	BALL BEARING
810951	449-70939	SCREW
810952	450-70939	SCREW
810953	451-70939	SCREW
810954	452-70939	NUT
810955	453-70939	ARM COMPL
810956	454-70939	NOZZLE
27-810956	107-70965	GASKET
810957	455-70939	GASKET
23-810957	142-70965	COLLAR
810958	456-70939	GASKET
25-810958	143-70965	GROMMET
810959	457-70939	SHIM
810959	139-70965	COVER
810960	458-70939	SHIM
810960	146-70965	WATER PUMP
810961	459-70939	SHIM
19-810961	102-70965	WELCH PLUG
810962	460-70939	SHIM
431-810962	130-70965	CAMSHAFT

810963	461-70939	SHIM
43-810963	131-70965	SPROCKET
810964	462-70939	SHIM
810964	132-70965	TENSIONER
810965	463-70939	SHIM
810966	464-70939	SHIM
11-810966	134-70965	NUT
810967	465-70939	SHIM
57-810967	135-70965	TIMING BELT
810968	466-70939	SHIM
810968	137-70965	INTAKE VALVE
810969	467-70939	SHIM
24-810969	133-70965	SPRING
810969	138-70965	EXHAUST VALVE
810970	468-70939	SHIM
938-810970	109-70965	CYLINDER HEAD
810971	469-70939	SHIM
810971	111-70965	GUIDE
810972	470-70939	SHIM
810972	110-70965	GUIDE
810973	471-70939	SHIM
10-810973	113-70965	BOLT
810974	472-70939	SHIM
27-810974	114-70965	GASKET
810975	473-70939	SHIM
17-810975	112-70965	DOWEL PIN
810976	474-70939	SHIM
614-810976	115-70965	CONNECTING ROD
810977	475-70939	SHIM
10-810977	116-70965	BOLT
810978	476-70939	SHIM
737-810978	117-70965	PISTON STD
810979	477-70939	NUT
737-810979	118-70965	PISTON O.S.
810980	478-70939	SPRING
39-810980	123-70965	PISTON RING STD
810981	479-70939	PIN
39-810981	124-70965	PISTON RING O.S.
810982	480-70939	BODY SUB ASSY
429-810982	125-70965	CRANKSHAFT
810983	481-70939	DISTANS PIECE
43-810983	126-70965	SPROCKET
810984	482-70939	RETAINING NUT
12-810984	129-70965	THRUST WASHER
810985	483-70939	BRUSH
810985	127-70965	PLATE
810986	484-70939	BRUSH
810986	144-70965	SPINDLE
810987	485-70939	BRUSH HOLDER ASSY
810987	145-70965	SUPPORT
810988	486-70939	FLYWHEEL COMPL
810988	75739	ROTOR
810989	487-70939	PLATE COMPL
810989	75740	STATOR

810990	488-70939	STATOR COMPL
10-810990	69820-C	BOLT
810991	489-70939	CAP
37-810991	70918-J	DECAL
810992	490-70939	COUPLAR
810992	75763	BOOT
810993	491-70939	CLAMP
32-810993	75745	HOSE
810994	492-70939	PLATE
32-810994	75751	HOSE
810995	493-70939	BRUSH SPRING
810995	75752	TUBE
810996	494-70939	THRUST WASHER KIT
810996	77056	BRACKET
810997	495-70939	PINION STOPPER SET
23-810997	75747	SPACER
810998	496-70939	REAR COVER METAL
19-810996	75732	PLUG
810999	497-70939	GEAR CASE METAL
810999	70965	POWERHEAD
811000	498-70939	DUST COVER KIT
811000	75731-D	RAIL BASE PLATED
811001	499-70939	ARMATURE ASSY
811001	152-70965	DUST COVER - USE 148-70965
811001	148-70965	DUST COVER ASSY MA12
811002	500-70939	FIELD COIL ASSY
27-811002	149-70965	GASKET
811003	501-70939	POLECORE SET SCREW
27-811003	150-70965	GASKET
811004	502-70939	CENTER PLATE
27-811004	151-70965	GASKET
811005	503-70939	SHIFT LEVER KIT
811006	504-70939	THROUGH BOLT
811006	664-70939	BEARING HOLDER
811007	505-70939	GEAR CASE ASSY
811008	506-70939	BOLT
811009	507-70939	COVER ASSY, REAR
811010	508-70939	CASE ASSY, GEAR
811011	509-70939	PINION, COMPL
811012	510-70939	COLLAR
811014	356-69828	CABLE NO. 1
811015	357-69828	CABLE NO. 2
811016	358-69828	CABLE NO. 3
811017	359-69828	CABLE NO. 4
811018	360-69828	CABLE - COIL TO DISTRIBUTOR
811050	73758	PLATE, TOP CONTROL PANEL
811051	72511	AIR CHAMBER BOX
35-811052	70941	AIR FILTER
811053	72510	ACCESS COVER
84-811054	74062	STARTER WIRE ASSY
84-811055	74061	GROUND WIRE ASSY
37-811056	70918-E	UNIT DECAL
811057	72506	CONTROL PANEL

811058	73748	VOLTAGE REGULATOR
37-811059	73695	DECAL, CONTROL PANEL
13-811060	74042	LOCK WASHER
10-811061	74040	SCREW
37-811062	25717	DECAL, C.S.A.
811063	72519	CONTROL BOX
811064	73757	TUBE ASSY, AIR FILTER
10-811065	74039	SCREW
811066	73755-A	INSULATION
811067	73755-B	INSULATION, BACK PANEL
811068	73755-C	INSULATION, SIDE PANEL
13-811069	74043	LOCK WASHER
811070	70926-C	RAIL, BASE (4.0 KW GAS)
811071	70926-A	RAIL, BASE-DIESEL
811072	71954	TUBE BUNDLE
22-811073	70973	CONNECTOR
811074	71935	EXHAUST MANIFOLD
13-811075	74028	WASHER
811076	74025	TEMP, SENSOR
10-811077	74027	SCREW
811078	73751	REMOTE PANEL ASSY, GAS
811079	73699	PLATE, REMOTE PANEL
811080	73753	LAMP, REMOTE PANEL
811081	70939	ENGINE, DIESEL
32-811082	72563	HOSE
32-811083	70982	HOSE
32-811084	70984	HOSE
35-811085	69858	FUEL FILTER, DIESEL
811086	72564	BRACKET, FUEL FILTER
32-811087	69860-A	FUEL LINE
22-811088	42574	ADAPTER
87-811089	60108	SWITCH, OIL PRESSURE
22-811090	52233	TEE
22-811091	74073	OIL PRESSURE SENDER
811092	72501	ENGINE MOUNT
57-811093	70955	BELT
811094	70957	GUARD, BELT
811095	70924	STAND OFF, BELT GUARD
811096	70997	BRACKET, SEA WATER PUMP
811097	72599	BRACKET, D/C REGULATOR
811098	71938	REGULATOR, D/C
811099	74243	AIR SCREEN, FAN
811100	73457	BLOWER HOUSING
17-811101	48189	DOWEL PIN
811102	73455	FAN
811103	73452	DRIVE HUB
811104	73454	COUPLING PLATE
10-811105	74045	SCREW
230-811106	73451	FLYWHEEL & RING GEAR ASSY
811107	73450	ENGINE PLATE
10-811108	74067	SCREW
10-811109	74065	SCREW
10-811110	74064	SCREW
10-811111	74066	SCREW

811112	74049	BALL JOINT LEFT HAND
11-811113	74048	NUT
22-811114	61012	PLUG
84-811115	74059	GROUND WIRE
13-811116	74068	WASHER
10-811117	74046	SCREW
16-811118	74047	STUD
84-811119	74058	WIRE ASSY, IGN COIL
84-811120	74060	WIRE ASSY, SOLENOID TO STARTER
10-811121	74071	SCREW
10-811123	74069	SCREW
10-811124	74070	SCREW
32-811125	69860-B	HOSE
32-811126	72556-A	HOSE
84-811127	73768	WIRE HARNESS
32-811128	69875	HOSE
811129	71910	LIFTING LUG
54-811130	69859	CLMAP
22-811131	49340	ELBOW
11-811132	74054	NUT
811133	74057	COVER PLATE
54-811500	55934-B	CLAMP
10-811501	74003	SCREW
10-811502	72586	SCREW
10-811504	74023	SCREW
10-811506	74006	SCREW
32-811507	74019	HOSE
811508	74024	FUEL PUMP
811509	74037	TEMP, SENDER
811510	500-69828	WATER PUMP ASSY
27-811511	501-69828	GASKET, WATER PUMP
10-811512	502-69828	SCREW, WATER PUMP
811513	503-69828	THERMOSTAT
10-811514	504-69828	SCREW
84-811515	72562	WIRING HARNESS, DIESEL
84-811516	72565	WIRING HARNESS, DIESEL CON PAN
811517	505-69828	HOUSING, WATER PUMP
27-811518	506-69828	GASKET, THERMOSTAT
811519	70942-A	SEA WATER PUMP
811520	70969	EXHAUST MANIFOLD ASSY COMPLETE
811523	81864	HIGH AMBIENT KIT SER
10-816476	75746	SCREW

QUICKSILVER

PARTS
CATALOG

**MARINE GASOLINE
GENERATOR**

QS-4.0G QS-5.0G

QS-6.5G QS-7.5G

QS-8.0G QS-10-0G

SERIAL NUMBERS

United StatesB991000 and up

INDEX:

	PAGE
Camshaft and Valve Mechanism	6
Carburetor (4.0/5.0/6.5/7.5/8.0)	18
Carburetor (8.0/10.0 W/DASH POT)	20
Control Panel and Connection Box	30/32
Control Panel and Remote Start (Optional)	14
Cylinder Block and Oil Pan	2/4
Cylinder Head and Rocker Cover	8/10
Distributor	16
Engine Governor	24/26
Heat Exchanger and Exhaust Manifold	28
Miscellaneous Parts	36/38/40/42
Oil Pump	15
Piston and Crankshaft	12/13
Rail Mounting	35
Rotor and Stator	22
Sea Water Pump	34

AR = As Required

Parts Manual	90-19832
Owners Guide	●90-19690883

REPLACEMENT PARTS

WARNING! Electrical, ignition and fuel system components on this equipment are designed and manufactured to comply with U. S. coast Guard Rules and Regulations to minimize the risks of fire or explosion. Use of replacement electrical, ignition or fuel system components, which do not comply to these rules and regulations, could result in a fire or explosion hazard and should be avoided. When servicing the electrical, ignition and fuel systems, it is extremely important that all components are properly installed and tightened. If not, any electrical or ignition component opening would permit sparks to ignite fuel vapors from fuel system leaks, if they existed.

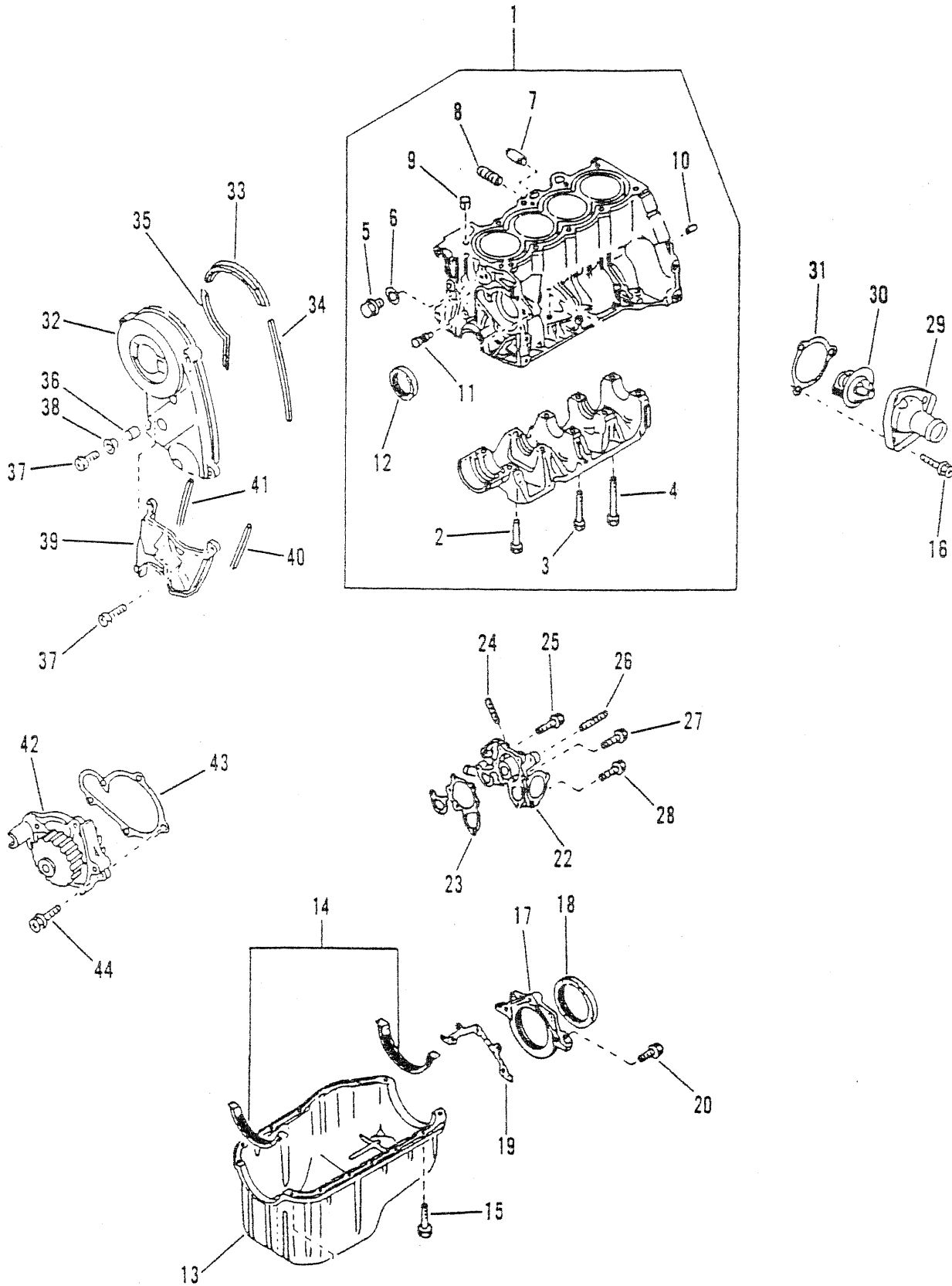
ENGINE MECHANICAL COMPONENTS

Many of the engine mechanical components are designed for marine generator applications. Unlike automotive engines, marine generator engines are subjected to extended periods of heavy load at a reduced, constant operating speed. Special marine generator engine parts have design and manufacturing specifications which are required to provide long life and dependable performance. Marine generator engine parts also must be able to resist the corrosive action of salt or brackish water that will rust or corrode standard automotive parts within a short period of time.

Failure to use recommended QUICKSILVER service replacement parts can result in poor engine performance and/or durability, rapid corrosion of parts subjected to salt water and possibly complete failure of the engine.

Use of parts other than recommended service replacement parts will void the warranty on those parts which are damaged as a result of the use of other than recommended parts..

CYLINDER BLOCK AND OIL PAN



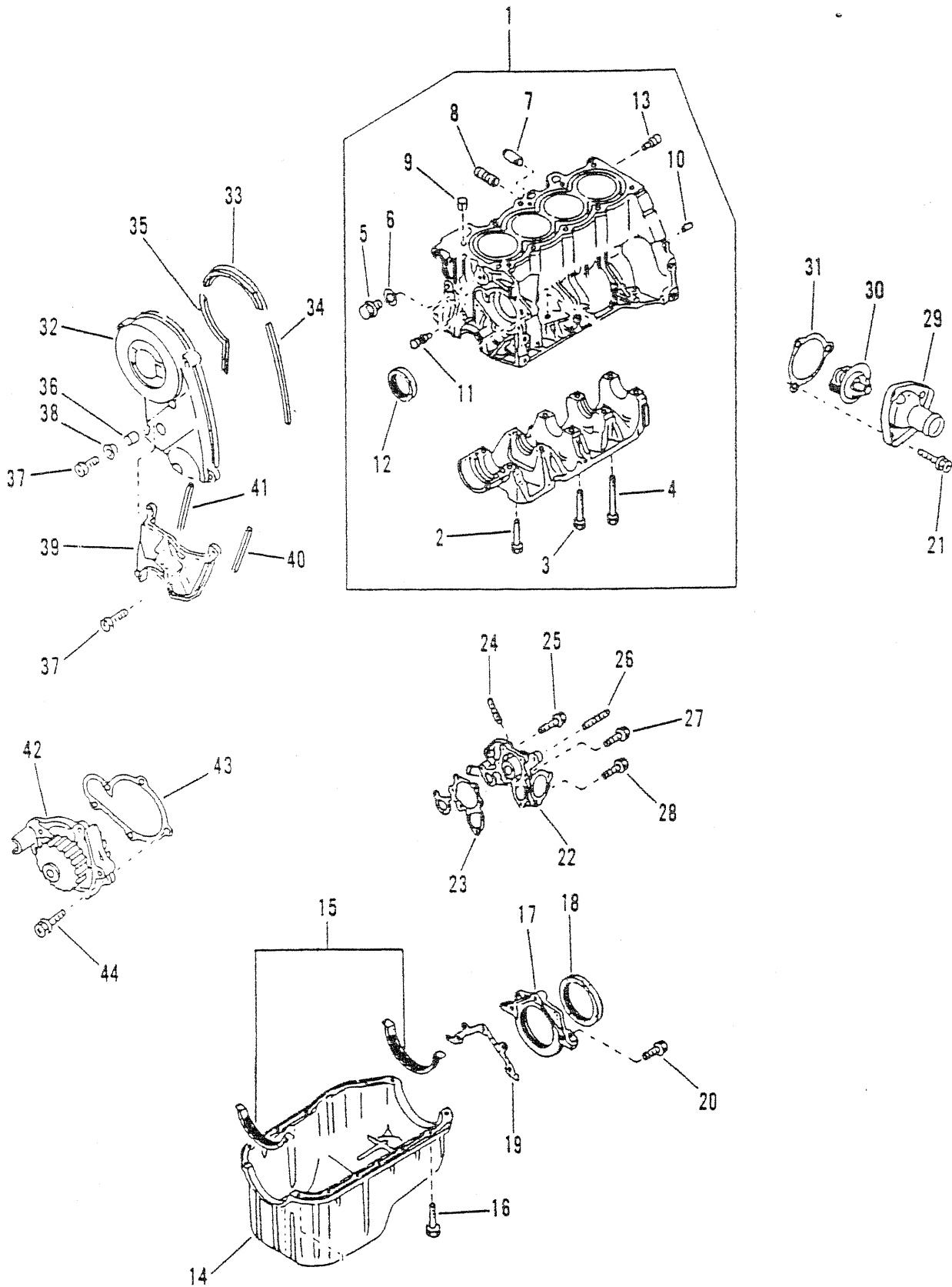
CYLINDER BLOCK AND OIL PAN

PART NO.	REF. NO.	DESCRIPTION	QUAN.
842-810000	1	CYLINDER BLOCK	1
10-810001	2	BOLT, main bearing cap	1
10-810002	3	BOLT, main bearing cap	1
10-810003	4	BOLT, main bearing cap	8
22-810004	5	PLUG	2
27-810005	6	GASKET	2
810006	7	VALVE, oil pressure regulator	1
16-810007	8	STUD, oil filter	1
22-810011	9	WELCH PLUG	2
17-810012	10	DOWEL PIN	2
22-810013	11	WELCH PLUG	1
26-810016	12	OIL SEAL, crankshaft (FRONT)	1
810017	13	OIL PAN	1
27-810020	14	GASKET SET, oil pan	1
10-810023	15	BOLT	14
10-811514	16	SCREW	3
810029	17	RETAINER, oil seal (REAR)	1
26-810030	18	OIL SEAL, crankshaft (REAR)	1
27-810031	19	GASKET, retainer	1
10-810032	20	SCREW	3
810033	22	THERMOSTAT HOUSING	1
27-810040	23	GASKET, thermostat housing	1
16-810034	24	STUD	2
10-810026	25	BOLT	1
16-810035	26	STUD	1
10-810024	27	BOLT	3
10-810025	28	BOLT	1
811517	29	WATER OUTLET	1
811513	30	THERMOSTAT	1
27-811518	31	GASKET	1
810046	32	DUST COVER (UPPER)	1
27-810047	33	GASKET, cover	1
27-810048	34	GASKET, cover	1
27-810049	35	GASKET, cover	1
23-810050	36	COLLAR, front cove	5
10-810045	37	BOLT	7
25-810042	38	GROMMET, front cover	6
810041	39	COVER (FRONT)	1
27-810043	40	GASKET, dust cover (LOWER)	1
27-810044	41	GASKET, front cover	1
811510	42	WATER PUMP ASSEMBLY	1
27-811511	43	GASKET	1
10-811512	44	SCREW, water pump	5

**POWERHEAD
810519**

**SERIAL
#C880439
AND BELOW**

CYLINDER BLOCK AND OIL PAN



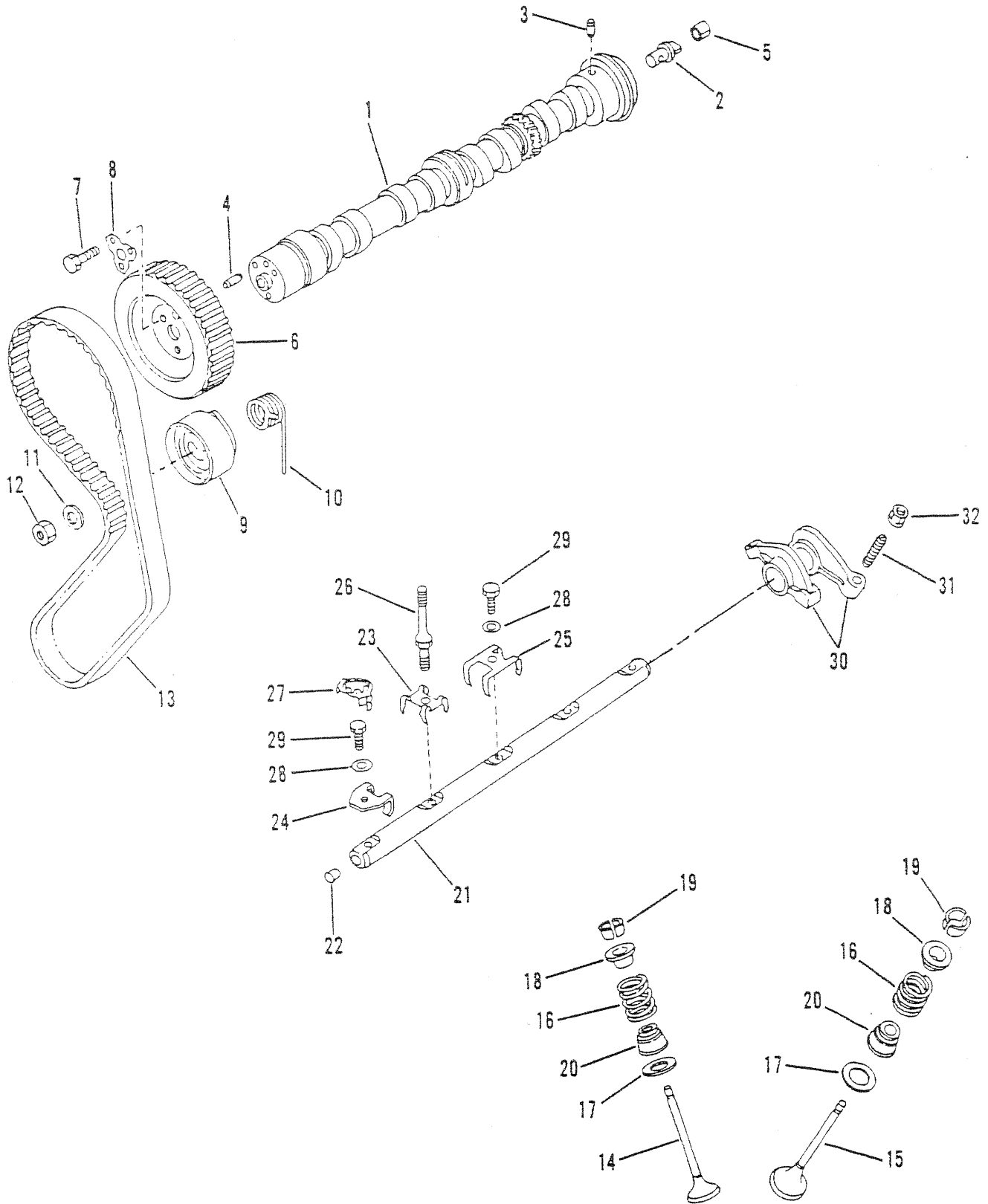
CYLINDER BLOCK AND OIL PAN

PART NO.	REF. NO.	DESCRIPTION	QUAN.
●842-810940	1	CYLINDER BLOCK	1
10-810001	2	BOLT, main bearing cap	1
10-810002	3	BOLT, main bearing cap	1
10-810003	4	BOLT, main bearing cap	8
22-810004	5	PLUG	2
27-810005	6	GASKET	2
810006	7	VALVE, oil pressure regulator	1
●16-810941	8	STUD, oil filter	1
22-810011	9	WELCH PLUG	2
17-810012	10	DOWEL PIN	2
22-810013	11	WELCH PLUG	1
26-810016	12	OIL SEAL, crankshaft (FRONT)	1
●19-810961	13	WELCH PLUG	1
810017	14	OIL PAN	1
27-810020	15	GASKET SET, oil pan	1
10-810023	16	BOLT	14
810029	17	RETAINER, oil seal (REAR)	1
●26-810942	18	OIL SEAL, crankshaft (REAR)	1
●27-810956	19	GASKET, retainer	1
10-810032	20	SCREW	3
10-811514	21	SCREW	3
810033	22	THERMOSTAT HOUSING	1
27-810040	23	GASKET, thermostat housing	1
16-810034	24	STUD	2
10-810026	25	BOLT	1
16-810035	26	STUD	1
10-810024	27	BOLT	3
10-810025	28	BOLT	1
811517	29	WATER OUTLET	1
811513	30	THERMOSTAT	1
27-811518	31	GASKET	1
●811001	32	DUST COVER (UPPER)	1
●27-811002	33	GASKET, cover	1
●27-811003	34	GASKET, cover	1
●27-811004	35	GASKET, cover	1
●23-810957	36	COLLAR, front cover	5
10-810045	37	BOLT	7
●25-810958	38	GROMMET, front cover	6
●810959	39	COVER (FRONT)	1
27-810043	40	GASKET, dust cover (LOWER)	1
27-810044	41	GASKET, front cover	1
●810960	42	WATER PUMP ASSEMBLY	1
27-811511	43	GASKET	1
10-811512	44	SCREW, water pump	5

POWERHEAD
●810999

SERIAL
#C880440
AND ABOVE

CAMSHAFT AND VALVE MECHANISM



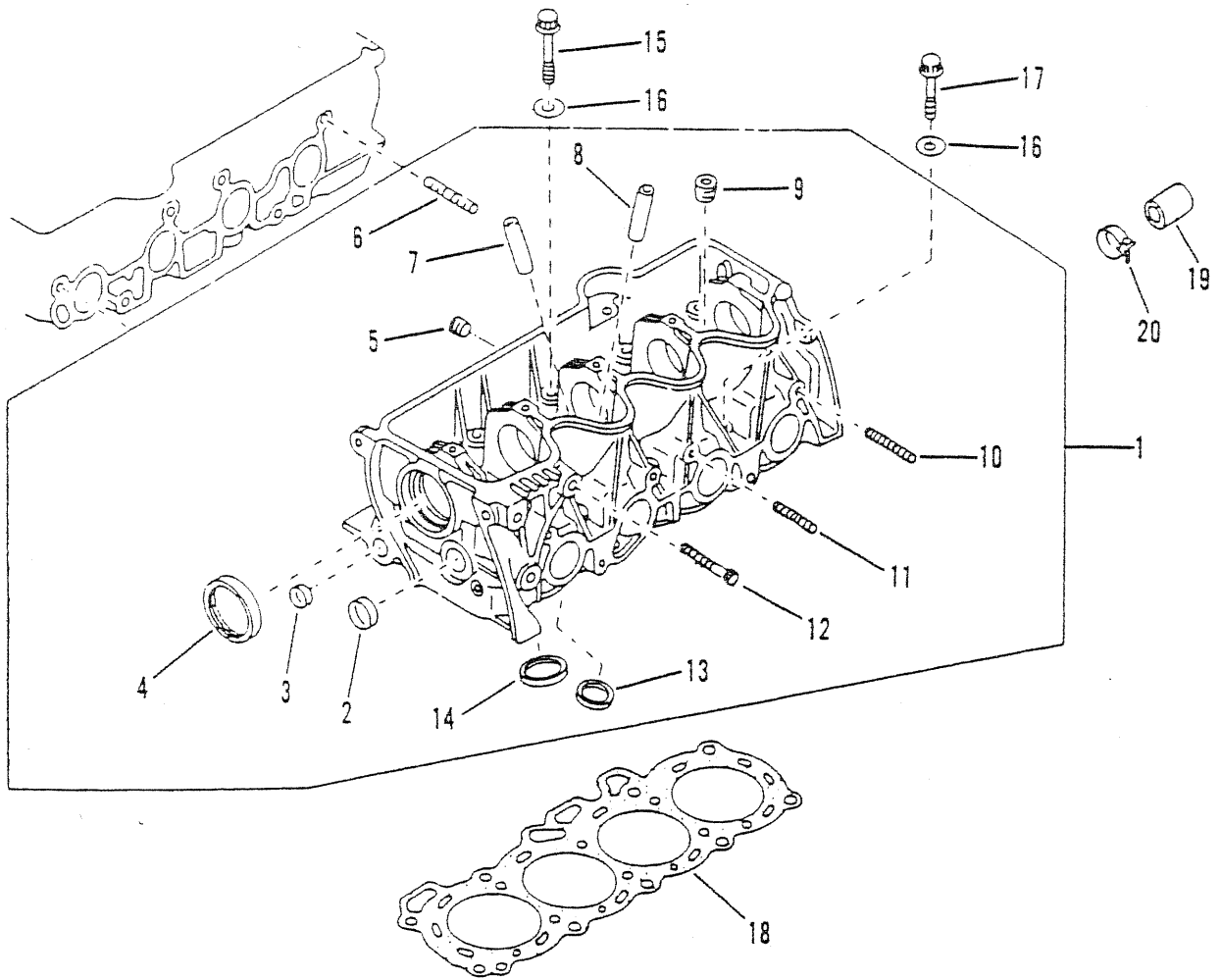
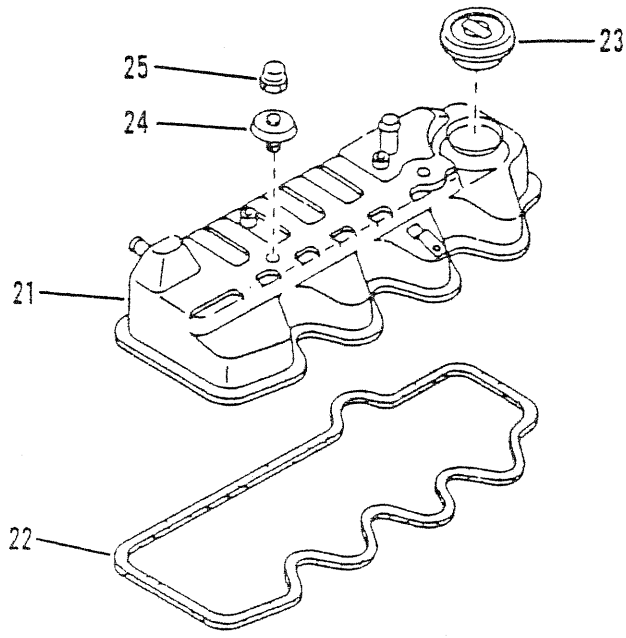
CAMSHAFT AND VALVE MECHANISM

PART NO.	REF. NO.	DESCRIPTION	QUAN.
431-810076	1	CAMSHAFT ASSEMBLY	1
22-810077	2	PLUG, camshaft	1
28-810078	3	KEY, camshaft	1
17-810012	4	DOWEL PIN	4
810079	5	RETAINER	1
43-810080	6	SPROCKET, camshaft	2
10-810081	7	BOLT, camshaft sprocket	3
14-810082	8	TAB WASHER	1
810083	9	TENSIONER, chain	1
24-810084	10	SPRING, tensioner	1
13-810085	11	LOCKWASHER	1
11-810086	12	NUT	1
57-810087	13	TIMING BELT	1
810088	14	INTAKE VALVE	4
810089	15	EXHAUST VALVE	4
●431-810962	1	CAMSHAFT ASSEMBLY	1
22-810077	2	PLUG, camshaft	1
28-810078	3	KEY, camshaft	1
17-810012	4	DOWEL PIN	4
810079	5	RETAINER	1
●43-810963	6	SPROCKET, camshaft	2
10-810081	7	BOLT, camshaft sprocket	3
14-810082	8	TAB WASHER	1
●810964	9	TENSIONER, chain	1
●24-810965	10	SPRING, tensioner	1
13-810085	11	LOCKWASHER	1
●11-810966	12	NUT	1
●57-810967	13	TIMING BELT	1
●810968	14	INTAKE VALVE	4
●810969	15	EXHAUST VALVE	4
24-810090	16	SPRING, valve (OUTER)	8
810091	17	SEAT, valve spring (OUTER)	8
810092	18	RETAINER, valve spring	8
28-810093	19	KEY, valve spring	16
26-810094	20	OIL SEAL, valve	8
810095	21	ROCKER SHAFT	1
19-810096	22	PLUG	2
810097	23	ROCKER SPRING	2
810098	24	RETAINER, rocker	2
810099	25	RETAINER, rocker	1
16-810100	26	STUD, rocker shaft	2
810101	27	BRACKET, rocker shaft	3
12-810102	28	WASHER	3
10-810103	29	BOLT	2
810104	30	ROCKER VALVE	8
16-810105	31	STUD, rocker shaft	8
11-810106	32	NUT, rocker stud	8

SERIAL
#C880439
AND BELOW

SERIAL
#C880440
AND ABOVE

CYLINDER HEAD AND ROCKER COVER

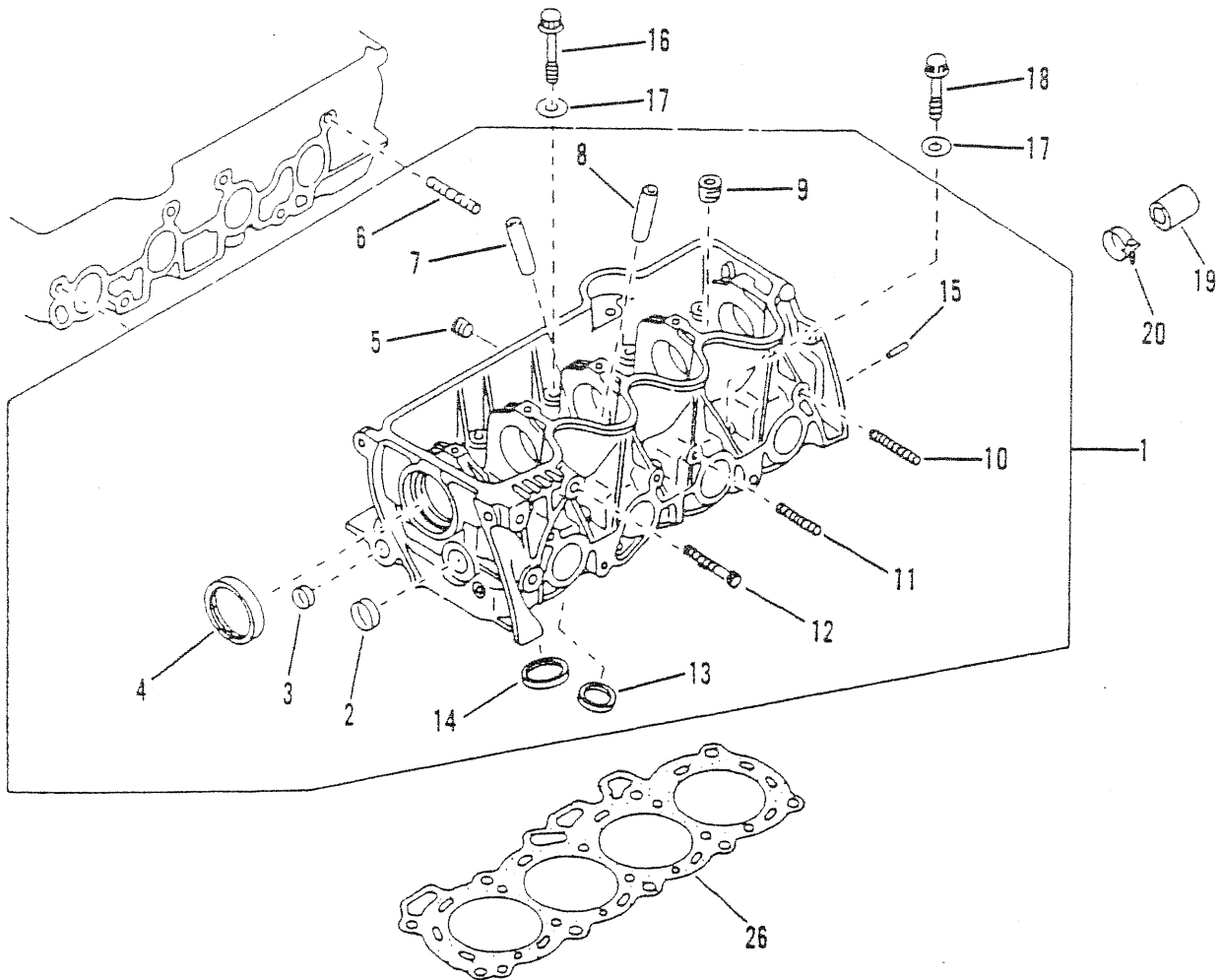
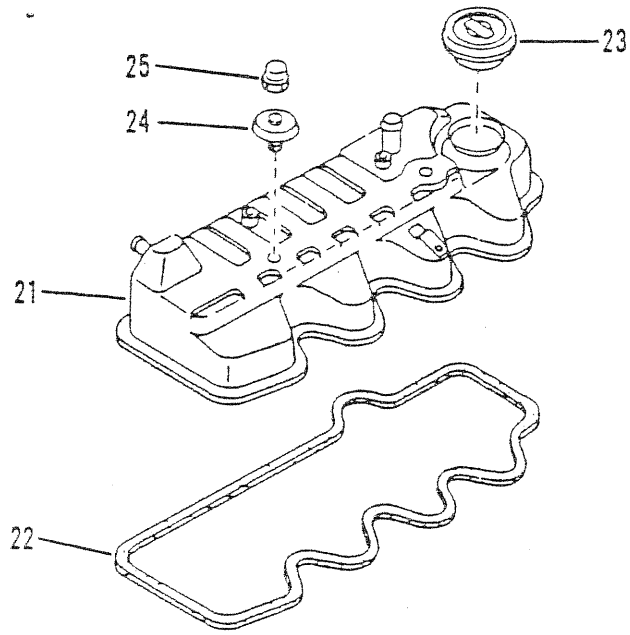


CYLINDER HEAD AND ROCKER COVER

PART NO.	REF. NO.	DESCRIPTION	QUAN.
938-810051	1	CYLINDER HEAD ASSEMBLY	1
22-810052	2	PLUG	1
22-810053	3	PLUG	1
26-810016	4	OIL SEAL	1
22-810055	5	PLUG	1
16-810056	6	STUD	6
810063	7	GUIDE, exhaust valve	4
810062	8	GUIDE, intake valve	8
22-810054	9	PLUG	2
16-810059	10	STUD	1
16-810057	11	STUD	4
10-810700	12	SCREW (M8-1.25 x 20MM)	1
810061	13	SEAT, exhaust valve	4
810060	14	SEAT, intake valve	8
10-810064	15	BOLT, cylinder head (LONG)	5
12-810067	16	WASHER	10
10-810066	17	BOLT, cylinder head (SHORT)	5
27-810068	18	GASKET, cylinder head	1
810069	19	CAP, connector	2
54-810070	20	CLAMP, hose	2
810071	21	ROCKER VALVE COVER	1
27-810073	22	GASKET, rocker cover	1
36-810075	23	CAP, oil filler	1
810072	24	CAP, rocker cover	2
11-810074	25	NUT	2

SERIAL
#C880439
AND BELOW

CYLINDER HEAD AND ROCKER COVER

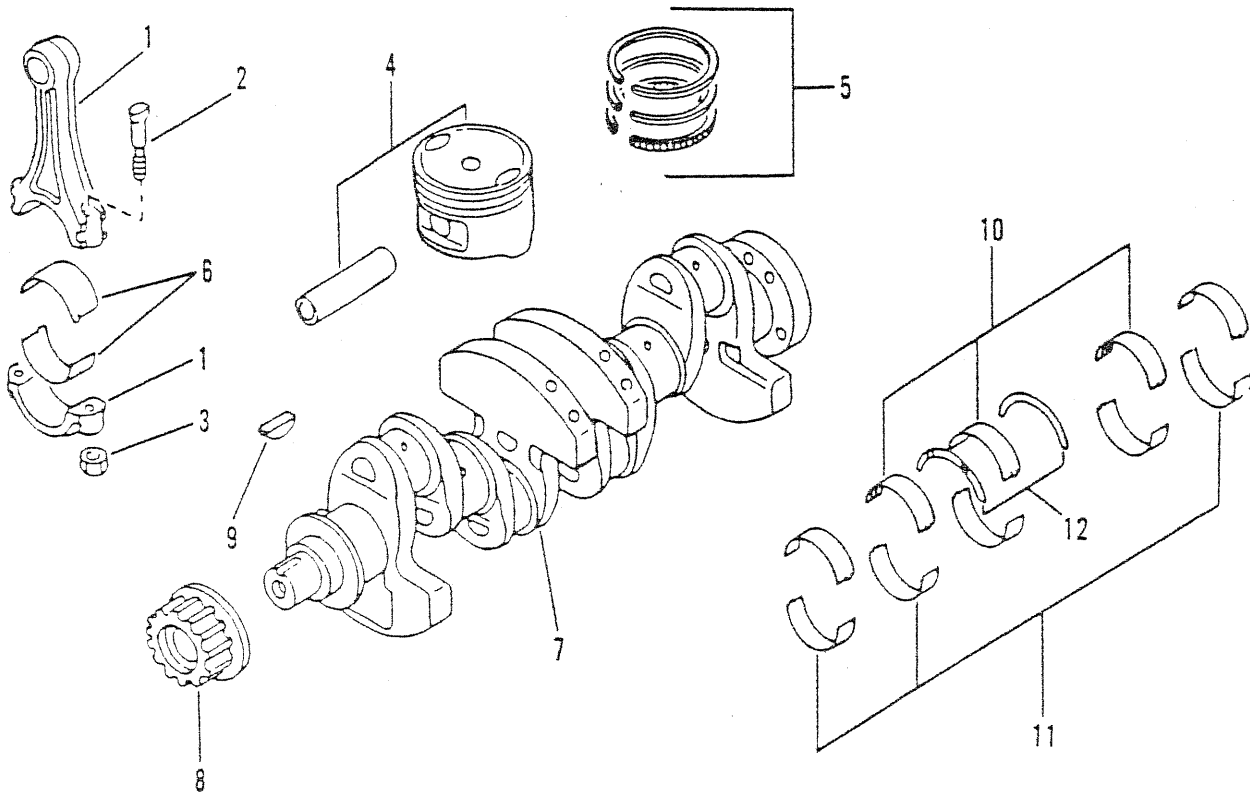


CYLINDER HEAD AND ROCKER COVER

PART NO.	REF. NO.	DESCRIPTION	QUAN.
● 938-810970	1	CYLINDER HEAD ASSEMBLY	1
22-810052	2	PLUG	1
22-810053	3	PLUG	1
26-810016	4	OIL SEAL	1
22-810055	5	PLUG	1
16-810056	6	STUD	6
● 810971	7	GUIDE, exhaust valve	4
● 810972	8	GUIDE, intake valve	8
22-810054	9	PLUG	2
16-810059	10	STUD	1
16-810057	11	STUD	4
10-810700	12	SCREW (M8-1.25 x 20MM)	1
810061	13	SEAT, exhaust valve	4
810060	14	SEAT, intake valve	8
● 17-810975	15	DOWEL PIN	1
10-810064	16	BOLT, cylinder head (LONG)	5
12-810067	17	WASHER	10
10-810066	18	BOLT, cylinder head (SHORT)	5
810069	19	CAP, connector	2
54-810070	20	CLAMP, hose	2
810071	21	ROCKER VALVE COVER	1
● 27-810974	22	GASKET, rocker cover	1
36-810075	23	CAP, oil filler	1
810072	24	CAP, rocker cover	2
11-810074	25	NUT	2
● 27-811210	26	GASKET, cylinder head	1

**SERIAL
#C880440
AND ABOVE**

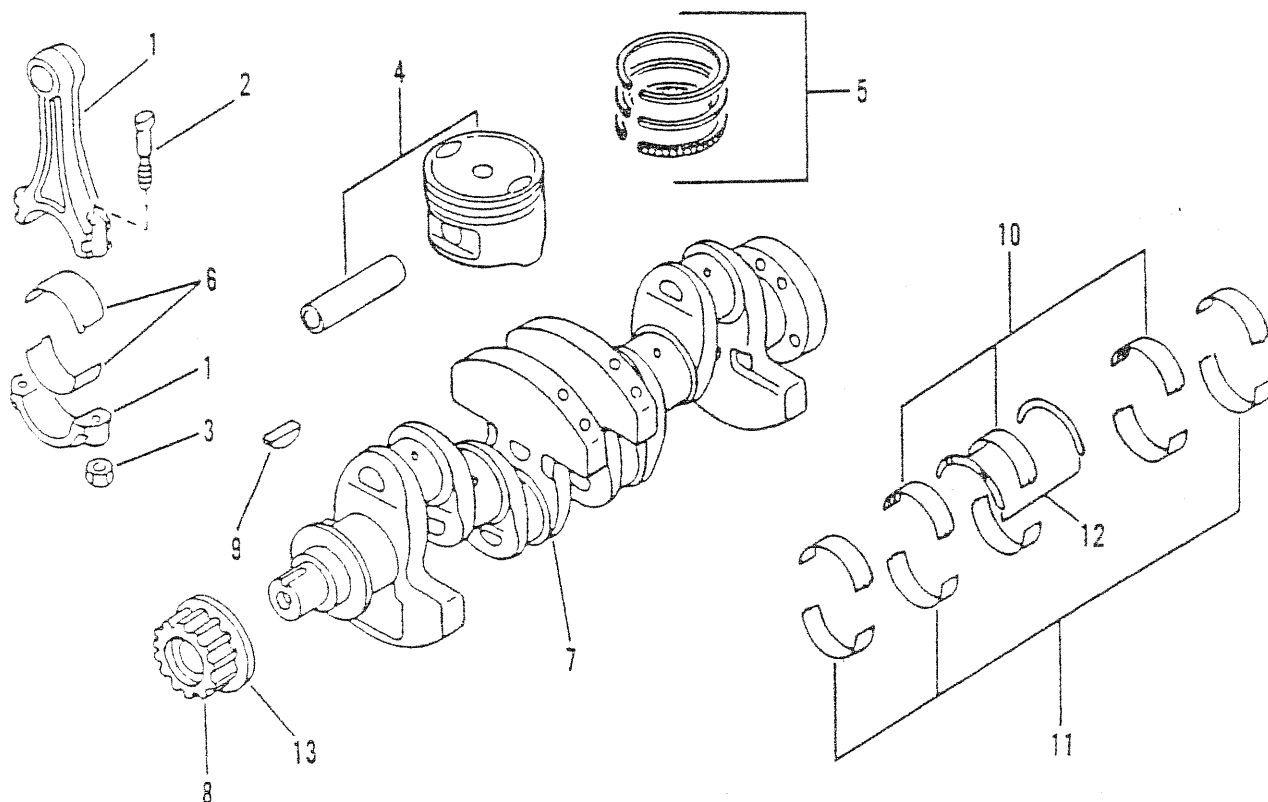
PISTON AND CRANKSHAFT



PART NO.	REF. NO.	DESCRIPTION	QUAN.
614-810107	1	CONNECTING ROD	4
10-810108	2	BOLT	8
11-810109	3	NUT	8
737-810110	4	PISTON, with pin (STANDARD)	4
737-810111	4	PISTON, with pin (0.2 MM O.S.)	AR
39-810112	5	PISTON RING (STANDARD)	4
39-810117	5	PISTON RING (0.2MM O.S.)	AR
23-810113	6	BEARING, connecting rod	8
429-810114	7	CRANKSHAFT	1
43-810115	8	SPROCKET	1
28-810116	9	KEY, crankshaft	1
23-810119	10	BEARING (UPPER-STANDARD)	5
23-810123	10	BEARING (UPPER- .25MM U.S.)	AR
23-810120	11	BUSHING (LOWER-STANDARD)	5
23-810124	11	BUSHING (LOWER- .25MM U.S.)	AR
12-810125	12	THRUST WASHER (UPPER)	2

**SERIAL
#C880439
AND BELOW**

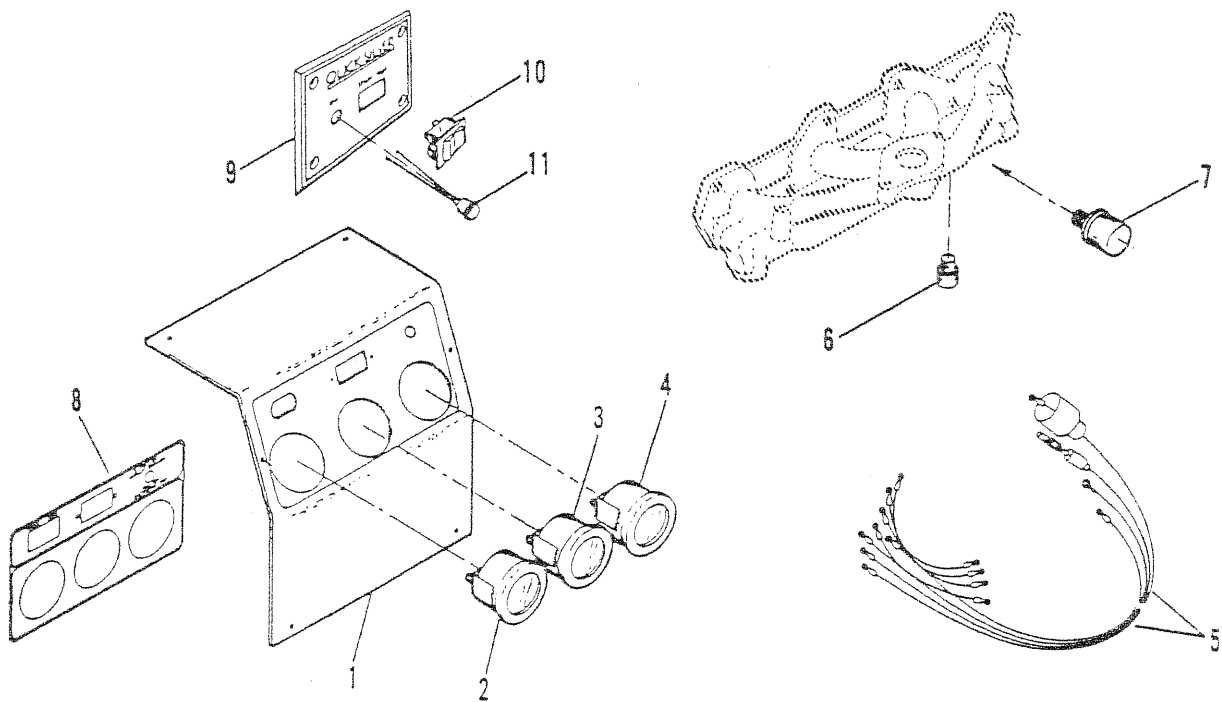
PISTON AND CRANKSHAFT



PART NO.	REF. NO.	DESCRIPTION	QUAN.
● 614-810976	1	CONNECTING ROD	4
● 10-810977	2	BOLT	8
11-810109	3	NUT	8
● 737-810978	4	PISTON, with pin (STANDARD)	4
● 737-810979	4	PISTON, with pin (0.2 MM O.S.)	AR
● 39-810980	5	PISTON RING (STANDARD)	4
● 39-810981	5	PISTON RING (0.2MM O.S.)	AR
23-810113	6	BEARING, connecting rod	8
● 429-810982	7	CRANKSHAFT	1
● 43-810983	8	SPROCKET	1
28-810116	9	KEY, crankshaft	1
23-810119	10	BEARING (UPPER-STANDARD)	5
23-810123	10	BEARING (UPPER- .25MM U.S.)	AR
23-810120	11	BUSHING (LOWER-STANDARD)	5
23-810124	11	BUSHING (LOWER- .25MM U.S.)	AR
● 12-810984	12	THRUST WASHER (UPPER)	2
● 810985	13	PLATE, sprocket	1

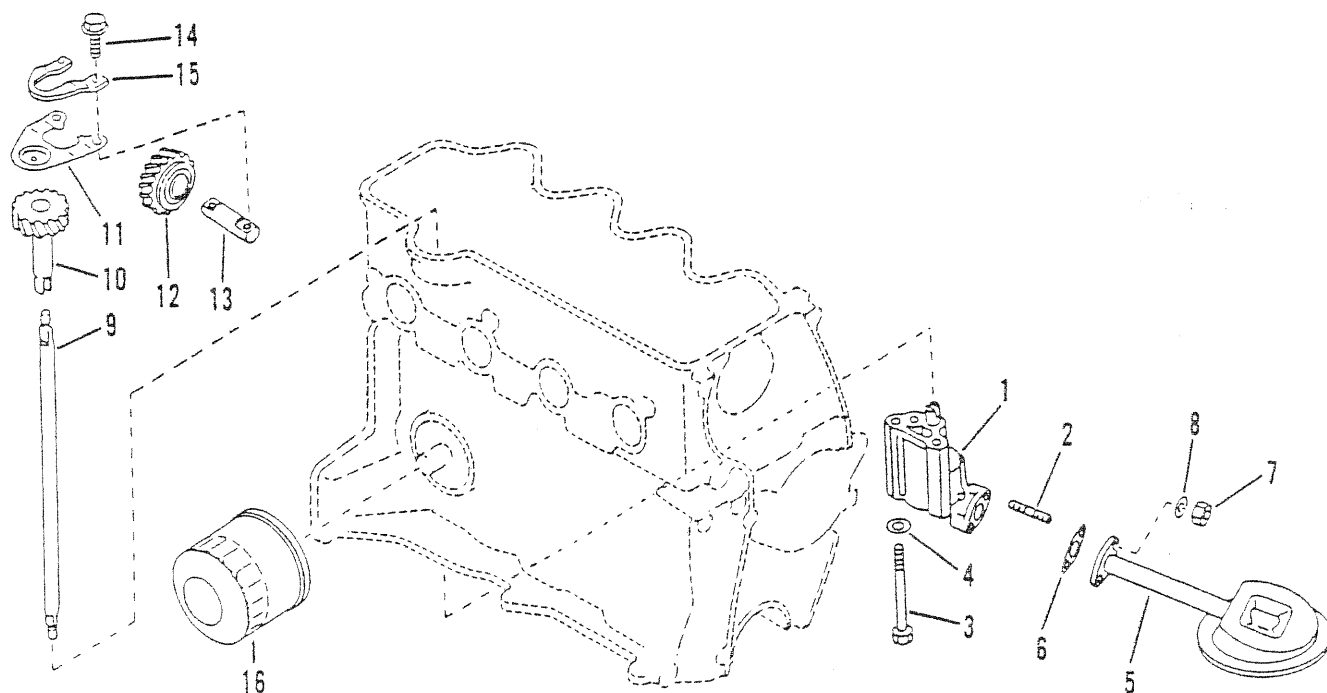
**SERIAL
#C880440
AND ABOVE**

CONTROL PANEL AND REMOTE START (OPTIONAL)



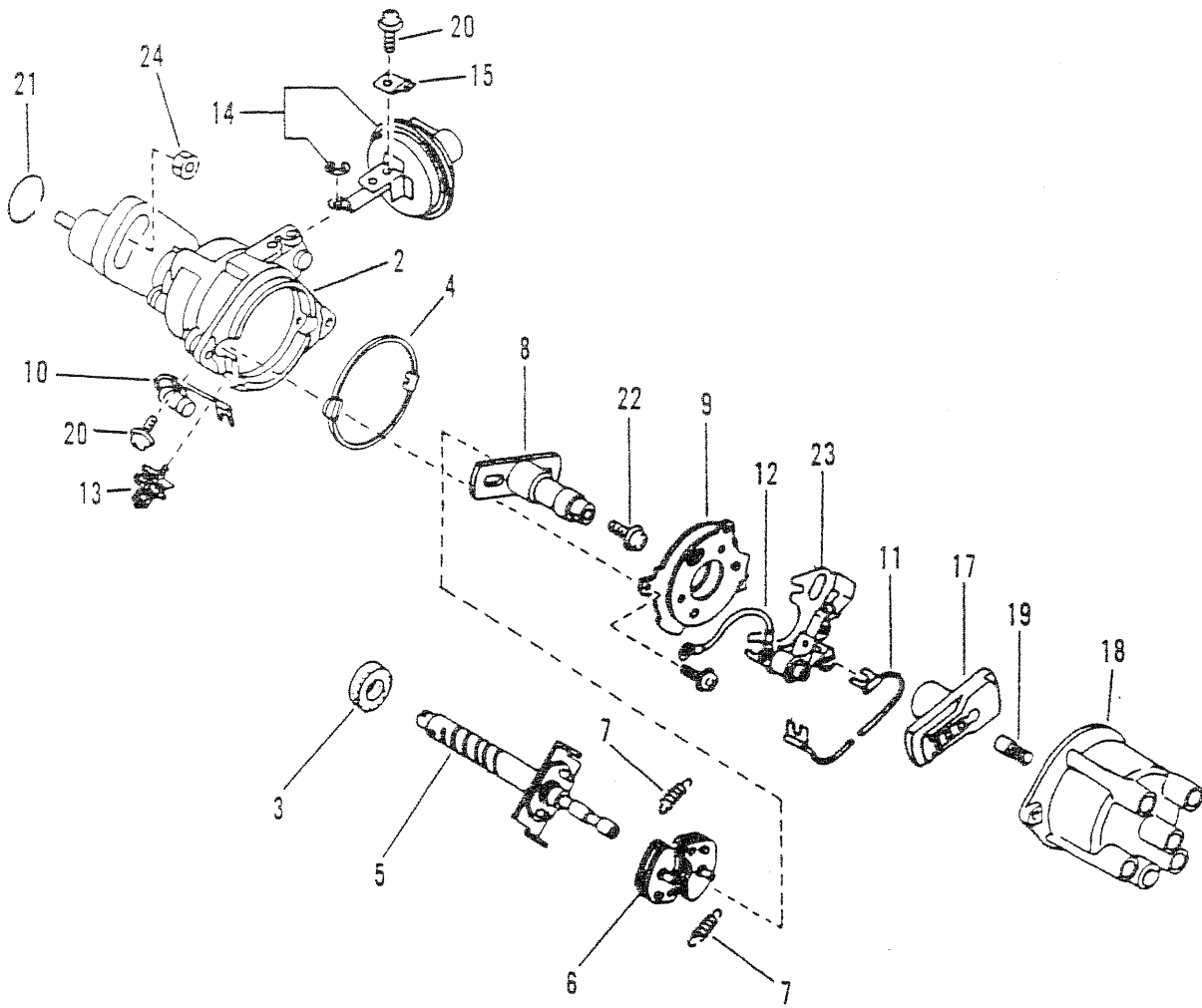
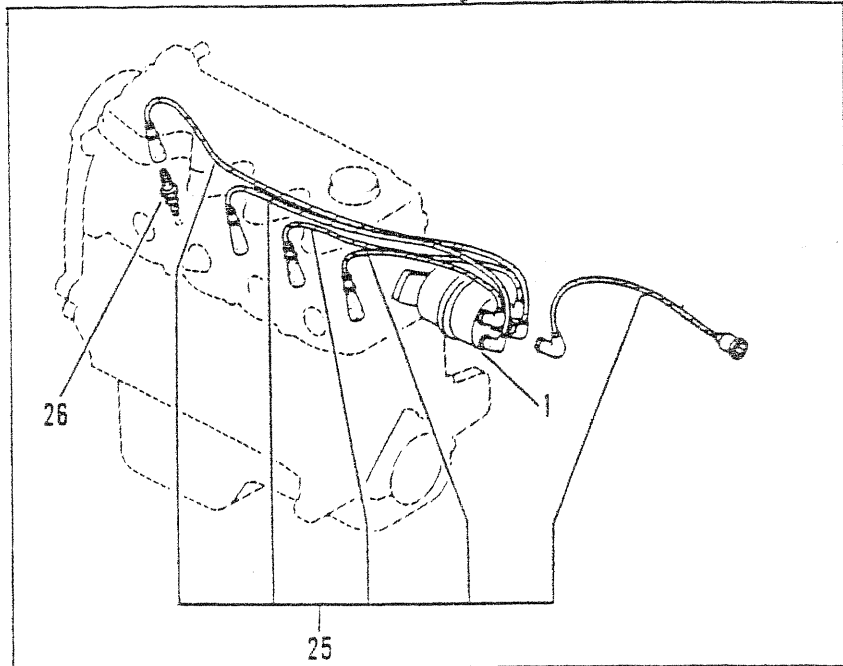
PART NO.	REF. NO.	DESCRIPTION	QUAN.
19728	—	CONTROL PANEL ASSEMBLY	1
810913	1	CONTROL PANEL	1
79-15114A1	2	OIL PRESSURE GAUGE	1
79-15109A1	3	TEMPERATURE GAUGE	1
79-15111A1	4	BATTERY METER	1
84-811127	5	WIRING HARNESS	1
811509	6	WATER TEMPERATURE SENDER	1
90806	7	OIL PRESSURE SENDER	1
37-810917	8	DECAL	1
19726	—	REMOTE START PANEL	1
811079	9	PANEL FACE	1
87-810911	10	START/STOP SWITCH	1
811080	11	ON LAMP	1

OIL PUMP



PART NO.	REF. NO.	DESCRIPTION	QUAN.
810129	1	OIL PUMP ASSEMBLY	1
16-810130	2	STUD	2
10-810131	3	BOLT	2
12-810132	4	WASHER	2
810133	5	OIL STRAINER	1
27-810134	6	GASKET, oil strainer	1
11-810135	7	NUT	2
13-810028	8	LOCKWASHER	2
810136	9	SPINDLE ASSEMBLY (SER. #C880439 AND BELOW)	1
●810986	9	SPINDLE ASSEMBLY (SER. #C880440 AND UP)	1
43-810137	10	DRIVE GEAR	1
810138	11	SPRING, oil regulator	1
43-810139	12	IDLER GEAR	1
810140	13	SHAFT, idler gear	1
10-810141	14	BOLT	2
810142	15	SUPPORT, spindle (SER. #C880439 AND BELOW)	1
●810987	15	SUPPORT, spindle (SER. #C880440 AND UP)	1
35-810144	16	OIL FILTER	1

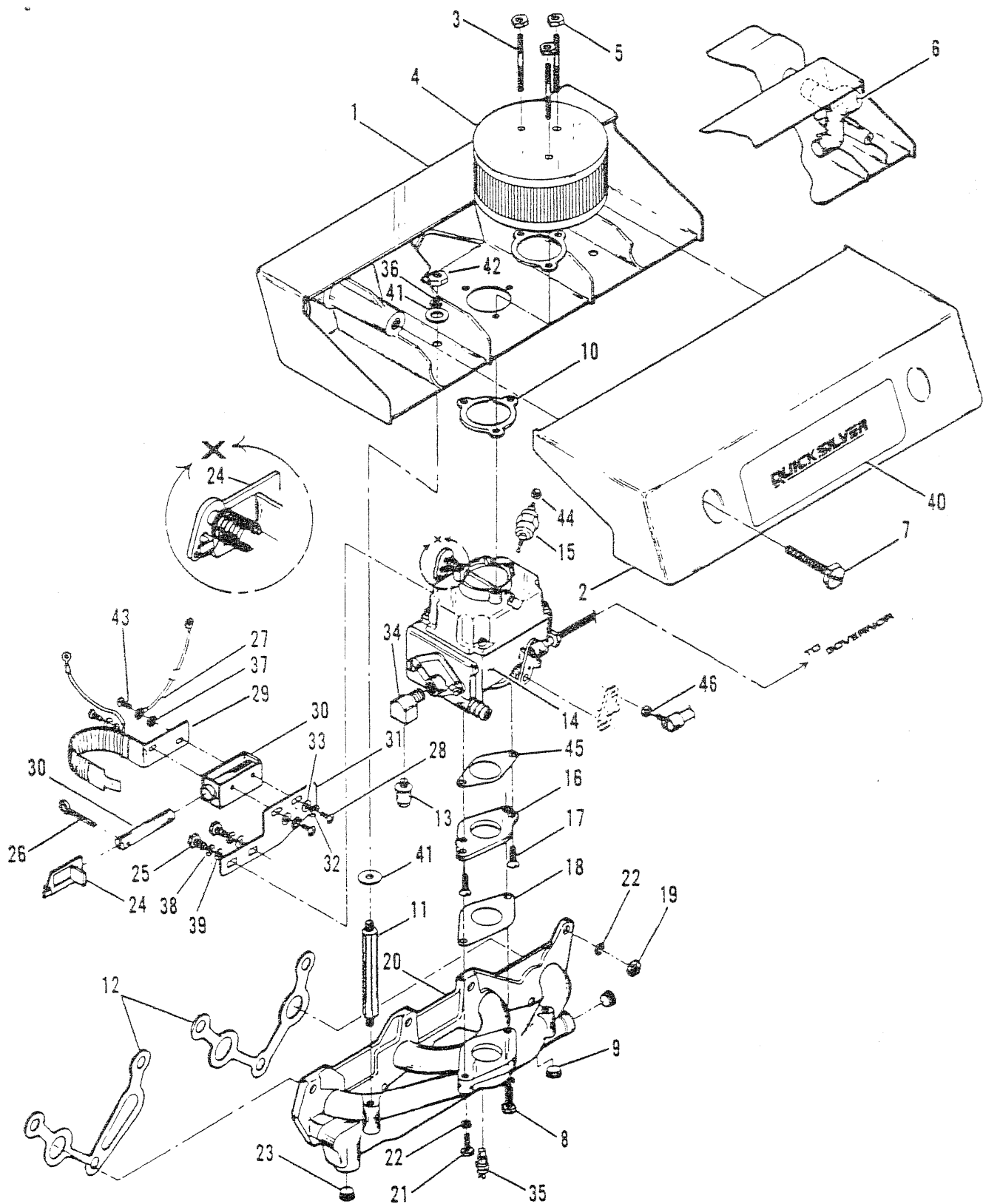
DISTRIBUTOR



DISTRIBUTOR

PART NO.	REF. NO.	DESCRIPTION	QUAN.
810882	1	DISTRIBUTOR ASSEMBLY	1
810884	2	HOUSING, distributor	1
26-810885	3	OIL SEAL	1
27-810434	4	GASKET	1
810887	5	SHAFT	1
810888	6	WEIGHT	2
24-810889	7	SPRING	2
810890	8	CAM SET	1
810891	9	PLATE	1
810892	10	CONDENSOR	1
84-810893	11	LEAD WIRE	1
84-810894	12	GROUND WIRE	1
810895	13	TERMINAL	1
810896	14	VACUUM CONTROL	1
810897	15	GROUND TERMINAL	1
810899	17	ROTOR	1
810900	18	CAP	1
810901	19	POINT	1
10-810902	20	SCREW KIT	1
25-810903	21	O-RING	1
10-810904	22	SCREW	3
810905	23	CONTACT SET	1
11-810648	24	NUT	1
84-810014	25	CABLE SET, high tension	1
33-810883	26	SPARK PLUG	4

CARBURETOR 4.0/5.0/6.5/7.5/8.0



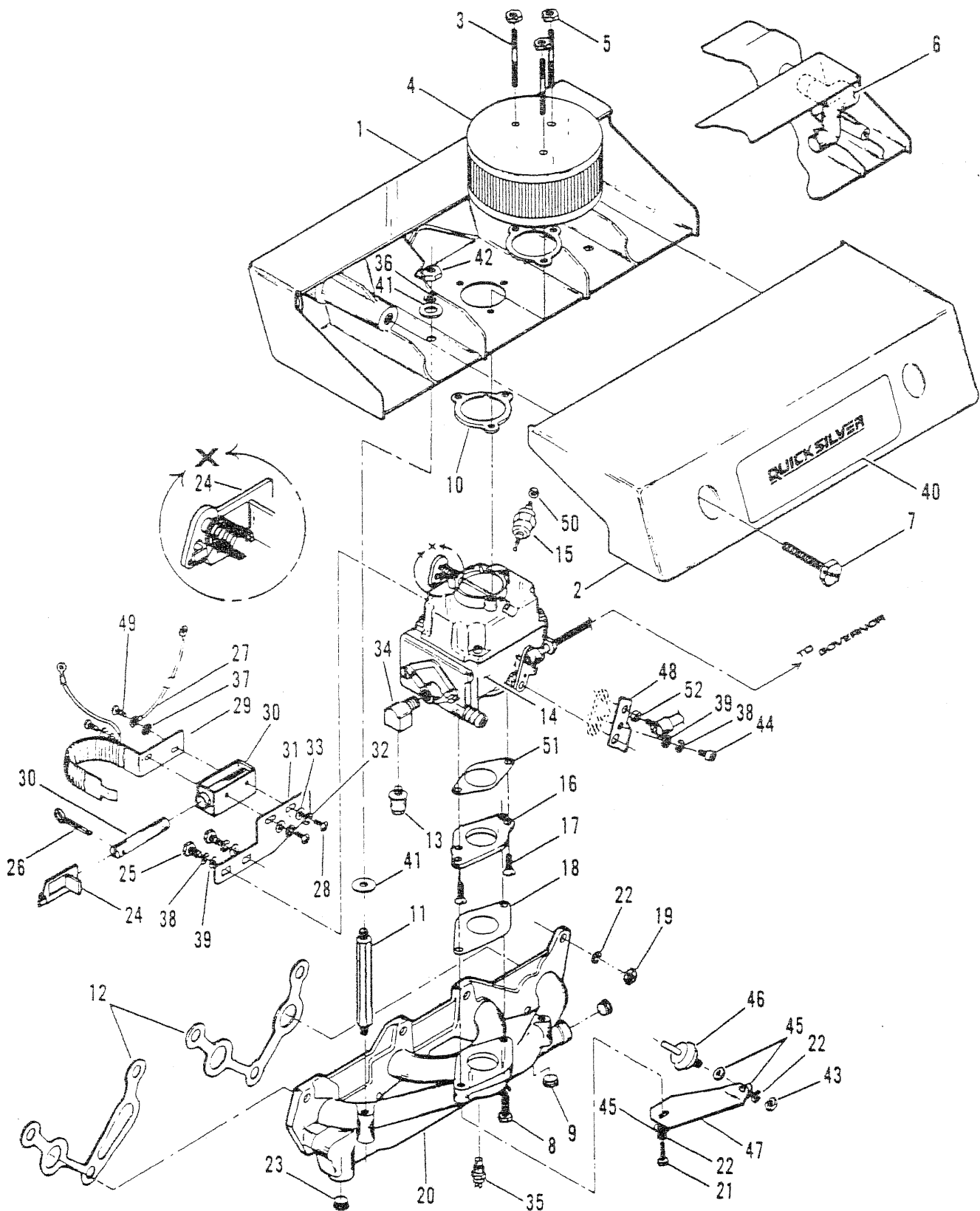
CARBURETOR 4.0/5.0/6.5/7.5/8.0

PART NO.	REF. NO.	DESCRIPTION	QUAN.
810532	1	BASE, air chamber	1
810562	2	COVER, air chamber	1
16-810688	3	STUD (10-32 X 2-3/4")	3
810639	4	FLAME ARRESTOR	1
11-810439	5	NUT	3
32-810533	6	HOSE, crankcase vent	1
10-810678	7	SCREW (10-32 X 2-3/8")	2
10-810679	8	SCREW	1
22-811114	9	PIPE PLUG	1
27-810531	10	GASKET, carburetor/air box	2
16-810865	11	STUD (M6-1.00 X 114mm)	2
27-810520	12	GASKET, engine intake manifold	1
35-810879	13	FUEL FILTER	1
1347-810641	14	CARBURETOR 72530	1
810411	15	FUEL SOLENOID	1
810644	16	ADAPTOR, carburetor	1
10-810651	17	SCREW, (1/4"-20)	2
27-810528	18	GASKET, adaptor/intake manifold	1
11-810648	19	NUT	6
810517	20	INTAKE MANIFOLD	1
10-810680	21	SCREW (M8-1.25 X 40mm)	1
13-810653	22	LOCKWASHER	8
22-810529	23	PIPE PLUG	2
810498	24	LEVER, choke control	1
10-810652	25	SCREW (10-24 X 3/8")	2
18-810535	26	COTTER PIN	1
84-811115	27	GROUND WIRE	1
10-810505	28	SCREW (4-40 X 1/4")	2
810500	29	BRACKET AND WIRE ASSEMBLY	1
810503	30	CHOKE SOLENOID	1
810645	31	BRACKET, choke solenoid	1
13-810647	32	LOCKWASHER	4
12-810646	33	WASHER	3
22-810494	34	ELBOW	1
810497	35	TEMPERATURE SWITCH	1
13-810551	36	LOCKWASHER	2
13-811116	37	LOCKWASHER	1
13-810577	38	LOCKWASHER	2
12-810866	39	WASHER	2
37-810563	40	DECAL ("QUICKSILVER")	1
12-810880	41	WASHER	4
11-810592	42	NUT	2
10-810409	43	SCREW	2
11-810410	44	NUT	1
27-810642	45	GASKET, carburetor adaptor	1
11-810702	46	NUT	1

**CARBURETOR
REPAIR KIT
810305**

74050

CARBURETOR 8.0/10.0 W/DASH POT



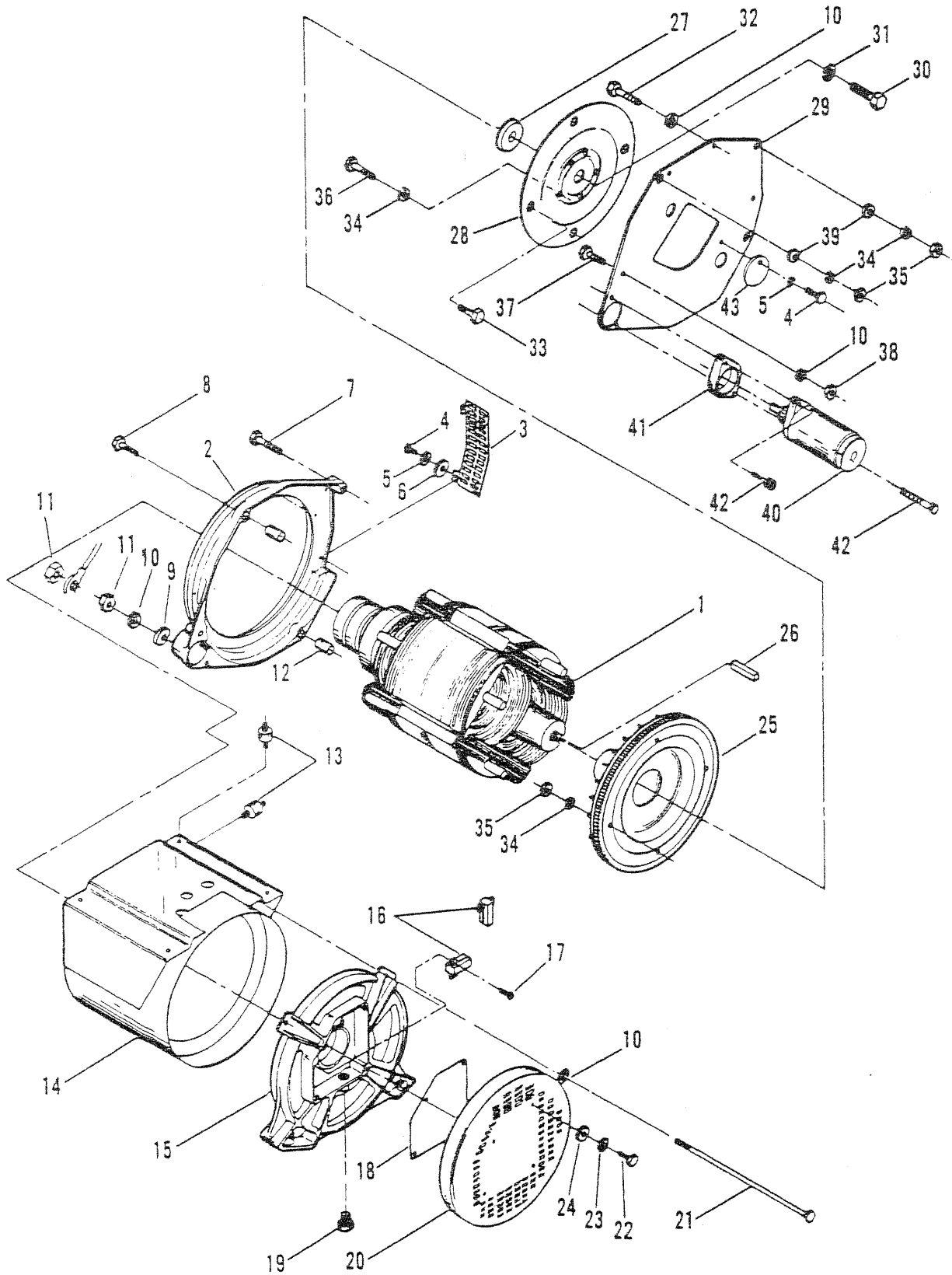
CARBURETOR 8.0/10.0 W/DASH POT

PART NO.	REF. NO.	DESCRIPTION	QUAN.
810532	1	BASE, air chamber	1
810562	2	COVER, air chamber	1
16-810688	3	STUD (10-32 X 2-3/4")	3
810639	4	FLAME ARRESTOR	1
11-810439	5	NUT	3
32-810533	6	HOSE, crankcase vent	1
10-810678	7	SCREW (10-32 X 2-3/8")	2
10-810679	8	SCREW	1
22-811114	9	PIPE PLUG	1
27-810531	10	GASKET, carburetor/air box	2
16-810865	11	STUD (M6-1.00 X 114mm)	2
27-810520	12	GASKET, engine intake manifold	1
35-810879	13	FUEL FILTER	1
1347-810641	14	CARBURETOR.	1
810411	15	FUEL SOLENOID	1
810644	16	ADAPTOR, carburetor 72531	1
10-810651	17	SCREW, (1/4"-20)	2
27-810528	18	GASKET, adaptor/intake manifold 6A863	1
11-810648	19	NUT	6
810517	20	INTAKE MANIFOLD	1
10-810650	21	SCREW (M8-1.25 X 45mm)	1
13-810653	22	LOCKWASHER	8
22-810529	23	PIPE PLUG	2
810498	24	LEVER, choke control	1
10-810652	25	SCREW (10-24 X 3/8")	2
18-810535	26	COTTER PIN	1
84-811115	27	GROUND WIRE	1
10-810505	28	SCREW (4-40 X 1/4")	2
810500	29	BRACKET	1
810503	30	CHOKE SOLENOID	1
810645	31	BRACKET, choke solenoid	1
13-810647	32	LOCKWASHER	4
12-810646	33	WASHER	3
22-810494	34	ELBOW	1
810497	35	TEMPERATURE SWITCH	1
13-810551	36	LOCKWASHER	2
13-811116	37	LOCKWASHER	1
13-810577	38	LOCKWASHER	2
12-810866	39	WASHER	2
37-810563	40	DECAL ("QUICKSILVER")	1
12-810880	41	WASHER	4
11-810592	42	NUT	2
11-810703	43	NUT	1
10-810867	44	SCREW (10-32- x 3/8")	1
12-810863	45	WASHER	2
810508	46	DASH POT	1
810555	47	BRACKET, dash pot	1
810554	48	CAM, dash pot	1
10-810409	49	SCREW	2
11-810410	50	NUT	1
27-810642	51	GASKET, carburetor adaptor 72533	1
11-810702	52	NUT	1

**CARBURETOR
REPAIR KIT
810305**

74050

ROTOR AND STATOR

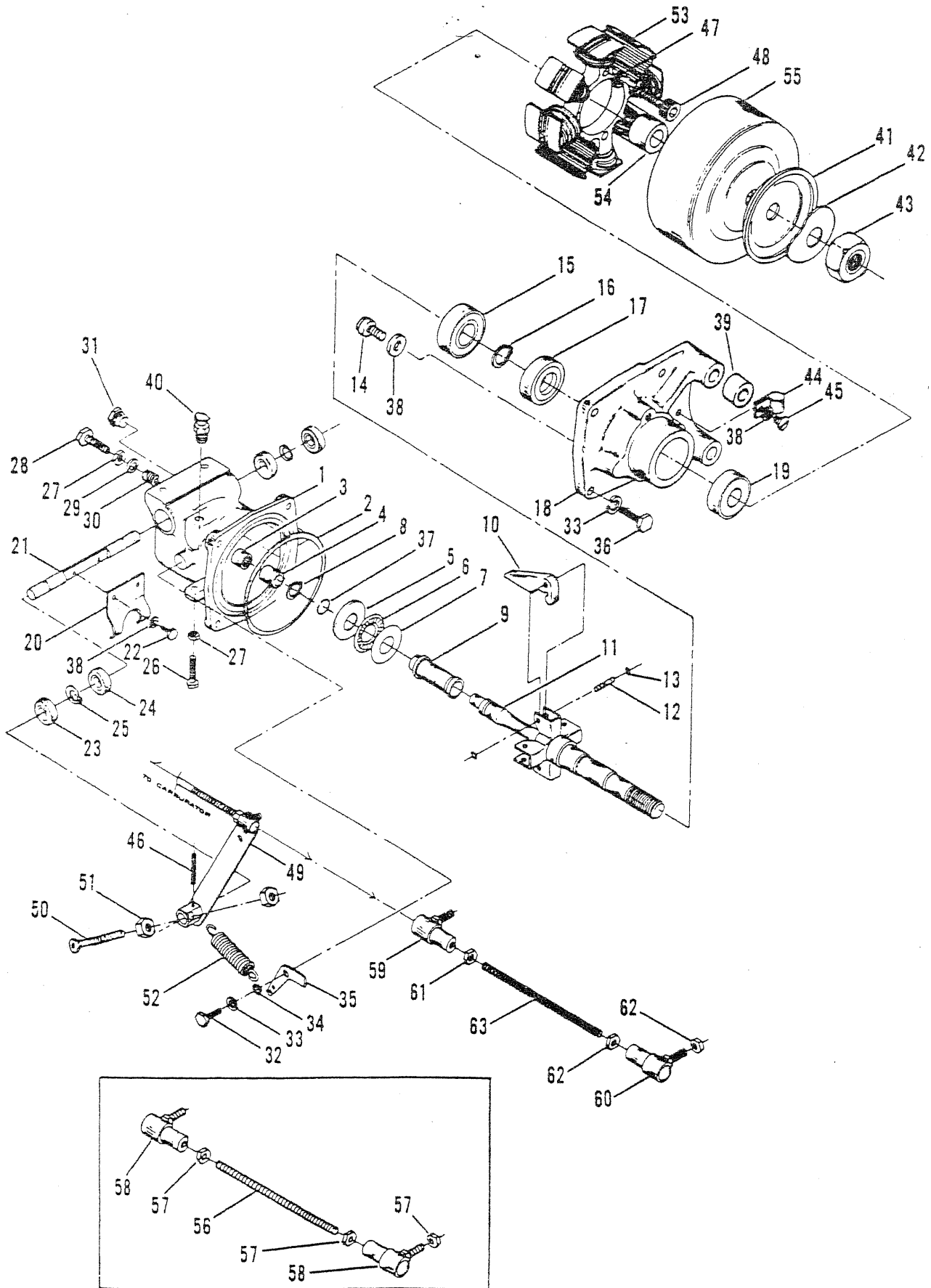


ROTOR AND STATOR

PART NO.	REF. NO.	DESCRIPTION	QUAN.
810705	1	ROTOR (4.0G)	1
810798	1	ROTOR (5.0G)	1
810707	1	ROTOR (6.5.0G)	1
810537	1	ROTOR (7.5/8.0. G)	1
● 810988	1	ROTOR (10.0G)	1
810693	2	HOUSING, blower	1
810553	3	SCREEN, air outlet	1
10- 816476	4	SCREW (M5-0.80 x 8MM)	5
13- 810577	5	LOCKWASHER	5
12- 810866	6	WASHER	4
10- 810876	7	SCREW (M10-1.50 x 70MM)	1
10- 810869	8	SCREW (M10-1.50 x 55MM)	2
12- 810863	9	WASHER	2
13- 810653	10	LOCKWASHER	9
11- 811132	11	NUT	3
23- 810694	12	SLEEVE	2
810620	13	MOUNT, vibration	8
810709	14	STATOR (4.0G)	1
810799	14	STATOR (5.0 G)	1
810706	14	STATOR (6.5G)	1
810547	14	STATOR (7.5/8.0G)	1
● 810989	14	STATOR (10.0G)	1
810511	15	CARRIER, rear bearing	1
810539	16	BRUSH HOLDER	1
10- 811065	17	SCREW (M4- 0.70 x 16MM)	4
27- 810538	18	GASKET, rear bearing carrier	1
810617	19	FLAME ARRESTOR	1
810513	20	PLATE, rear bearing carrier	1
10- 810412	21	BOLT, stator (4.0/5.0)	4
10- 810514	21	BOLT, stator (6.5/7.5/8.0)	4
● 10- 810990	21	BOLT, stator (10.0G)	4
10- 810633	22	SCREW (M6-1.00 x 16MM)	4
13- 810551	23	LOCKWASHER	4
12- 810875	24	WASHER	4
810689	25	FAN & RING GEAR	1
28- 810502	26	KEY	1
23- 810698	27	SPACER, rotor shaft	1
810516	28	COUPLING PLATE	1
810552	29	ENGINE PLATE	1
10- 810536	30	BOLT (M12 x 40MM)	1
13- 810881	31	LOCKWASHER	1
10- 810700	32	SCREW (M8-1.25 x 20MM)	3
10- 811503	33	BOLT (M10-1.5 x 30MM)	4
13- 810872	34	LOCKWASHER	12
11- 810874	35	NUT	7
10- 810870	36	SCREW (M10-1.25 x 20MM)	5
10- 810650	37	SCREW (M8-1.25 x 45MM)	1
11- 810648	38	NUT	1
12- 810873	39	WASHER	3
50- 810582	40	STARTER MOTOR	1
810635	41	ADAPTOR, starter	1
10- 810871	42	SCREW (5/16"-18 x 3-1/2")	2
811133	43	COVER PLATE	1

<u>REPAIR PARTS</u>		
810787	DRIVE KIT	(1)
810788	DRIVE PINION	(1)
810789	END CAP	(1)
810790	ARMATURE	(1)
10-68576	THRU BOLT	(1)
68587	COMMUTATOR CAP	(1)
810791	BRUSH/SPRING KIT	(1)

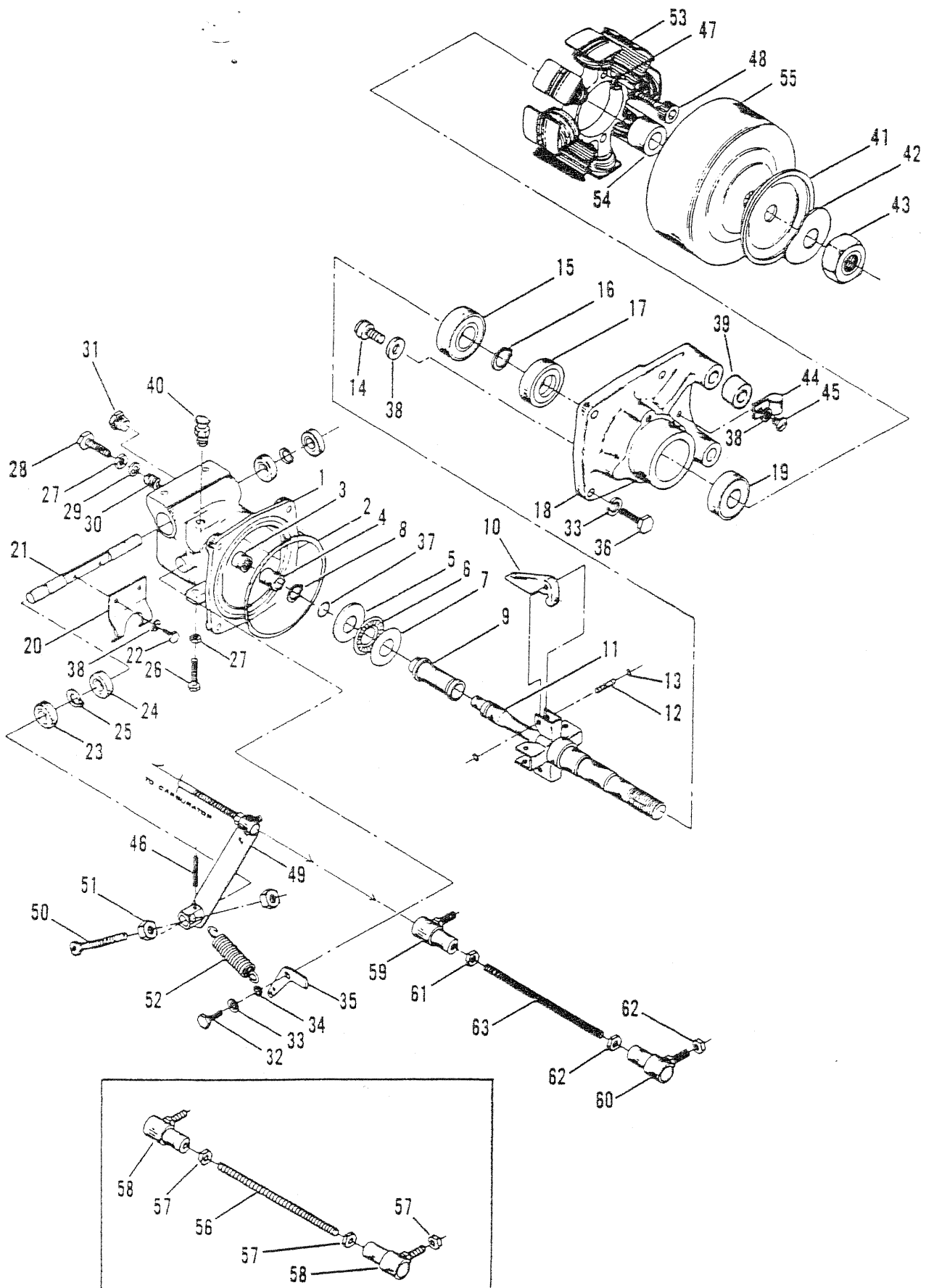
ENGINE GOVERNOR



ENGINE GOVERNOR

PART NO.	REF. NO.	DESCRIPTION	QUAN.
810711	—	GOVERNOR ASSEMBLY, COMPLETE	1
810712	—	GOVERNOR ASSEMBLY	1
N.S.S.	1	HOUSING	1
N.S.S.	2	O-RING	1
N.S.S.	3	BEARING	1
N.S.S.	4	BUSHING, inner ring bearing	1
N.S.S.	5	THRUST WASHER	1
N.S.S.	6	THRUST BEARING NEEDLE	1
N.S.S.	7	THRUST WASHER	1
N.S.S.	8	RETAINING RING	1
N.S.S.	9	THRUST SLEEVE	1
N.S.S.	10	WEIGHT	2
N.S.S.	11	DRIVE SHAFT	1
N.S.S.	12	DOWEL PIN	2
N.S.S.	13	RETAINING RING	4
N.S.S.	14	SCREW	2
N.S.S.	15	BALL BEARING	1
N.S.S.	16	RETAINING RING	1
N.S.S.	17	OIL SEAL	1
N.S.S.	18	FLANGE	1
N.S.S.	19	BALL BEARING	1
N.S.S.	20	YOKE	1
N.S.S.	21	ROCKER SHAFT	1
N.S.S.	22	SCREW (M4-0.70 x 10MM)	2
N.S.S.	23	OIL SEAL	2
N.S.S.	24	BALL BEARING	2
N.S.S.	25	RETAINING RING	2
N.S.S.	26	SCREW (M6-1.00 x 25MM)	1
N.S.S.	27	NUT	2
N.S.S.	28	SCREW	1
N.S.S.	29	WASHER	1
N.S.S.	30	SPRING	1
N.S.S.	31	PIPE PLUG	2
N.S.S.	32	SCREW (M6-1.00 x 16MM)	1
N.S.S.	33	LOCKWASHER	5
N.S.S.	34	BUSHING, tension bracket	1
N.S.S.	35	TENSION BRACKET	1
N.S.S.	36	SCREW (M6-1.00 x 20MM)	4
N.S.S.	37	RETAINING RING	1
N.S.S.	38	WASHER	2
N.S.S.	39	SPACER	2
N.S.S.	40	FITTING	1

ENGINE GOVERNOR



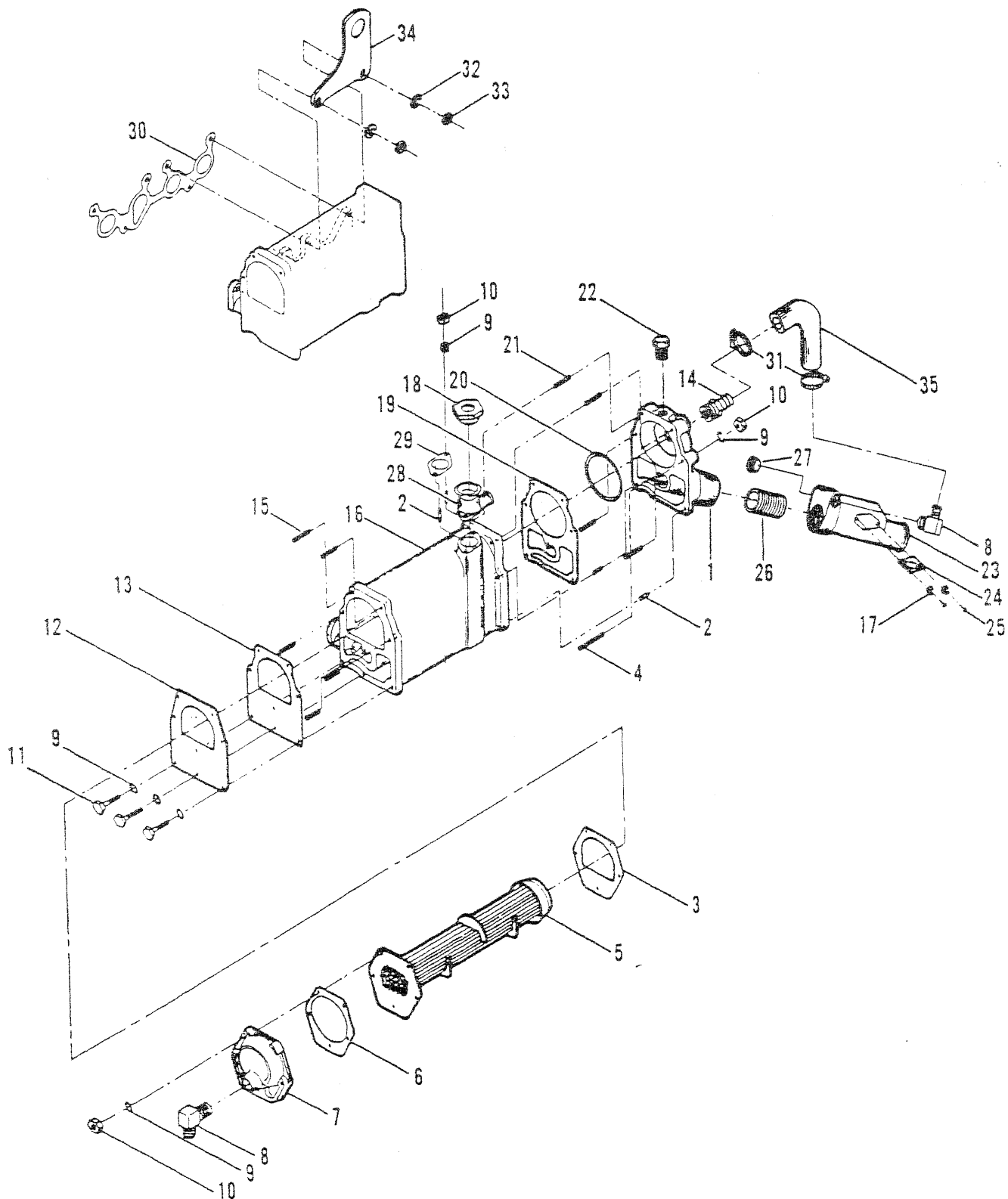
ENGINE GOVERNOR

PART NO.	REF. NO.	DESCRIPTION	QUAN.
810711	-	GOVERNOR ASSEMBLY, COMPLETE	1
810725	41	PULLEY HALF	1
13-810732	42	WAVE WASHER	1
11-810726	43	JAM NUT	1
54-810728	44	CLAMP	1
10-810730	45	SCREW (M4-0.70x8MM)	1
17-810713	46	ROLL PIN	1
13-810714	47	LOCKWASHER	5
10-810719	48	SCREW (M4-0.70x25MM)	2
810736	49	GOVERNOR LEVER	1
10-810735	50	SCREW (1/4-20x2-1/4")	1
11-810441	51	NUT	2
24-810733	52	TENSION SPRING	1
390-810731	53	STATOR ASSEMBLY	1
23-810724	54	SPACER	1
810727	55	ROTOR	1
810530	56	LINKAGE	1
11-810702	57	NUT (RIGHT HAND)	3
810518	58	BALL JOINT (RIGHT HAND)	2
811112	59	BALL JOINT (LEFT HAND)	1
810518	60	BALL JOINT (RIGHT HAND)	1
11-811113	61	NUT (LEFT HAND)	1
11-810702	62	NUT (RIGHT HAND)	2
810440	63	LINKAGE	1

- RIGHT HAND ONLY

- RIGHT HAND/
LEFT HAND

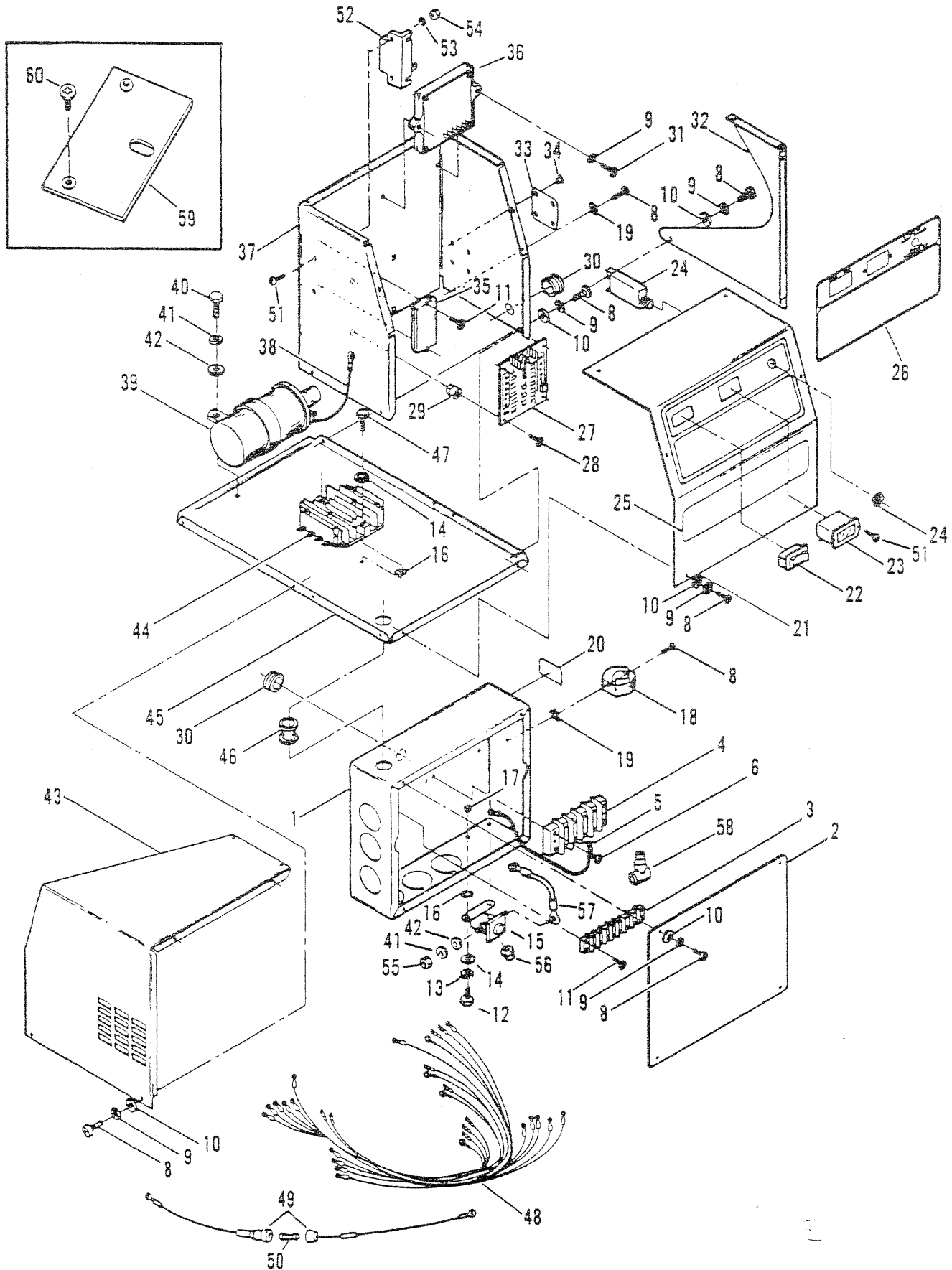
HEAT EXCHANGER AND EXHAUST MANIFOLD



HEAT EXCHANGER AND EXHAUST MANIFOLD

PART NO.	REF. NO.	DESCRIPTION	QUAN.
810585	--	HEAT EXCHANGER ASSEMBLY	1
810594	1	EXHAUST FLANGE	1
16-810607	2	STUD (M6-1.00 x 35MM)	2
27-810596	3	GASKET	1
16-810610	4	STUD (M6-1.00 x 75MM)	1
810606	5	TUBE BUNDLE ASSEMBLY	1
27-810597	6	GASKET, nozzle/exhaust manifold	1
810590	7	FLANGE, nozzle/exhaust manifold	1
22-810600	8	ELBOW	2
13-810551	9	LOCKWASHER	17
11-810592	10	NUT	14
10-810550	11	SCREW (M6-1.00 x 20MM)	3
810593	12	END PLATE	1
27-810598	13	GASKET	1
22-810877	14	CONNECTOR	1
16-810608	15	STUD (M6-1.00 X 40mm)	5
810605	16	EXHAUST MANIFOLD	1
13-811075	17	LOCKWASHER	2
36-810586	18	RADIATOR CAP	1
27-810599	19	GASKET, exhaust flange	1
25-810601	20	O-RING	1
16-810609	21	STUD (M6-1.00 x 50MM)	4
810604	22	ZINC ANODE (Ser. #C880000 & below)	1
22-810022	22	PIPE PLUG (Ser. #C880001 & up)	1
810595	23	EXHAUST OUTLET	1
811076	24	TEMPERATURE SWITCH	1
10-811077	25	SCREW (M3-0.5 x 5MM)	2
22-810602	26	FITTING, exhaust	1
22-810529	27	PIPE PLUG	1
810588	28	WATER FILL ASSEMBLY	1
27-810589	29	GASKET, water fill	1
27-810521	30	GASKET	1
54-810525	31	CLAMP	2
13-810653	32	LOCKWASHER	6
11-810648	33	NUT	6
810638	34	BRACKET	2
32-810878	35	HOSE	1

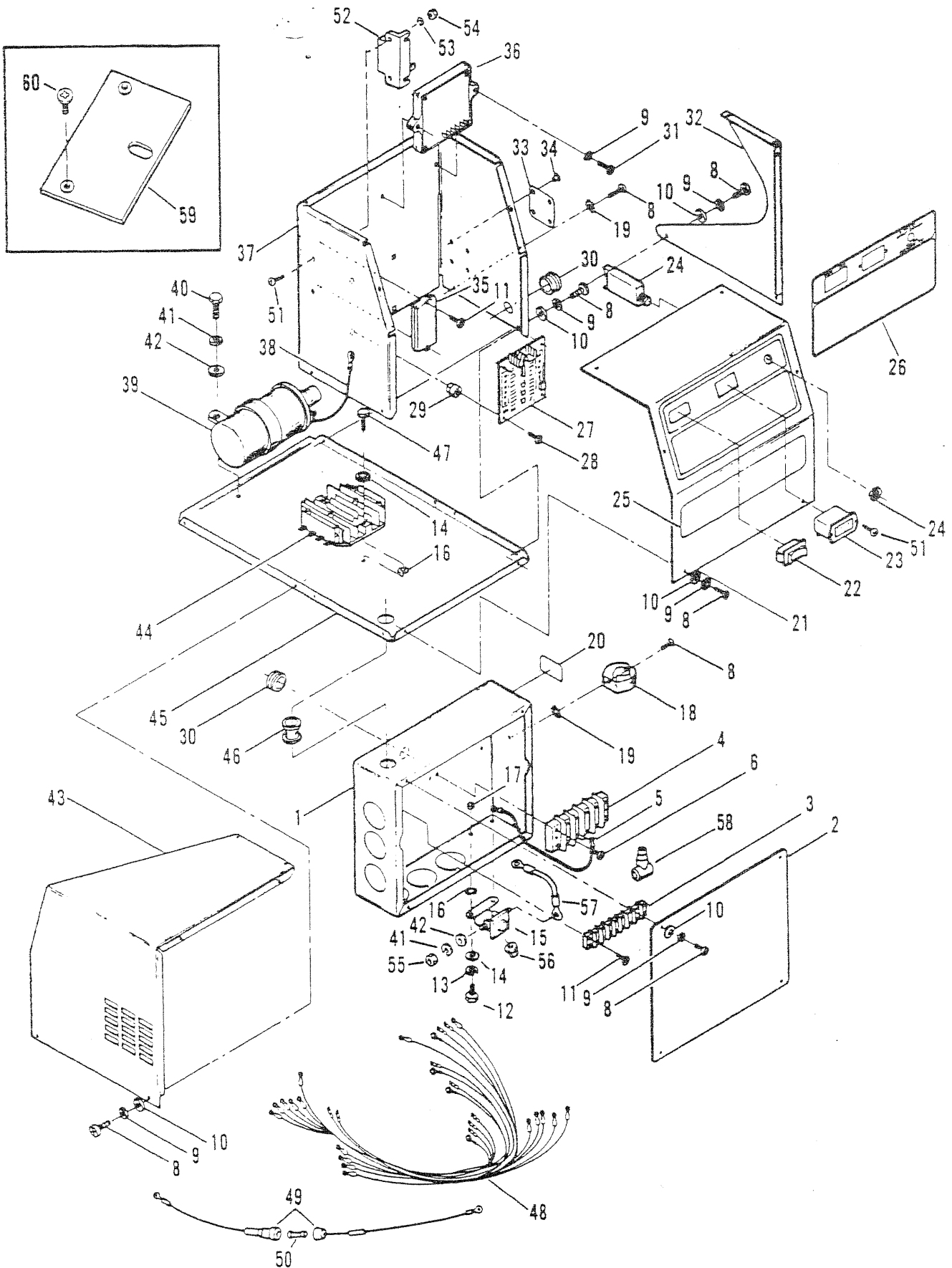
CONTROL PANEL AND CONNECTION BOX



CONTROL PANEL AND CONNECTION BOX

PART NO.	REF. NO.	DESCRIPTION	QUAN.
810687	1	CONNECTION BOX	1
810630	2	COVER, connection box	1
86-810683	3	TERMINAL BLOCK	1
86-810686	4	TERMINAL BLOCK	1
84-811055	5	WIRE ASSEMBLY	1
10-810662	6	SCREW (M5-0.80 x 20MM)	2
84-811120	7	WIRE ASSEMBLY	1
10-816476	8	SCREW (M5-0.80 x 8MM)	22
13-810577	9	LOCKWASHER	20
12-810866	10	WASHER	20
10-811065	11	SCREW (M4-0.70 x 16MM)	4
10-810633	12	SCREW (M6-1.00 x 16MM)	2
13-810551	13	LOCKWASHER	2
12-810875	14	WASHER	2
65057A1	15	STARTER SOLENOID	1
13-811069	16	LOCKWASHER	6
11-810592	17	NUT	2
810684	18	SPRING CLIP	1
13-811060	19	LOCKWASHER	2
37-810556	20	DECAL SHEET (MISCELLANEOUS)	1
810669	21	CONTROL PANEL	1
87-810664	22	SWITCH, engine start/stop	1
79-810657	23	HOURLMETER	1
88-810663	24	CIRCUIT BREAKER	1
37-810009	25	DECAL (4.0G)	1
37-810810	25	DECAL (5.0G)	1
37-810010	25	DECAL (6.5G)	1
37-810811	25	DECAL (7.5G)	1
37-810557	25	DECAL (8.0G)	1
● 37-810991	25	DECAL (10.0G)	1
37-810659	26	DECAL	1
810658	27	PC BOARD	1
10-810668	28	SCREW (M4 x 16MM)	4
11-810674	29	NUT	4
25-810656	30	GROMMET	2

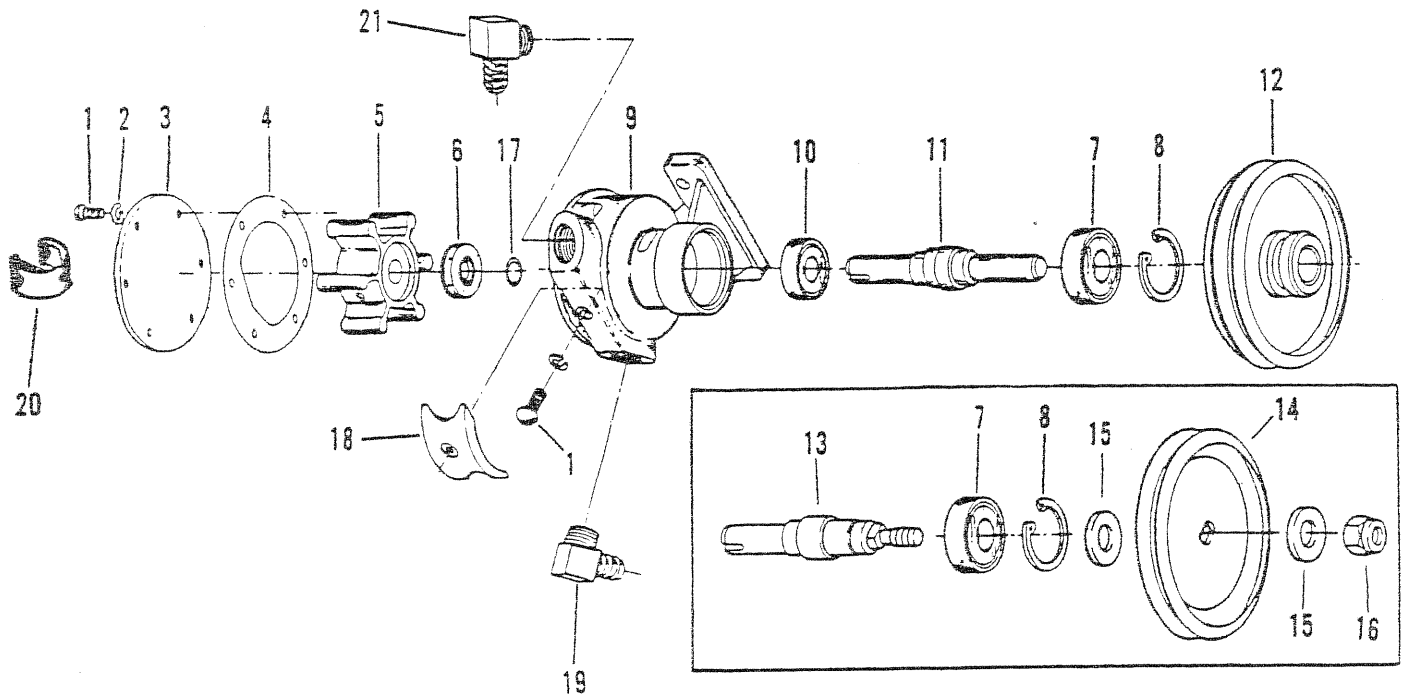
CONTROL PANEL AND CONNECTION BOX



CONTROL PANEL AND CONNECTION BOX

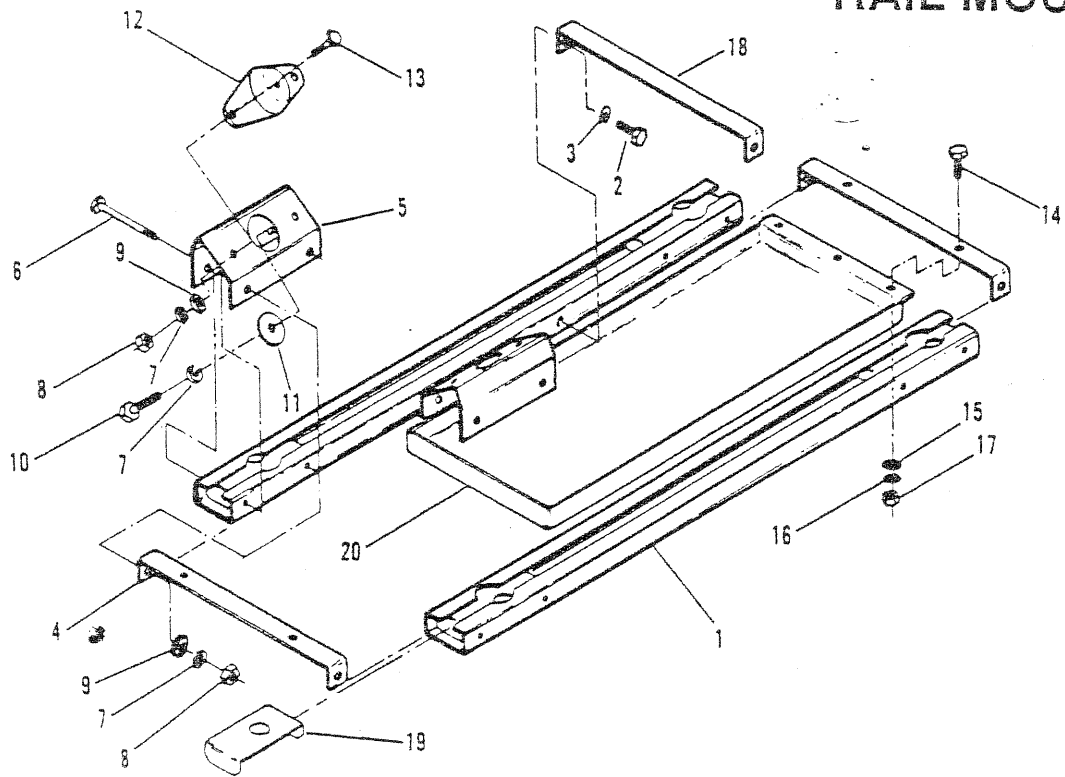
PART NO.	REF. NO.	DESCRIPTION	QUAN.
10-811061	31	SCREW (M5-0.80x30MM)	2
810667	32	SUPPORT, side panel	1
810549	33	DATA PLATE	1
17-810499	34	POP RIVET	4
810677	35	CHOKE MODULE ASEMBLY	1
810676	36	VOLTAGE REGULATOR	1
810670	37	CONTROL BOX	1
84-811119	38	WIRE ASSEMBLY	1
32193A2	39	IGNITION COIL	1
10-811105	40	SCREW (M8-1.25x16MM)	1
13-810653	41	LOCKWASHER	3
12-810863	42	WASHER	3
810631	43	COVER	1
811098	44	REGULATOR	1
810666	45	BASE PANEL	1
25-810665	46	GROMMET	1
10-810550	47	SCREW (M6-1.00x20MM)	2
84-810618	48	WIRING HARNESS	1
810303	49	FUSE HOLDER	1
88-810146	50	FUSE	1
10-810122	51	SCREW	4
88-810126	52	CIRCUIT BREAKER	1
13-811075	53	LOCKWASHER	2
11-810127	54	NUT	2
11-810703	55	NUT	2
11-810702	56	NUT	2
84-810145	57	WIRE	2
● 810992	58	BOOT (NEW DESIGN)	3
810304	59	BRACKET	1
10-810437	60	SCREW - OLD DESIGN	2

SEA WATER PUMP



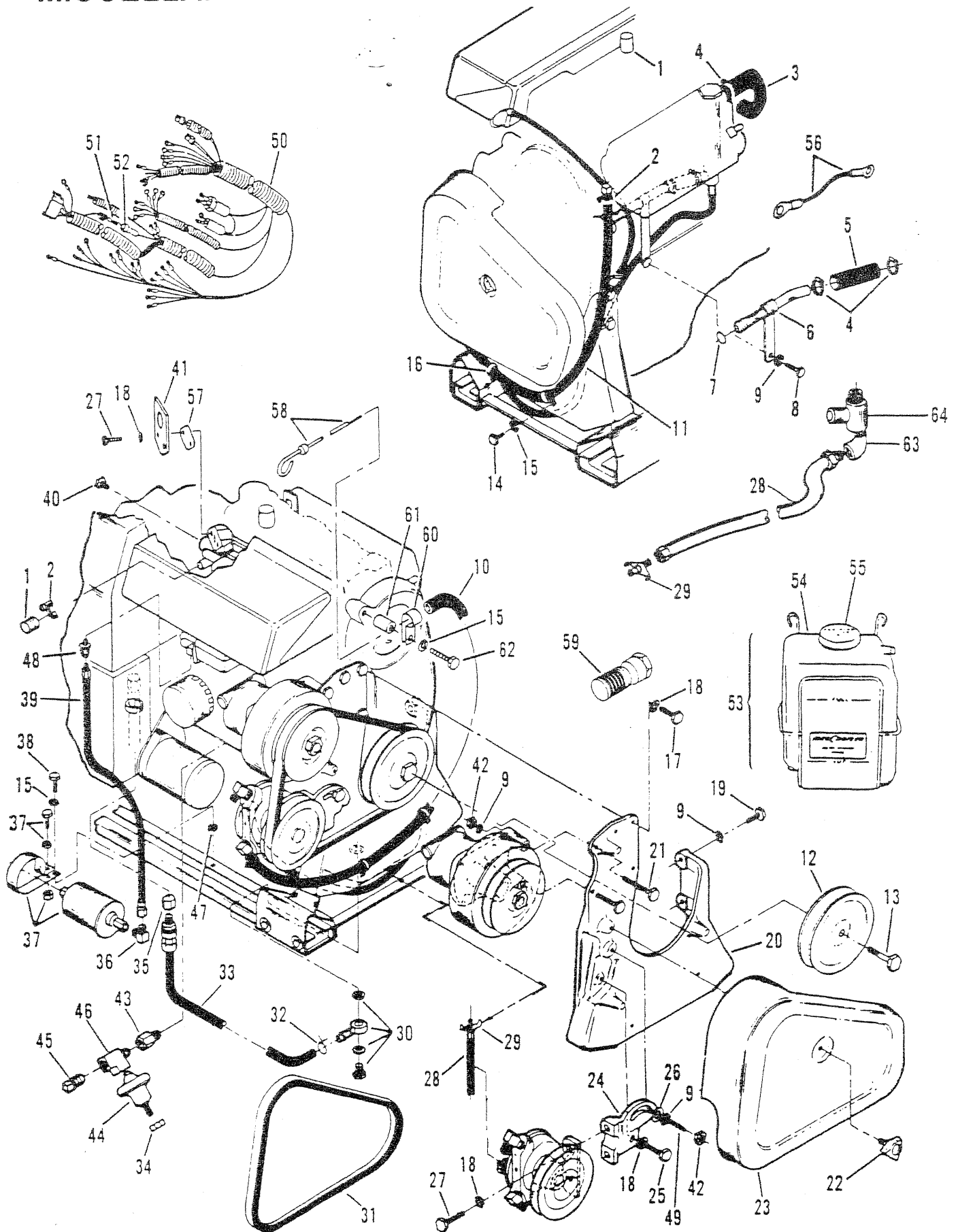
PART NO.	REF. NO.	DESCRIPTION	QUAN.
46-810800	—	SEA WATER PUMP	1
10-816476	1	SCREW (M5-0.80 x 8MM)	7
13-810577	2	LOCKWASHER	7
810571	3	BACK PLATE	1
27-810569	4	GASKET	1
47-810567	5	IMPELLER	1
26-810574	6	OIL SEAL	1
30-810579	7	BALL BEARING	1
53-810581	8	SNAP RING	1
810568	9	HOUSING	1
30-810580	10	BEARING	1
810570	11	SHAFT	1
810572	12	PULLEY	1
810793	13	SHAFT	1
810794	14	PULLEY	1
12-810795	15	WASHER	2
11-810796	16	NUT	1
25-810575	17	O-RING	1
810578	18	CAM	1
22-810573	19	ELBOW (5/8" I.D. HOSE)	1
810684	20	SPRING CLIP	1
22-810065	21	ELBOW (3/4" I.D. HOSE)	1

RAIL MOUNTING



PART NO.	REF. NO.	DESCRIPTION	QUAN.
811070	1	RAIL (4.0G)	2
810802	1	RAIL (5.0G)	2
810801	1	RAIL (6.5/8.0G)	2
810559	1	RAIL (7.5G)	2
● 811000	1	RAIL (10.0G)	2
10-810633	2	SCREW (M6-1.00 x 16MM)	2
13-810551	3	LOCKWASHER	2
10-810668	2	SCREW (M4 x 12MM)	2
13-810647	3	LOCKWASHER	2
810565	4	RAIL TIE	2
810560	5	BRACKET, vibrator isolator	4
10-810649	6	SCREW (M8-1.25 x 90MM)	8
13-810653	7	LOCKWASHER	20
11-810648	8	NUT	16
12-810863	9	WASHER	16
10-810679	10	SCREW (M8-1.25 x 60MM)	4
12-810627	11	WASHER, vibration isolator	4
810564	12	VIBRATION ISOLATOR	4
10-810700	13	SCREW (M8-1.25 x 20MM)	8
10-810633	14	SCREW (M6-1.00 x 16MM)	2
12-810875	15	WASHER	2
13-810551	16	LOCKWASHER	2
11-810592	17	NUT	2
810442	18	BRACKET	1
810629	19	SPACER, rail	4
810583	20	DRIP TRAY	1

MISCELLANEOUS PARTS

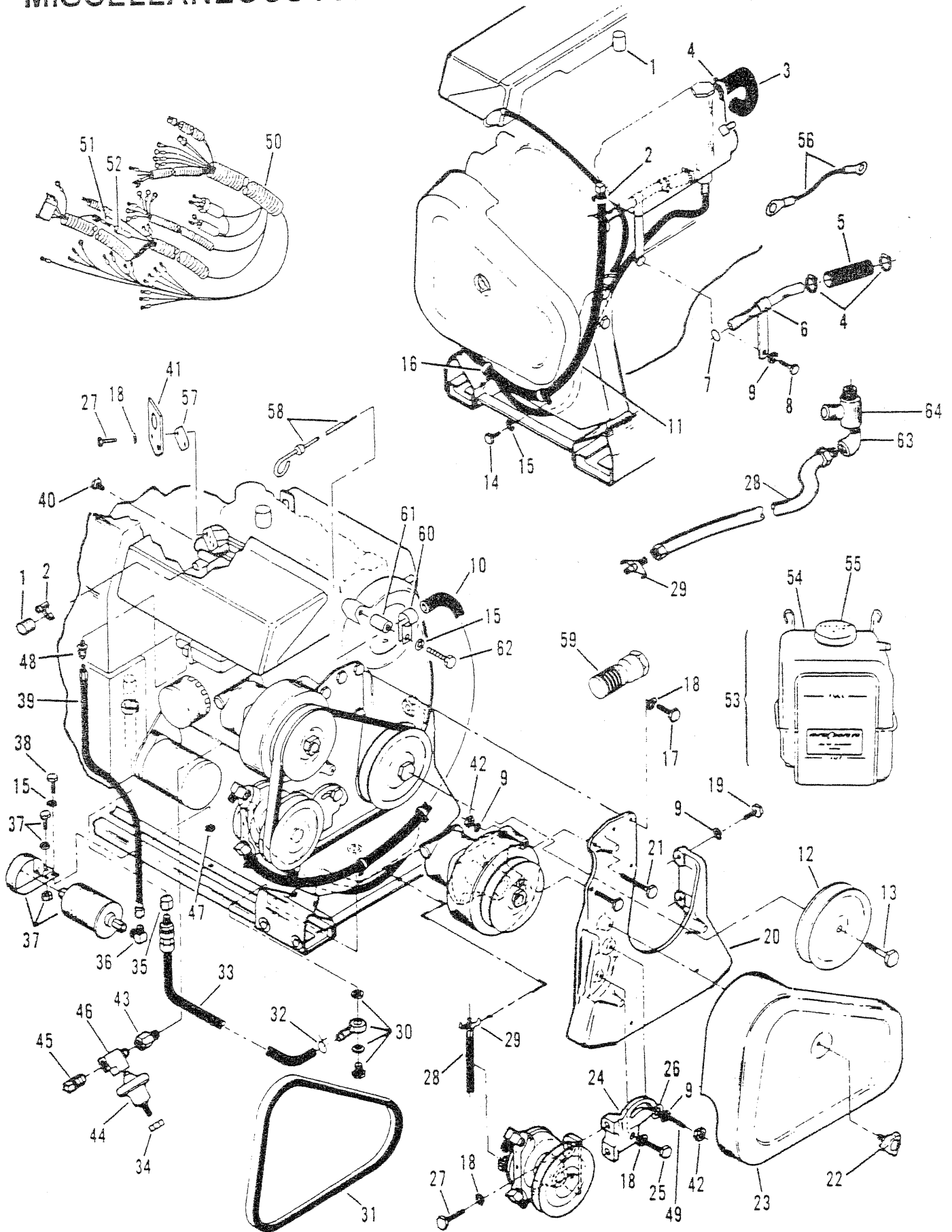


MISCELLANEOUS PARTS

PART NO.	REF. NO.	DESCRIPTION	QUAN.
810548	1	CAP	2
54-810525	2	CLAMP (SMALL)	3
32-810613	3	HOSE	1
54-810524	4	CLAMP (LARGE)	4
32-810496	5	HOSE	1
810614	6	TUBE	1
25-810522	7	O-RING	1
10-811501	8	SCREW (M10-1.50 x 15MM)	1
13-810872	9	LOCKWASHER	7
810640	10	TUBE	1
32-810507	11	HOSE	1
810584	12	PULLEY	1
10-811504	13	SCREW (M12-1.25 x 35MM)	1
10-810633	14	SCREW (M6-1.00 x 16MM)	2
13-810551	15	LOCKWASHER	3
54-811500	16	CLAMP	2
10-811502	17	SCREW (M8-1.25 x 25MM)	3
13-810653	18	LOCKWASHER	10
10-811503	19	SCREW (M10-1.50 x 30MM)	2
810628	20	MOUNT	1
10-810876	21	SCREW (M10-1.50 x 75MM)	2
810619	22	KNOB	1
810636	23	GUARD	1
810626	24	BRACKET	1
10-810407	25	SCREW (M8-1.25 x 30MM)	1
12-810873	26	WASHER	1
10-810700	27	SCREW (M8-1.25 x 20MM)	4
32-811507	28	HOSE	2
22-810506	29	DRAIN COCK	2
22-810696	30	FITTING	1
57-810501	31	BELT	1

SERIAL #C880000 & BELOW

MISCELLANEOUS PARTS

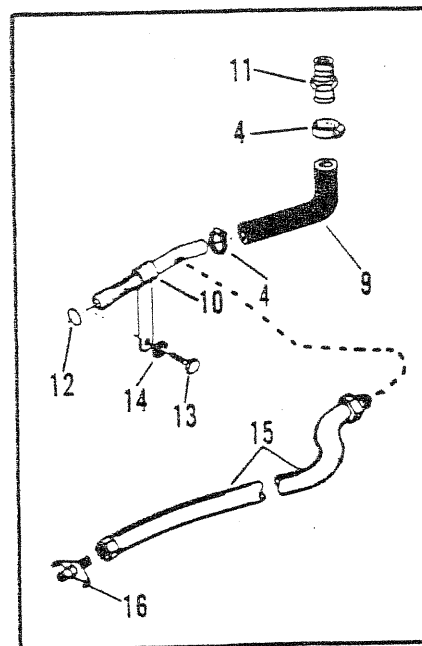
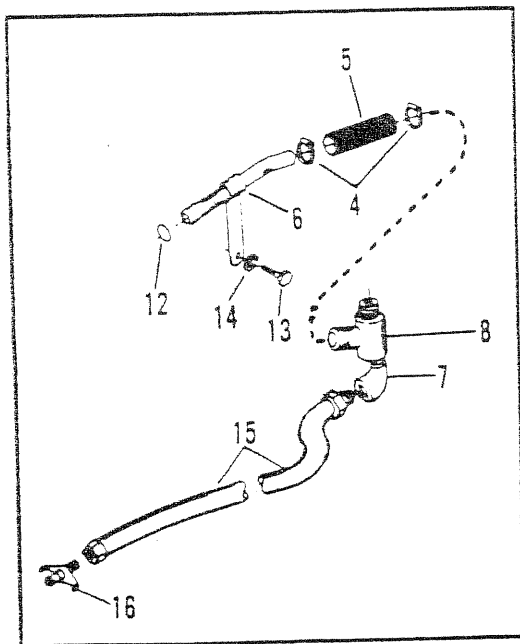
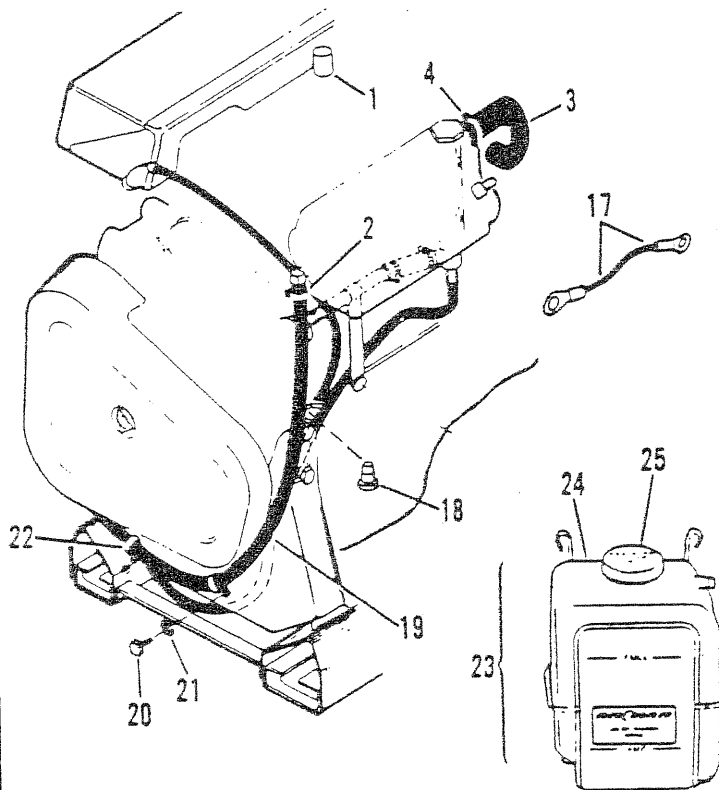
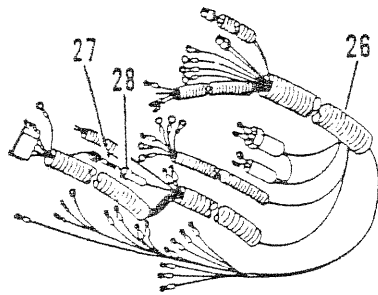


MISCELLANEOUS PARTS

PART NO.	REF. NO.	DESCRIPTION	QUAN.
54-810561	32	CLAMP	1
32-810504	33	HOSE	1
11-810418	34	NUT	1
810512	35	CAP	1
22-810558	36	FITTING	1
811508	37	FUEL PUMP ASSEMBLY	1
10-810633	38	SCREW (M6-1.00 x 16MM)	1
32-810527	39	FUEL LINE	1
22-810534	40	PLUG	1
810637	41	BRACKET	1
11-810874	42	NUT	3
22-811088	43	ADAPTOR	1
87-811089	44	OIL PRESSURE SWITCH	1
22-811114	45	PIPE PLUG	1
22-811090	46	TEE	1
13-811069	47	LOCKWASHER	1
35-810879	48	FUEL FILTER	1
16-811118	49	STUD	1
84-810697	50	WIRING HARNESS	1
88-810672	51	FUSE (30 AMP.)	1
810675	52	FUSE HOLDER	1
71587A10	53	COOLANT RECOVERY KIT	1
71587A7	54	BOTTLE	1
72058	55	CAP	1
84-810414	56	GROUND WIRE	1
27-810419	57	GASKET	1
810413	58	DIPSTICK	1
810420	59	ANTI-SIPHON VALVE	1
54-810415	60	CLAMP	1
23-810416	61	SPACER	1
10-810417	62	SCREW	1
22-810494	63	ELBOW	1
22-810587	64	FITTING	1

SERIAL #C880000 & BELOW

MISCELLANEOUS PARTS



MISCELLANEOUS PARTS

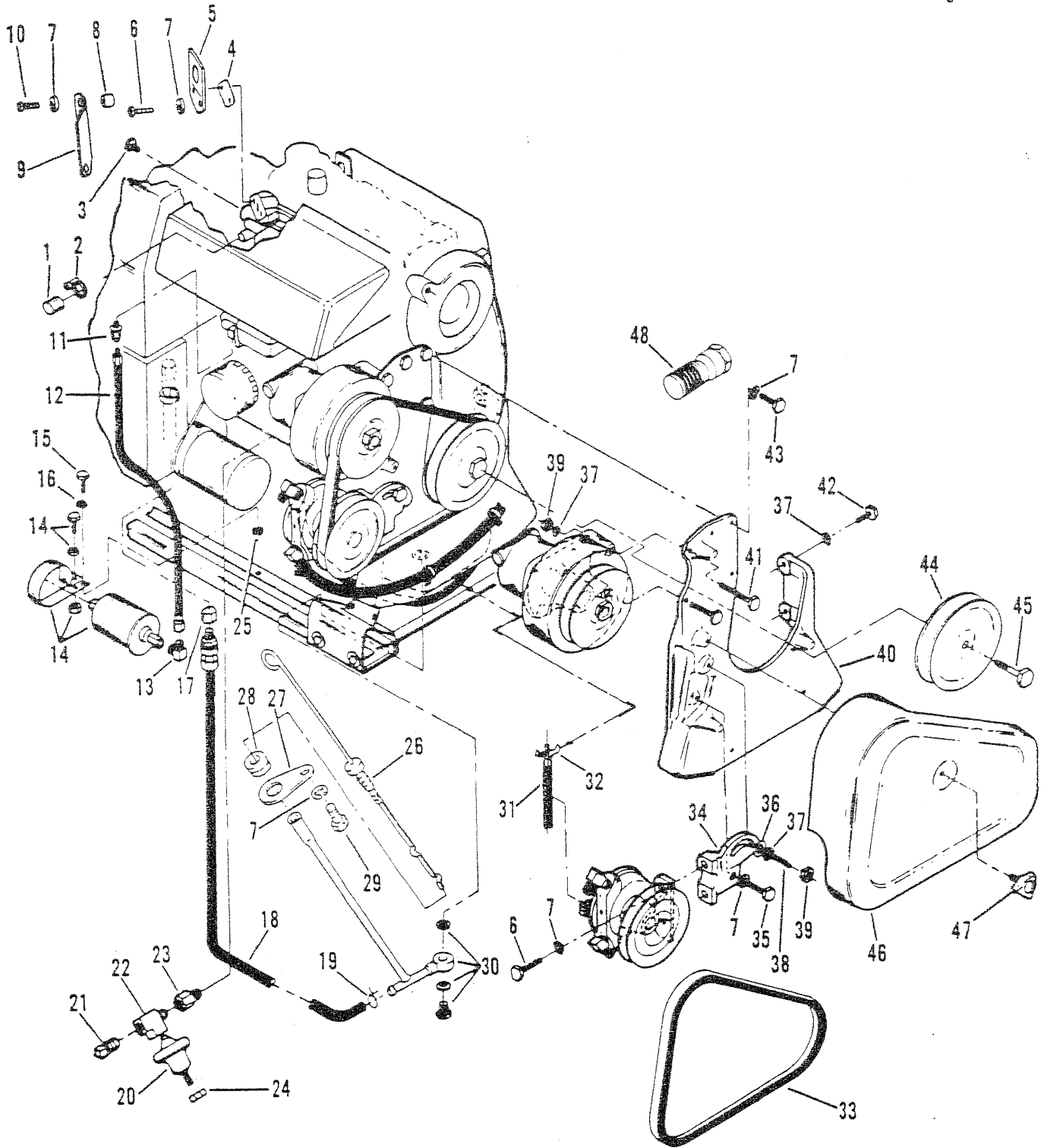
PART NO.	REF. NO.	DESCRIPTION	QUAN.
810548	1	CAP	1
54-810525	2	CLAMP (SMALL)	2
32-810613	3	HOSE	1
54-810524	4	CLAMP (LARGE)	4
32-810496	5	HOSE (Ser. #C880001 thru C880439)	1
● 32-810993	5	HOSE (Ser. #C880440 and up)	1
810614	6	TUBE	1
22-810494	7	ELBOW	1
22-810587	8	FITTING	1
● 32-810994	9	HOSE	1
● 810995	10	TUBE	1
22-811073	11	CONNECTOR	1
25-810522	12	O-RING	1
10-811501	13	SCREW (M10-1.50 x 15MM)	1
13-810872	14	LOCKWASHER	1
32-811507	15	HOSE	1
22-810506	16	DRAIN COCK	1
84-810414	17	GROUND WIRE	1
● 19-810998	18	PLUG	1
32-810507	19	HOSE	1
10-810633	20	SCREW (M6-1.00 x 16MM)	2
13-810551	21	LOCKWASHER	2
54-811500	22	CLAMP	2
71587A10	23	COOLANT RECOVERY KIT	1
71587A7	24	BOTTLE	1
72058	25	CAP	1
84-810697	26	WIRING HARNESS	1
88-810672	27	FUSE (30AMP.)	1
810675	28	FUSE HOLDER	1

OLD DESIGN

NEW DESIGN

SERIAL #C880001 & UP

MISCELLANEOUS PARTS



MISCELLANEOUS PARTS

PART NO.	REF. NO.	DESCRIPTION	QUAN.
810548	1	CAP	1
54-810525	2	CLAMP (SMALL)	1
22-810534	3	PLUG	1
27-810419	4	GASKET	1
810637	5	BRACKET	1
10-810700	6	SCREW (M8-1.25 x 20MM)	4
13-810653	7	LOCKWASHER	11
●23-810997	8	SPACER	1
●810996	9	BRACKET	1
10-810680	10	SCREW	1
35-810879	11	FUEL FILTER	1
32-810527	12	FUEL LINE	1
22-810558	13	FITTING	1
811508	14	FUEL PUMP ASSEMBLY	1
10-810633	15	SCREW (M6-1.00 x 16MM)	1
13-810551	16	LOCKWASHER	1
810512	17	CAP	1
32-810504	18	HOSE	1
54-810561	19	CLAMP	1
87-811089	20	OIL PRESSURE SWITCH	1
22-811114	21	PIPE PLUG	1
22-811090	22	TEE	1
22-811088	23	ADAPTOR	1
11-810418	24	NUT	1
13-811069	25	LOCKWASHER	1
810804	26	DIPSTICK	1
810805	27	BRACKET	1
25-810806	28	GROMMET	1
10-811105	29	SCREW (M8-1.25 x 16MM)	1
22-810803	30	TUBE FITTING	1
32-811507	31	HOSE	1
22-810506	32	DRAIN COCK	1
57-810501	33	BELT	1
810626	34	BRACKET	1
10-810407	35	SCREW (M8-1.25 x 30MM)	1
12-810873	36	WASHER	1
13-810872	37	LOCKWASHER	6
16-811118	38	STUD	1
11-810874	39	NUT	3
810628	40	MOUNT	1
10-810876	41	SCREW (M10-1.50 x 75MM)	2
10-811503	42	SCREW (M10-1.50 x 30MM)	2
10-811502	43	SCREW	3
810584	44	PULLEY	1
10-811504	45	SCREW (M12-1.25 x 35MM)	1
810636	46	GUARD	1
810619	47	KNOB	1
810420	48	ANTI-SIPHON VALVE	1

SERIAL
#C880001
& UP

