

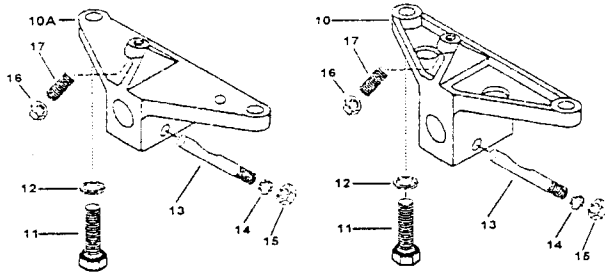
ENGINE MOUNT GROUP

REF NO.	PART NUMBER	CODE	DESCRIPTION	QTY	APP	ROT
FORD FRONT MOUNT						
1	RC091001	F	Trunnion Assembly, Items 1A Through 9	2	All Ford Front	All
1A	RA092016	F	Trunnion Assembly, Items 1A Through 9	2	AR	All
	R092005	F	Foot, Mount As Pictured	2	All Ford Front	All
1A	R092016	F	Foot, Mount Flat Surface Mount With Vertical Section Removed	2	AR	All
2	R095001	F	Stud, Trunnion	2	All Ford Front	All
3	R091001	F	Trunnion For PCM Standard 3/4" Stud	2	All Front	All
3	R091001	F	Trunnion For After Market 5/8" Stud	2	AR	All
4	RS1075	F	Nut, Adjustment And Lock 3/4"-10	4	All Ford Front	All
5	RS2186	F	Washer, Lock Adjusting Nut 3/4"	2	All Ford Front	All
6	R096043	F	Washer, Flat Isolator Top	2	All Ford Front	All
7	R094007	F	Isolator, Rubber	2	All Ford Front	All
8	R096001	F	Washer, Flat Isolator Lower	2	All Ford Front	All
9	RS1082	U	Nut, Two Way Locking, Stud Retaining {Special} 5/8"-18	2	All Ford Front	All
FORD MOUNT BRACKETS						
10	R090001	F	Bracket, Engine Mounting Front (1:1)	2	All 1:1	All
10	RK090001	F	Kit, Bracket Engine Mounting {Includes 10, 13, 14 And 15}	2	All 1:1	All
10A	R090144	F	Bracket, Engine Mounting Front (1.23:1)	2	PCM 1.23	All
10A	RK090144	F	Kit, Bracket Engine Mounting {Includes 10, 13, 14 And 15}	2	PCM 1.23	All
11	RS0330	U	Bolt, Bracket To Engine 7/16"-14 x 1 3/4"	4	All Ford Front	All
12	RS2181	U	Washer, Lock Bracket Bolt 7/16"	4	All Ford Front	All
13	R095020	F	Stud, Trunnion Locking {Special}	3	All Ford Front	All
14	RS2181	U	Washer, Lock Clamp Bolt 7/16"	4	All Ford Front	All
15	RS1529	U	Nut, Clamp Bolt 7/16"-20	4	All Ford Front	All
16	RS1027	U	Nut, Steady Rest Screw 5/16"-18	2	All Ford Front	All
17	RS3426	U	Stud, Steady Rest, Hex Socket Head 5/16"-18 x 1 1/4"	2	All Ford Front	All
GM FRONT MOUNT						
13	RS95020	U	Bolt, Trunnion Wedge	2	All GM	All
14	RS2181	U	Washer, Lock 7/16"	2	All GM	All
15	RS1529	U	Nut, Trunnion Wedge Bolt 7/16" 20	2	All GM	All
18	RS2180	U	Washer, Lock 3/8"	4	5.0,5.7	All
18	RS2181	U	Washer, Lock 7/16"	2	5.0,5.7	All
19	RS0306	U	Bolt, Short Mount Bracket Attaching 3/8" 16 x 1 1/2"	4	5.0, 5.7	All
19	RS0328	U	Bolt, Short Mount Bracket Attaching 7/16" 14 x 1 1/4"	4	7.4	All
19	RS0311	U	Bolt, Tall Front Mount Bracket Attaching 3/8" 16 x 2 3/4"	2	AR	All
20	RS3442	U	Stud, Tall Front Mount Bracket Attaching 3/8" 16 x 2"	2	AR	All
20A	RS1028	U	Nut, Hex Head 3/8" 16	2	AR	All
21	RS90071	GM	Bracket, Front Mount (Short)	AR	All GM	All
22	RS90071A	GM	Bracket, Front Mount (Tall)	AR	All GM	All
REAR MOUNT {All Reverse And Reduction Gears and Vee Drives}						
9	RS1082	U	Nut, Two Way Self Locking 5/8"-18	2	All	All
11	RS0329	U	Bolt, Bracket To Drive 7/16"-14 x 1 1/2"	4	1998 On	All
			{Use With R090205 Bracket}	2	All	All
13	R095020	U	Stud, Trunnion Locking {Special}	2	All	All
14	RS2181	U	Washer, Clamp Bolt Lock 7/16"	2	All	All
15	RS1529	U	Nut, Trunnion Locking Stud 7/16"-20	2	All	All
18	RS2181	U	Washer, Bracket Bolt Lock 7/16"	4	All	All
19	RS0328	U	Bolt, Bracket To Drive 7/16"-14 x 1 1/4"	4	All To 1998	All
			{Use With R090145 Bracket}	2	All 1:1 To 1998	All
23	RA091003	U	Trunnion, Assembly. {Includes 23A thru 31+9} Original Trunnion	2	PCM 1.23:1 To 1998	All
23	RA092011	U	Trunnion, Assembly. {Includes 23A thru 31+9} Long Trunnion	2	All 1:1 1998 On	All
23	RA091006	U	Trunnion, Assembly. {Includes 23A thru 31+9} Short Trunnion	2	All 1:1 1998 On	All
23	RA092011A	U	Trunnion, Assembly. {Includes 23A thru 31+9} Short Trunnion	2	All 1:1	All
23A	R092003	U	Foot, Rear Mount	2	All 1:1	All
23B	R092011	U	Foot, Rear Mount	2	PCM 1.23	All

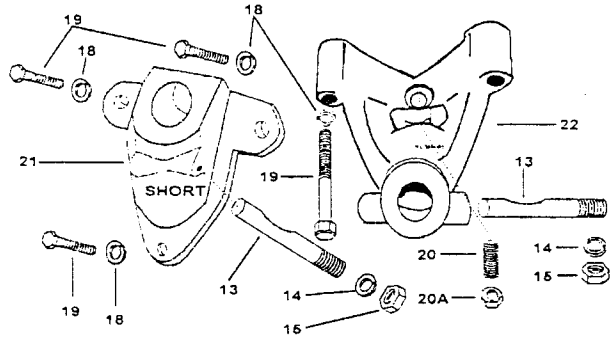
THE ILLUSTRATION FOR REFERENCE NUMBERS ON THIS PAGE WILL BE FOUND ON FIGURE M1

ENGINE AND TRANSMISSION MOUNTS

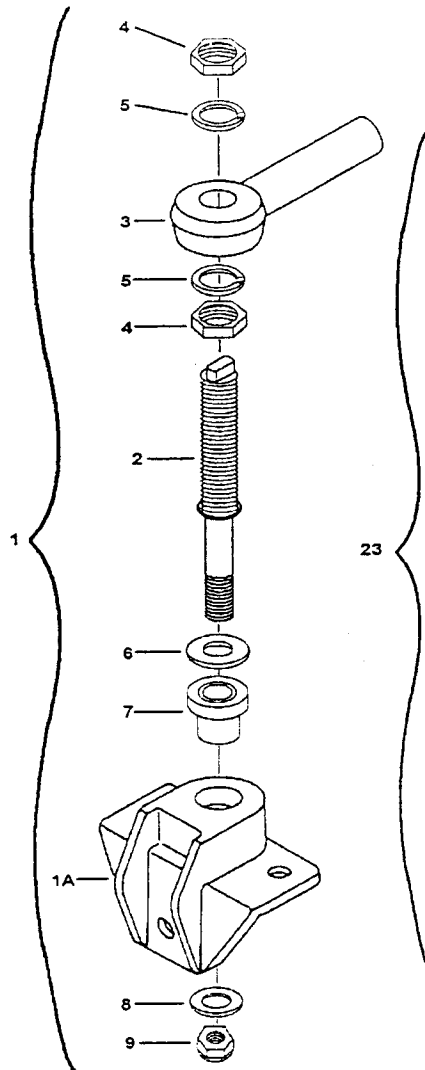
FORD ATTACHING BRACKETS



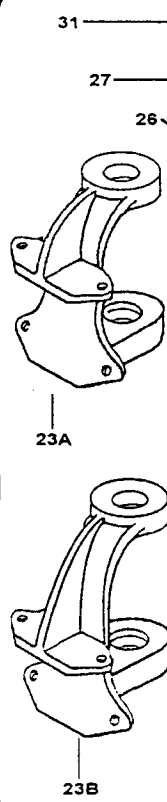
GM FRONT



FORD FRONT



REAR MOUNT



REAR MOUNT BRACKET

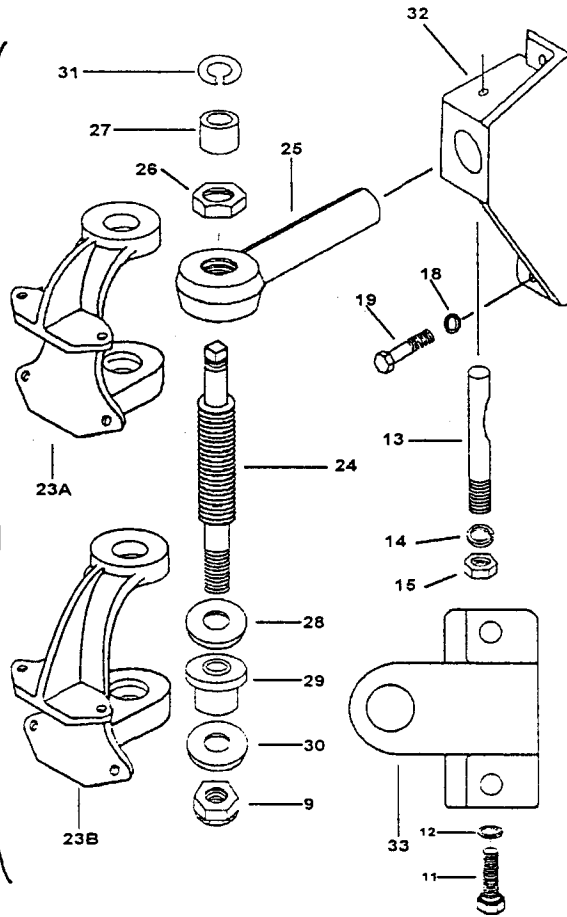


FIGURE M1

D:mountse

ENGINE MOUNT GROUP

REF NO.	PART NUMBER	CODE	DESCRIPTION	QTY	APP	ROT
24	R095002	U	Stud, Trunnion	2	All	All
25	R091003	U	Trunnion Original {R090145 Bracket, Long}	2	All	All
25	R091006	U	Trunnion Space Saver Bracket {R090205 Bracket, Short}	2	1998 On	All
26	RS1577	U	Nut, Adjustment And Lock 1"-14	2	All	All
27	R094004	U	Isolator	2	All	All
28	R096001	U	Washer, Flat Isolator,, Top	2	All	All
29	R094017	U	Isolator, Rubber Rear Mount Lower	2	All	All
30	R096002	U	Washer, Flat Lower Isolator	2	All	All
31	R017032	U	Snap Ring	2	All	All
NI	R090022A	U	Bracket, {HURTH} Drive Attaching {Includes 13, 14 And 15}	2	All	All
NI	R090174	U	Bracket, Cast {HURTH} Drive Attaching {Includes 13, 14 And 15}	2	All	All
NI	R090022B	U	Bracket, {TWIN DISK} Drive Attaching {Includes 13, 14 And 15}	2	All	All
NI	R090022C	U	Bracket, {WARNER 5000} Drive Attaching {Includes 13, 14 & 15}	2	All	All
NI	R090200	U	Bracket, {WARNER 5000} Drive Attaching Right {Includes 13, 14 & 15}	2	All	All
NI	R090201	U	Bracket, {WARNER 5000} Drive Attaching Left {Includes 13, 14 And 15}	2	All	All
32	R090145	U	Bracket, Drive Attaching {Optional After 1998}	2	Prior To 1998	All
33	R090205	U	Bracket, Drive Attaching Space Saving {All Except VEE Drive Applications}	2	1998 On	All

THE ILLUSTRATION FOR REFERENCE NUMBERS ON THIS PAGE WILL BE FOUND ON FIGURE M1

ENGINE AND TRANSMISSION MOUNTS

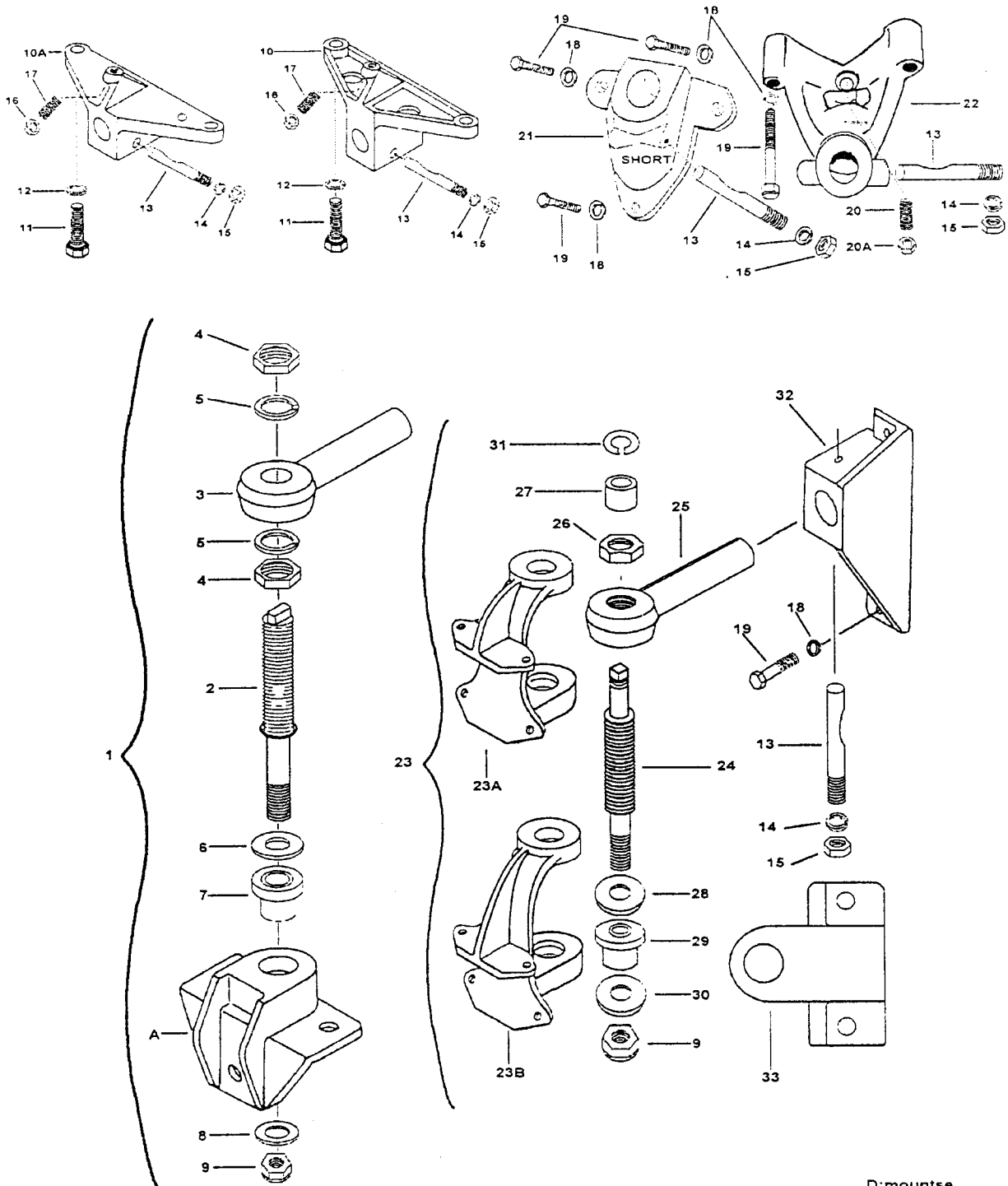


FIGURE M1

D:mountse