

GM 5.7 AND 7.4 TBI

REF NO.	PART NUMBER	CODE	DESCRIPTION	QTY	APP	ROT
5.7 PARTS						
1	R109047	U	Plate, Fuel Pump Block Mounting Hole Cover	1	5.7	All
2	RM0122	U	Gasket, Fuel Pump Plate To Block	1	5.7	All
3	R116013A	GM	Module, Main Processor (ECM) Blue ID Color {Thru 1998}	1	5.7 Std & GEN 1+	All
3	R116013B	GM	Module, Main Processor (ECM) Red ID Color {Thru 1998}	1	All APEX	All
3	R116017A	GM	Module, Main Processor (ECM) {Top Connector}	1	5.7 TBI	All
3	R116017B	GM	Module, Main Processor (ECM) {Top Connector}	1	5.7 MPI	All
4	R116014	GM	Module, Ignition Control In Delco Distributor	1	5.7	All
5	R020027	GM	Sensor, Knock	1	5.7 EFI	All
6	RA052021	GM	Throttle Body, Assembly, 5.7	1	5.7 EFI	All
NI	R143097	GM	Decal, "Pro Ski 5.7 EFI" 2 Color Black/Red	1	5.7 EFI	All
NI	R143120	GM	Decal, Engine Specification 3 1/4" X 2 1/2"	1	5.7 EFI	All

7.4 PARTS

3	R116013C	GM	Module, Main Processor (ECM) White ID Color	1	7.4 EFI	All
3	R116013D	GM	Module, Main Processor (ECM) Gold ID Color	1	L29 7.4 MPI	All
3	R116017C	GM	Module, Main Processor (ECM) {1999 & Later}	1	7.4/8.2 MPI	All
4	R116015	GM	Module, Ignition Control In Delco Distributor	1	7.4	All
5	R020029	GM	Sensor, Knock	1	7.4 EFI	All
6	RA052022	GM	Throttle Body, Assembly, 7.4 GM	1	7.4 EFI	All
29	R090125	GM	Bracket, Feed Pump Mounting	1	7.4 EFI 1994 - 1998	All
30	NEED P/N	GM	Bracket, Feed Pump Mounting	1	7.4 1999 On	All
42	RM0237	GM	Gasket, Adapter To Intake Manifold	1	All 7.4 EFI	All
43	R009158	U	Screw, Socket Head Cap Tapered Seat 5/16" - 18 x 1"	4	7.4 Std	All
44	R079060	GM	Adapter, Intake 4V Pattern To TBI 2V Pattern	1	7.4 TBI	All

COMMON PARTS 5.7 AND 7.4

7	R090182	GM	Bracket, ECM And Relay Mounting	1	All EFI Before 1999	All
7	R090182A	GM	Bracket, ECM And Relay Mounting	1	EFI 1999 On	All
8	R090184	GM	Bracket, Relay Mounting	1	All EFI	All
9	R024181	GM	Fitting, Special Pressure Take Off Between TBI And Fuel Inlet Line	1	All EFI	All
10	RM0240	GM	Gasket, TBI Base To Intake Adapter	1	All EFI	All
11	R116012	GM	Module, Knock	1	All EFI	All
12	R047215	GM	"O" Ring Fuel Line Sealing Inlet To TBI	2	All EFI	All
13	R047216	GM	"O" Ring Fuel Line Sealing Outlet From GM TBI	1	All EFI	All
13A	R060055	GM	Cover, ECM	1	All EFI 1999 On	All
14	R130012	GM	Relay, System And Fuel Pump	2	All EFI	All
15	R020019	GM	Sensor, Water Temperature {ECT}	1	All EFI	All
16	R020017	GM	Sensor, Manifold Absolute Pressure {MAP}	1	All EFI	All
NI	R143120	GM	Decal, Engine Specification	1	All GM EFI	All
17	R009159	GM	Bolt, HWHCS 5/16" - 18 x 2" Attaches TBI To Adapter	3	All EFI	All
18	R090178	GM	Bracket, Map Sensor Mounting	1	All EFI	All
19	R121047A	U	Harness, Fused (40 Amp) Constant Power Feed {Batt. Connection}	1	AR	All
20	R153015	U	Fuse, 40 Amp Blade Type	1	AR	All
21	R045099	GM	Hose, Molded Map Sensor To TBI Vacuum Fitting	1	All EFI	All
22	RA009160	U	Bolt, 1/4" x 20 x 3 3/4" Zinc Plated with Plastic Rosette	1	All EFI	All
23	RM0129	GM	Gasket, Flame Arrester To Throttle Body	1	All EFI	All
24	R035034	GM	Valve, PCV	1	All EFI	All
25	R090183	GM	Bracket, Throttle Cable Anchor	1	All EFI	All
NI	R024188	GM	Fitting, 45° Street Elbow 1/4" Male NPT To 1/4" Female NPT	1	All EFI	All
27	RA121064	GM	Harness, Fuel Injection Section	1	All EFI Before 1999	All
27	RA21067A	GM	Harness, Fuel Injection Section	1	1999 On MPI	All
27	R121064A	GM	Harness, Fuel Injection Section	1	1999 On EFI	All
NI	R127060	U	Clamp, Harness Retaining	1	All	All
28	R145018	GM	Flame Arrester	1	All GM EFI	All
29	R090180	GM	Bracket, Feed Pump Mounting	1	All EFI	All
31	NPN	U	Fuse, 15 Amp (Acquire Locally)	1	All EFI	All
32	RS5126	U	Screw, Self-Tapping #10 - 24 x 5/8"	2	All EFI	All
33	RS5084	U	Screw, #8 - 32 x 3/4"	2	All	All

THE ILLUSTRATION FOR REFERENCE NUMBERS ON THIS PAGE WILL BE FOUND ON FIGURE F7

GM 5.7 and 7.4 TBI

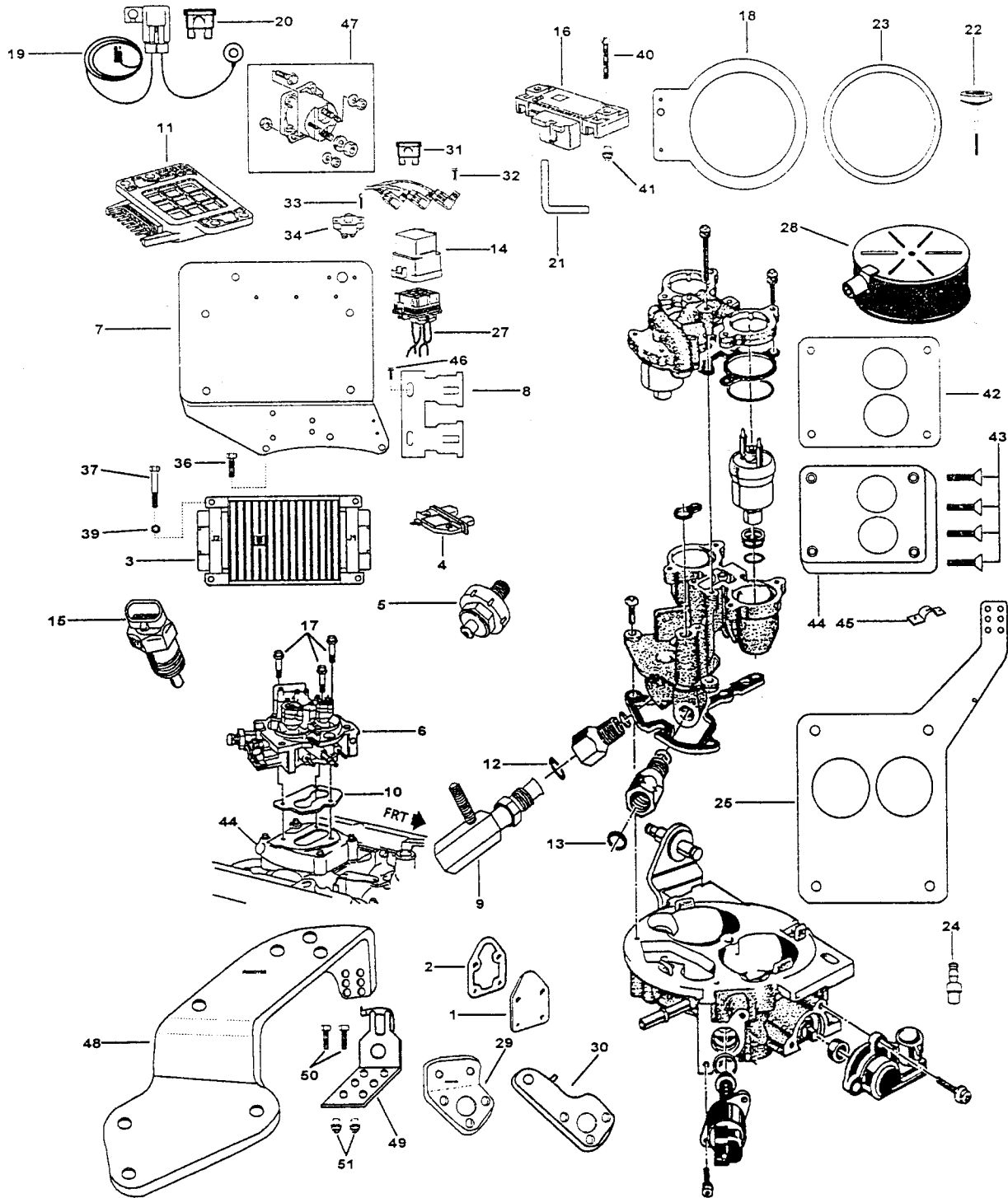


FIGURE F7

gm-tbi

GM 5.7 AND 7.4 TBI

REF NO.	PART NUMBER	CODE	DESCRIPTION	QTY	APP	ROT
34	R153007	U	Breaker, Circuit Ignition 12.5 Amp	1	All	All
34	R153006B	U	Breaker, Circuit Ignition, 50 Amp	1	All	All
35			Number Not Used			
36	RS0280	U	Bolt, ECM And Relay Bracket Mounting 5/16" - 18 x 3/4"	2	All	All
37	RS0258	U	Bolt, Hex Head 1/4" - 20 x 1 1/2"	4	All	All
39	RS01078	U	Nut, Hex Head with Shakeproof Washer, 1/4" - 20 x 7/16"	4	All	All
40	RS5108	U	Screw, Machine #10 - 32 x 1"	2	All	All
41	RS2055	U	Nut, Nylock Insert #10 - 32	2	All	All
45	R090070	U	Clamp, Throttle Cable	1	All	All
46	RS5126	U	Screw, Hex Head with Slot, Self Tapping #10 - 24 x 5/8"	2	All	All
47	R130001	U	Relay, Starter (See Page E3-1 For Details)	1	All	All
48	R090190	GM	Bracket, Coil Mounting	1	5.7	All
48	R090191	GM	Bracket, Coil Mounting	1	7.4	All
49	R090086	U	Bracket, Throttle Cable Anchor	1	All	All
50	RS5122	U	Bolt, 10 - 32 x 5/8"	2	All	All
51	RS2055	U	Nut, 10 - 32, Self Locking	2	All	All

FUEL LINES

NI	RA085065	GM	Line, Fuel Feed FCC To TBI {High Pressure}	1	All EFI	All
NI	RA085066	GM	Line, Fuel Return TBI To FCC {Return Pressure}	1	All EFI	All

THE ILLUSTRATION FOR REFERENCE NUMBERS ON THIS PAGE WILL BE FOUND ON FIGURE F7

GM 5.7 and 7.4 TBI

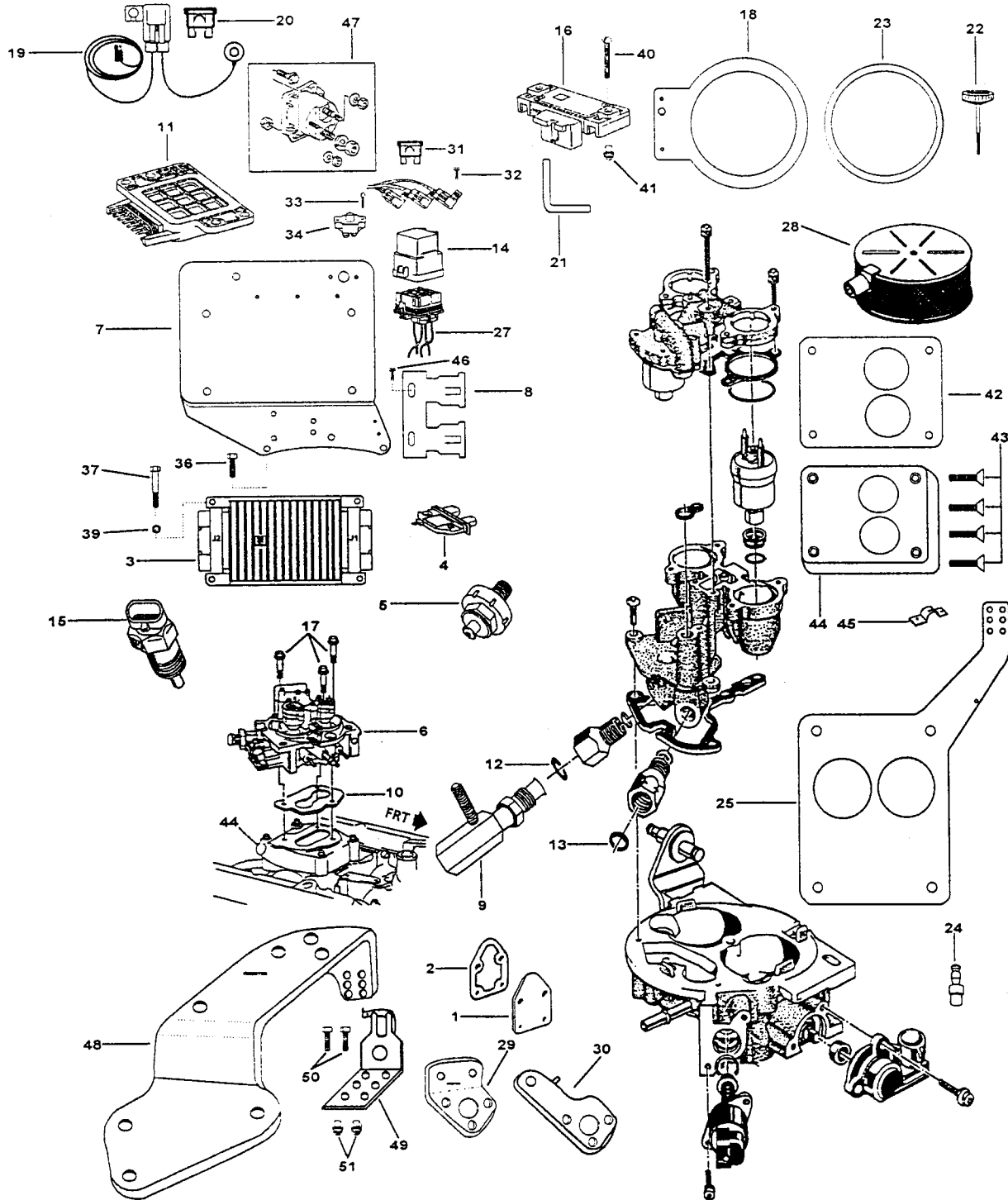


FIGURE F7

gm-tbi

GM 4.3 AND 5.7 REPOWER

REF NO.	PART NUMBER	CODE	DESCRIPTION	QTY	APP	ROT
---------	-------------	------	-------------	-----	-----	-----

GM 3.0 REPOWER

..... RB001014A GM Base Engine, 3.0 HO GM 4 Cylinder 1 GM 3.0 LH

GM 4.3 REPOWER

..... RB001016 GM Base Engine, 4.3L GM V6 Vortex 1 GM V6 LH
 R077006 GM Filter, Engine Oil 1 GM V6 All
 R028019 GM Manifold, Exhaust Volvo Style 1 GM V6 All
 RA107041 GM Distributor, Assembly Complete Breakerless Delco 1 GM V6 All

GM 5.7 REPOWER

..... R028020 GM Manifold, Exhaust Osco 2 GM 5.7 All
 R029014 GM Riser, Osco {Mercruiser Style} 2 GM 5.7 All
 R009165 GM Bolt, Manifold Attaching 3/8" - 16 x 4 1/4" HHCS Grade 8 4 GM 5.7 All
 R009166 GM Bolt, Manifold Attaching 3/8" - 16 x 6" HHCS Grade 8 4 GM 5.7 All
 R045106 GM Hose, Molded Engine Oil Cooler to Sea Water Pump Inlet 1 5.7 All
 R090190 GM Bracket, Ignition Coil And Remote Oil Filter Mounting 1 5.7 All
 R095027 U Stud, Front Mount 3/8" - 16 x 2" 2 5.7 All

ROCHESTER EQUIPPED

..... RA052009 GM Carburetor, Rochester, 4V Quadrajet * See Note 1 GM 5.7 All
 R090185 GM Bracket, Main Electrical Component Mounting * See Note 1 GM 5.7 All
 RA121066 GM Harness, Engine Wiring (Special Repower Engine) * See Note 1 GM 5.7 All
 RM0241 GM Gasket, Manifold To Riser {Osco Mercruiser Style} * See Note 2 GM 5.7 All
 RA085069 GM Line, Fuel From Mechanical Fuel Pump To Rochester Carburetor
 * See Note 1 GM 5.7 All
 R117005 GM Coil, Delco Ignition Flat Base Bracket 3 1/2" Bolt Mount Pattern
 * See Note 1 A/R All
 R117007 GM Coil, Delco Ignition 90° Base Bracket 4 1/4" Bolt Mount Pattern
 * See Note 1 A/R All
 RA107039D GM Distributor Assembly Complete, Breakerless Delco* See Note 1 GM 5.7 All

HOLLEY EQUIPPED

..... RA052003 GM Carburetor, Holley 4V {# See Note} 1 GM 5.7 All
 R090185A GM Bracket, Main Electrical Component Mounting {# See Note} 1 GM 5.7 All
 R121026I GM Harness, Engine Wiring {Special Repower Engine} {# See Note} 1 GM 5.7 All
 RA08570 GM Line, Fuel From Mechanical Fuel Pump To Holley Carb {# See Note} 1 GM 5.7 All
 R117001 GM Coil, Ignition {# See Note} 1 GM 5.7 All
 RA107039R GM Distributor, Complete Assembly {# See Note} 1 GM 5.7 All

* NOTE All items coded with an * are to be used with the Rochester QuadraJet carburetor installation

NOTE All items coded with an # are to be used with the Holley carburetor installation

COMMON PARTS

..... RA104009 GM Connector, Delco Electronic Distributor Blank With 3 Plugs
 1 Terminal And Wire For Stern Drive Interrupter Circuit 1 All GM All
 R104008 GM Connector, Delco Electronic Distributor Blank With 4 Plugs 1 All GM All
 R079061 U Adapter, Block To Engine Cooler Or Remote Oil Filter And Return 1 Ford All
 R079062 U Adapter, Remote Oil Filter 1 All All
 R090194 U Bracket, Cooler Mntng On Oil Pan Rail {Dual Function Oil Cooler} 1 All All
 R171007 U Clamp, Cooler To Bracket {Dual Function Oil Cooler} 1 All All
 R171008 U Clamp, Engine Oil Cooler To Bracket {Single Function} 1 All All
 RS5126 U Screw, Thread Cutting To secure Cooler Clamps To Bracket Plate 2 All All