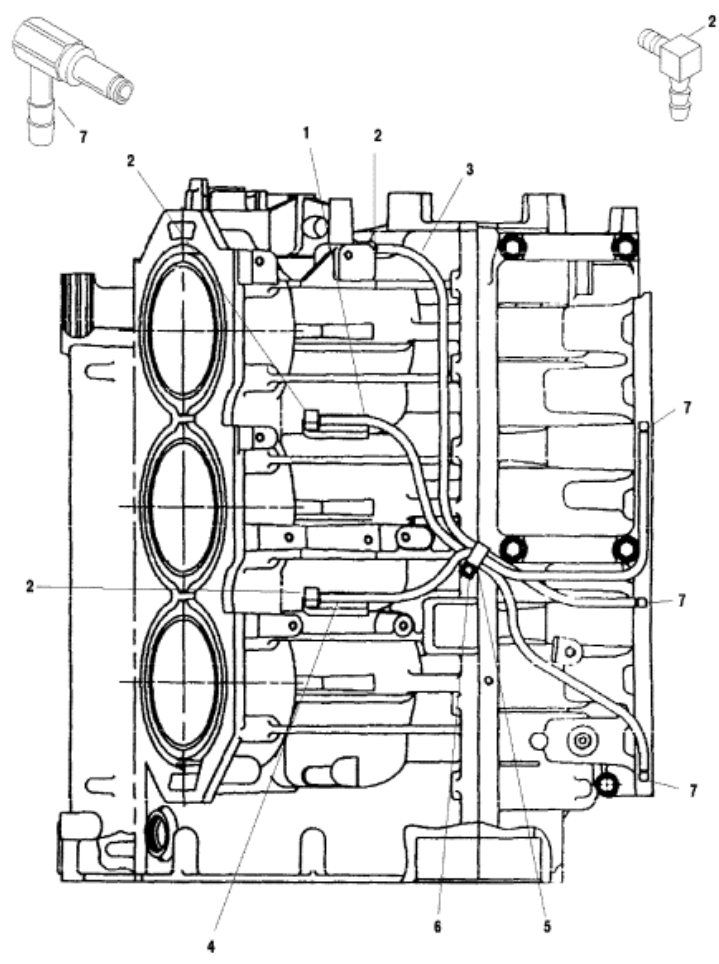


Parts List



Ref	Class	Part	Description	Qty	Comment	Footnote
1	32	856060 64	TUBING (15-1/2 IN.)	1		5
2	21	859235 2	CHECK VALVE (90 DEGREE)	3		5
3	32	856060 64	TUBING (16-1/2 IN.)	1		5
4	32	856060 64	TUBING (15 IN.)	1		5
5	54	23567	CLIP	1		5
6	10	48408	SCREW (10-16 X 1/2)	1		5
7	22	15133 2	ELBOW	3		5
-		854198A00	POWERHEAD	1	(200)	
-		854199A00	POWERHEAD	1	(225) (CYLINDER HEADS HAVE I	
-		877869A00	POWERHEAD	1	(225) (CYLINDER HEADS CASTIN	