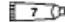
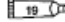
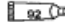
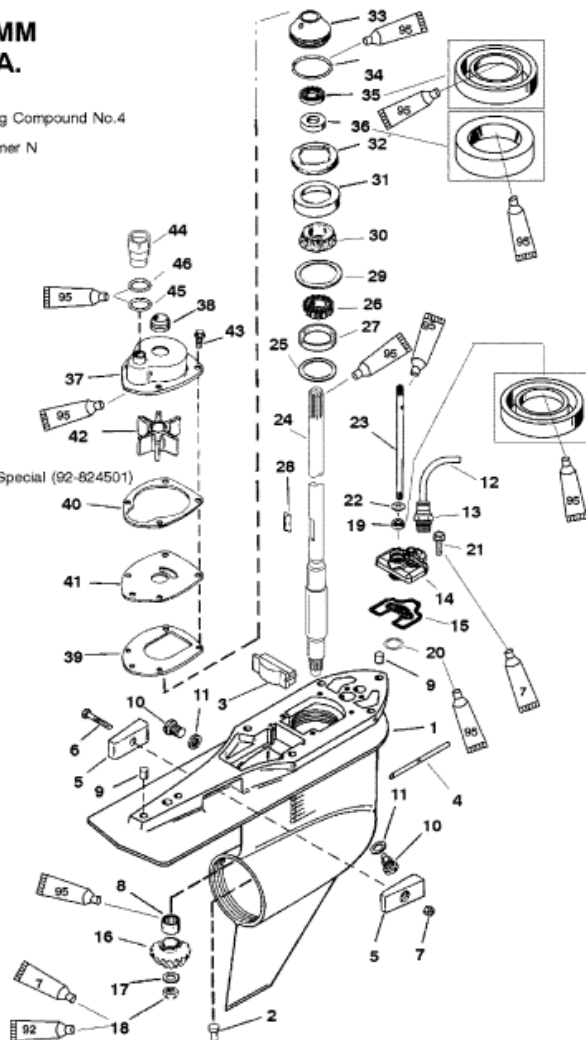


**4.75 IN/120.65MM  
 TORPEDO DIA.**

-  Loctite 271
-  Perfect Seal Sealing Compound No.4
-  Loctite Locquic Primer N

-  Chemtool Duralube Special (92-824501)



**Parts List**

Ref	Class	Part	Description	Qty	Comment	Footnote
1	1623	859399T18	GEAR HOUSING (BASIC)	1		
2	17	37972 1	PIN	1		
3		821526	FILLER BLOCK	1		
4		859402	PITOT TUBE	1		
5		826134	ANODE	2		
6	10	40003 33	SCREW	1		
7	11	826833 6	NUT	1		
8	31	42647A 1	ROLLER BEARING	1		
9	17	43044	DOWEL PIN	2		
10	10	79953A 2	SCREW ASSEMBLY	2		
11	12	19183	SEALING WASHER	2		15
12	32	859449 71	HOSE	1	(LONG - 7 IN)	
12	32	859449 71	HOSE	1	(X-LONG - 12 IN)	
12	32	859449 71	HOSE	1	(XX-LONG - 17 IN)	
13	22	859432	CONNECTOR	1		
14		858934	COVER	1		
15	27	858935	GASKET	1		
16		NSS	PINION GEAR	1	(1.75:1 - 12/21) (PART OF 43-859	
16		NSS	PINION GEAR	1	(1.87:1 - 15/28) (PART OF 43-828	
17	12	92721	WASHER	1		
18	11	35921	NUT	1		
19	26	816464 1	OIL SEAL	1		15
20	25	36318	O RING	1		15
21	10	19937 16	SCREW (M6 X 16)	2		
22	12	77674	RUBBER WASHER	1		
23		824145	SHIFT SHAFT (LOWER)	1		
24	45	858711	DRIVE SHAFT	1	(LONG)	
24	45	858712	DRIVE SHAFT	1	(X-LONG)	
24	45	858713	DRIVE SHAFT	1	(XX-LONG)	
25	15	38657A 1	SHIM SET	AR		
26	31	48939A 2	TAPERED ROLLER BEARING	1		
27		NSS	CUP	1		
28	28	43037	KEY	1		18
29	15	42637A 1	SHIM SET	AR		
30	31	36387A 1	TAPERED ROLLER BEARING	1		
31		NSS	CUP	1		
32		824519	RETAINER	1		
33		807929A 1	CARRIER ASSEMBLY	1		18
34	25	90011	O RING	1		15,18
35	26	66302	OIL SEAL	1		15,18
36	26	66302	OIL SEAL	1		15,18