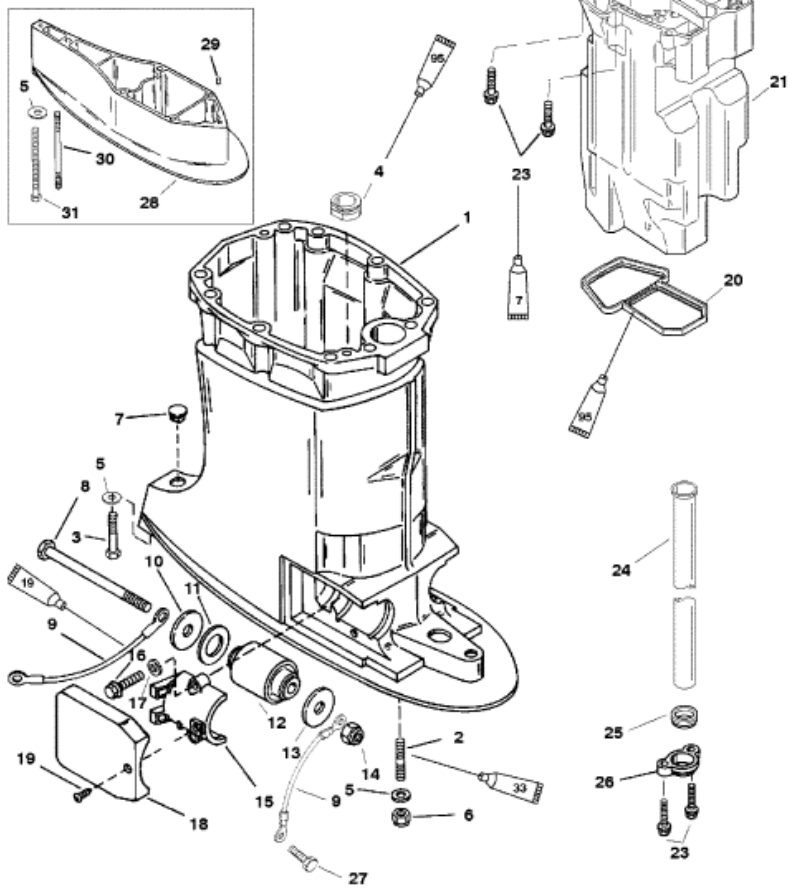


- 7 Loctite "271" Adhesive Sealant (92-809819)
- 19 Perfect Seal (92-34227-1)
- 33 Loctite "RC/680" Retaining Compound (92-809833)
- 95 2-4-C w/Teflon (92-850736A1)



Parts List						
Ref	Class	Part	Description	Qty	Comment	Footnote
1	3518	832937A	DRIVE SHAFT HOUSING	1	(LONG)	
1	3519	832938A	DRIVE SHAFT HOUSING	1	(X/X-LONG)	
2	16	856983	STUD (M12 X 1.75 X 54)	4	(LONG/X-LONG)	
3	10	857136	SCREW (M12 X 35)	1	(LONG/X-LONG)	
4	25	833123	GROMMET	1		
5	12	856982	WASHER	5		
6	11	857008	NUT (M12 X 1.75)	4		
7	19	64649	PLUG	1		
8	10	815431	SCREW (M14 X 2 X 178)	2		
9		88238A10	GROUND WIRE	2		
10	12	815432	WASHER	2		
11	12	815433	WASHER	2		
12		813771	MOUNT	2		
13	12	825190	WASHER	2		
14	11	815434	NUT	2		
15		818644	CLAMP	2		
16	10	818934	SCREW (M8 X 35)	4		
17	13	72521	LOCKWASHER	1		
18		818645F	COVER	2		
19	10	69079	SCREW (10-16 X 7/16 IN.)	2		
20		832932	SEAL	1		
21		833116A	EXHAUST TUBE	1		
22		NSS	STRAINER	1		
23	10	818934	SCREW (M8 X 35)	6		
24	32	832941	WATER TUBE	1	(LONG)	
24	32	832941	WATER TUBE	1	(X-LONG)	
24	32	832941	WATER TUBE	1	(XX-LONG)	
25		832940	SEAL	1		
26		832939	CLAMP	1		
27	10	41508	SCREW (1/4-20 X .375)	1		
28		823979T	SPACER	1	(XX-LONG)	
29	17	43044	DOWEL PIN	2	(XX-LONG)	
30	16	857009	STUD (M12 X 179)	4	(XX-LONG)	
31	10	857137	SCREW (M12 X 160)	1	(XX-LONG)	