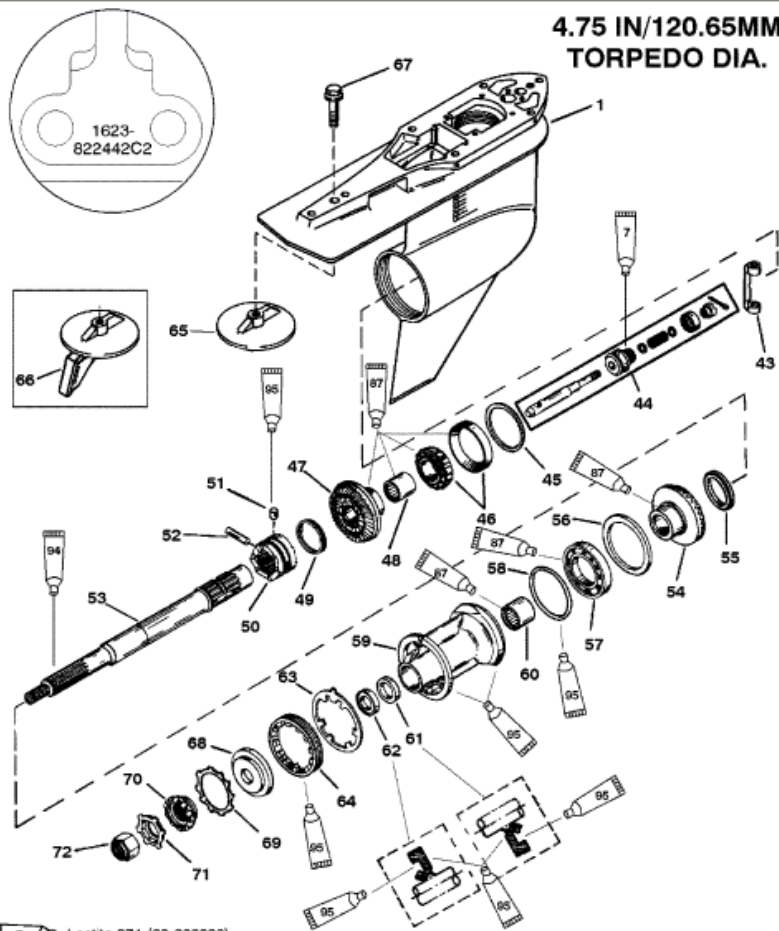


4.75 IN/120.65MM
 TORPEDO DIA.



- Loctite 271 (92-809820)
- Super Duty Gear Lubricant (92-13783A24)
- Anti-Corrosion Grease (92-78376A6)
- 2-4-C With Teflon (92-825407A12)

Parts List

Ref	Class	Part	Description	Qty	Comment	Footnote
1	1623	822442A25	GEAR HOUSING	1	(BASIC-BLACK)	
1	1623	822442A26	GEAR HOUSING	1	(BASIC-GRAY) WHEN EXISTING	
43		823903	SHIFT CRANK	1		
44		818349A 1	SHIFT SPOOL KIT	1		
45	15	47397A 1	SHIM	AR		5
46	31	35928A 1	TAPERED ROLLER BEARING	1	(USE WITH 1623-822442C2 CAS	
46	31	828439A 2	TAPERED ROLLER BEARING	1	(USE WITH 1623-822442C3 CAS	
47	43	826181A 2	FORWARD GEAR SET (INCLUDE	1	(1.75:1 - 12/21)	
47	43	828072A 2	FORWARD GEAR	1	(NOTE: THIS COMPLETE GEAR	
48	31	30895	ROLLER BEARING	1		
49	24	30893	SPRING	1		
50	52	824112	SLIDING CLUTCH	1		
51	17	78909	DETENT PIN	1		
52	17	30632	CROSS PIN	1		
53	44	824110	PROPELLER SHAFT	1		
54	43	826182A 1	REVERSE GEAR	1	(1.75:1 GEAR RATIO - 12/21)	
54	43	824109A 1	REVERSE GEAR	1	(1.64:1 GEAR RATIO - 17/28)	
54		NSS	REVERSE GEAR	1	(1.62:1 - 13/21)(PART OF 43-828	14
55	23	824108	THRUST SPACER	1		
56		68100 1	THRUST RING	1		
57	30	88957	BALL BEARING	1		
58	25	31534	O RING	1		9
59		818763A11	BEARING CARRIER	1		
60	31	30956	ROLLER BEARING	1		
61	26	14077	OIL SEAL (INSIDE)	1		9
62	26	76868	OIL SEAL (OUTSIDE)	1		9
63	14	18323	TAB WASHER	1		
64		79448	COVER	1		
65		76214A 5	ANODIC PLATE	1	COMPLETE GEAR THESE REPL	
66		822777 3	TRIM TAB	1	(BLACK ALUMINUM) COMPLETE	
66		822777A 1	TRIM TAB	1	(ANODIC) COMPLETE GEAR THI	
67	10	806327	SCREW	1	COMPLETE GEAR THESE REPL	
68	12	835467	THRUST HUB	1	COMPLETE GEAR THESE REPL	
69	13	42351 1	LOCKWASHER	1	COMPLETE GEAR THESE REPL	
70	12	31211A 2	WASHER	1	COMPLETE GEAR THESE REPL	
71	14	816629	TAB WASHER	1	COMPLETE GEAR THESE REPL	
72	11	52707A 1	PROPELLER NUT	1	COMPLETE GEAR THESE REPL	
-	26	816575A 5	G/H SEAL KIT	1		