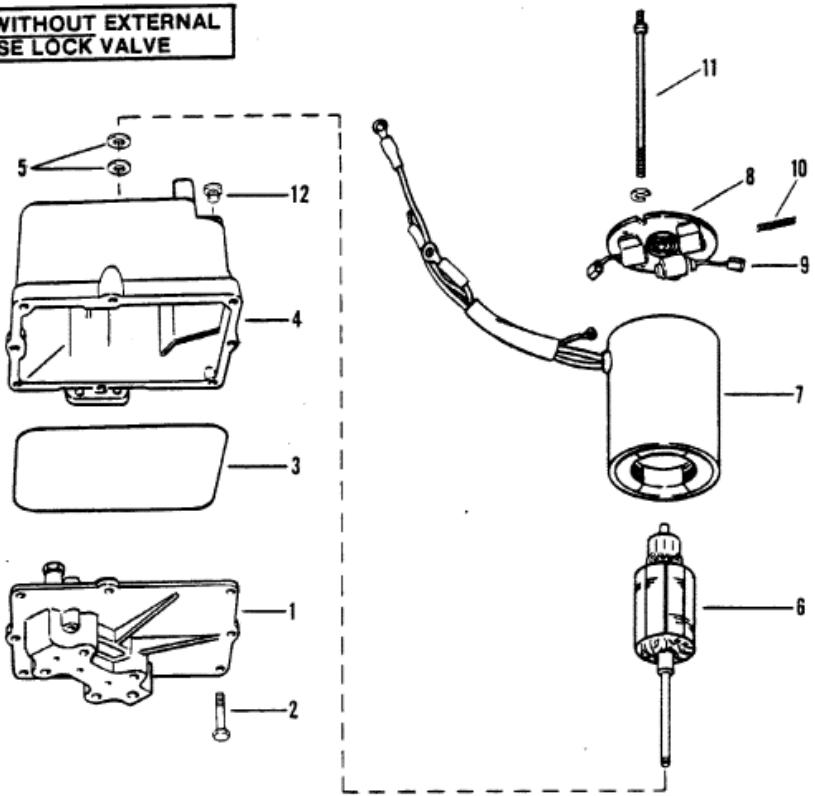


**USED WITHOUT EXTERNAL
 REVERSE LOCK VALVE**



| Parts List | | | | | | |
|------------|-------|----------|---------------------------|-----|---------|----------|
| Ref | Class | Part | Description | Qty | Comment | Footnote |
| - | | 96477A 3 | HYDRAULIC PUMP ASSEMBLY | 1 | | |
| 1 | 392 | 9252 | VALVE BODY AND GEAR ASSE | 1 | | |
| 2 | 10 | 69570 | SCREW, VALVE BODY TO RESI | 8 | | |
| 3 | 392 | 7735 | SEAL, RESERVOIR TO VALVE | 1 | | |
| 4 | 392 | 7731 | RESERVOIR ASSEMBLY (PLAS | 1 | | |
| 5 | 392 | 7732 | WASHER, THRUST - ARMATUF | 1 | | |
| 6 | 392 | 9248 | ARMATURE, FIELD AND FRAMI | 1 | | |
| 7 | 392 | 9249 | FIELD AND FRAME ASSEMBLY | 1 | | |
| 8 | 392 | 9250 | PLATE ASSEMBLY, COMMUTA | 1 | | |
| 9 | 392 | 8989 | BRUSH SET, COMMUTATOR | 1 | | |
| 10 | 392 | 8993 | SPRING SET, BRUSH TENSION | 1 | | |
| 11 | 392 | 9251 | BOLT SET, THRU | 1 | | |
| 12 | 392 | 7727 | COUPLER AND SHAFT | 1 | | |
| 13 | 392 | 7728 | FILL PLUG, RESERVOIR | 1 | | |