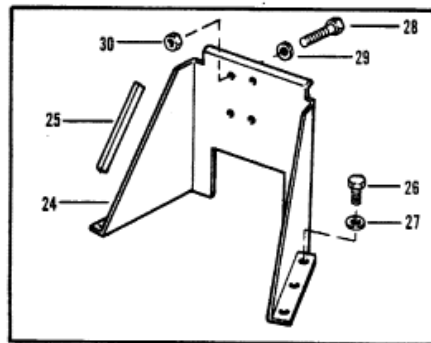
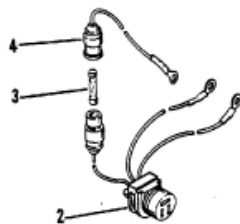


**USED WITHOUT
 EXTERNAL REVERSE
 LOCK VALVE**



Parts List					Qty	Comment	Footnote
Ref	Class	Part	Description				
1		96477A 3	HYDRAULIC PUMP ASSEMBLY (F	1			
2	84	79147A 3	CONNECTOR AND HARNESS	1			
3	88	79091	FUSE (20 AMP.)	1			
4	84	95084A 2	WIRE, FUSE	1			
5		94279	BRACKET, MOUNTING - STARTE	1			
6	10	42710	SCREW, MOUNTING BRACKET T	2			
7	13	26992	LOCKWASHER, MOUNTING BRA	2			
8	23	96784	SPACER, MOUNTING BRACKET	1			
9	11	24656	NUT, MOUNTING BRACKET TO F	1			
10	89	96158	TRIM MOTOR SOLENOID	2			
11	13	26995	LOCKWASHER, SOLENOID TERK	4			
12	11	26419	NUT, SOLENOID TERMINAL (8-3	4			
13	13	26992	LOCKWASHER, SOLENOID TERK	4			
14	11	94330	NUT, SOLENOID TERMINAL (1/4	4			
15	85	96535	BOOT, STARTER SOLENOID TEF	1			
16	10	41508	SCREW, STARTER SOLENOID TI	4			
17		94275	LINK, SOLENOID TO SOLENOID	1			
18	84	79139A12	BATTERY LEAD (POSITIVE)	1			
18	84	79138A 1	BATTERY LEAD (NEGATIVE)	1			
19	84	86322A15	WIRE, STARTER SOLENOID (BL/	2			
20	88	79023A10	FUSE ASSEMBLY (110 AMP.)	1			
21	12	96457	WASHER, FUSE TERMINAL	1			
22	13	26992	LOCKWASHER, FUSE TERMINAL	1			
23	11	21825	NUT, FUSE TERMINAL (1/4-28)	1			
24		88893A 4	BRACKET ASSY, MTG. - HYD. PL	1			
25		58491	BUMPER, RUBBER - PUMP MO	2			
26	10	59784	SCREW, PUMP MOUNTING BR.	6			
27	12	29245	WASHER, PUMP MOUNTING B	6			
28	10	35386	SCREW, HYDRAULIC PUMP TC	4			
29	13	39107	LOCKWASHER, HYDRAULIC PL	4			
30	11	21908	NUT, HYDRAULIC PUMP SCRE	4			