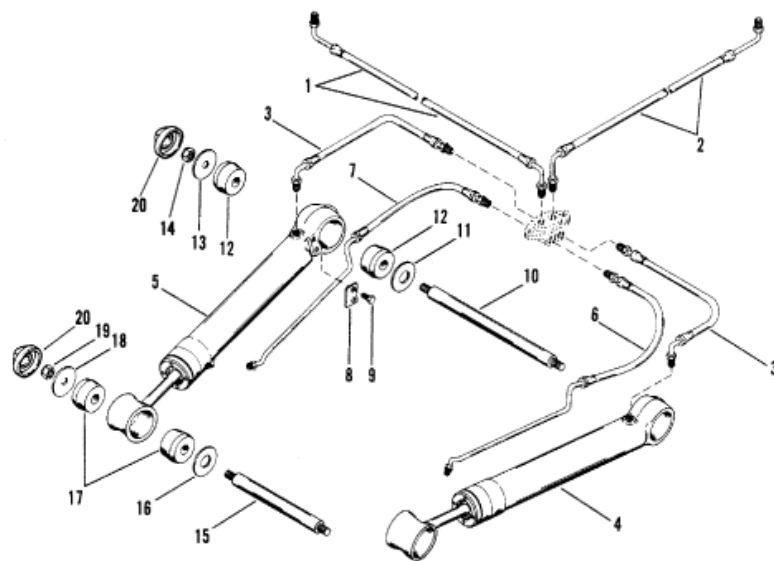


NOTE

15768A1 TRIM CYLINDER LIMIT KIT



| Parts List |       |        |                               |     |                      |          |
|------------|-------|--------|-------------------------------|-----|----------------------|----------|
| Ref        | Class | Part   | Description                   | Qty | Comment              | Footnote |
| 1          | 32    | 861127 | HOSE, HYDRAULIC - CONNECTO    | 1   |                      |          |
| 2          | 32    | 861128 | HOSE, HYDRAULIC - CONNECTO    | 1   |                      |          |
| 3          | 32    | 99904  | HOSE, HYDRAULIC - TRIM CYLIN  | 2   |                      |          |
| 4          |       | 98704A | TRIM CYLINDER (STARBOARD)     | 1   | SEE DRIVE UNIT CHART | REF.#    |
| 4          |       | 14034A | TRIM CYLINDER (STARBOARD) (   | 1   | SEE DRIVE UNIT CHART | REF.#    |
| 5          |       | 98703A | TRIM CYLINDER (PORT)          | 1   | SEE DRIVE UNIT CHART | REF.#    |
| 5          |       | 14035A | TRIM CYLINDER (PORT) (BLACK)  | 1   | SEE DRIVE UNIT CHART | REF.#    |
| --         |       | 87399A | OVERHAUL KIT, TRIM CYLINDE    | 2   |                      |          |
| --         | 25    | 87400A | SEAL KIT, TRIM CYLINDER       | 2   |                      |          |
| 6          | 32    | 99902  | HOSE, TRIM CYLINDER (STARBC   | 1   | SEE DRIVE UNIT CHART | REF.#    |
| 6          | 32    | 99902  | HOSE, TRIM CYLINDER (STARBC   | 1   | SEE DRIVE UNIT CHART | REF.#    |
| 7          | 32    | 99903  | HOSE, TRIM CYLINDER (PORT)    | 1   | SEE DRIVE UNIT CHART | REF.#    |
| 7          | 32    | 99903  | HOSE, TRIM CYLINDER (PORT)    | 1   | SEE DRIVE UNIT CHART | REF.#    |
| 8          |       | 85060  | PLATE, CLAMPING - TRIM CYLINI | 2   |                      |          |
| 9          | 10    | 85486  | SCREW, CLAMPING PLATE         | 4   |                      |          |
| 10         | 17    | 14873A | PIN, FRONT ANCHOR             | 1   |                      |          |
| 11         | 12    | 85058  | WASHER, FRONT PIN             | 2   |                      |          |
| 12         | 23    | 99291T | BUSHING, RUBBER               | 4   |                      |          |
| 13         | 12    | 85057  | WASHER, FRONT PIN 3/8-24 TH   | 2   |                      |          |
| 13         | 12    | 44163  | WASHER, FRONT PIN 7/16-20     | 2   |                      |          |
| 14         | 11    | 862903 | NUT, FRONT PIN 3/8-24 THREA   | 2   |                      |          |
| 14         | 11    | 859116 | NUT, FRONT PIN 7/16-20 THR    | 2   |                      |          |
| 15         | 17    | 99207  | PIN, REAR ANCHOR 3/8-24 THR   | 1   |                      |          |
| 15         | 17    | 14872A | PIN ASSEMBLY, REAR ANCHOR     | 1   |                      |          |
| 16         | 12    | 85058  | WASHER, REAR PIN 3/8-24 THF   | 2   |                      |          |
| 16         | 12    | 85058  | WASHER, REAR PIN 7/16-20 T    | 2   |                      |          |
| 17         | 23    | 99291T | BUSHING, RUBBER               | 4   |                      |          |
| 18         | 12    | 85057  | WASHER, REAR PIN 3/8-24 THF   | 2   |                      |          |
| 18         | 12    | 44163  | WASHER, REAR PIN 7/16-20 T    | 2   |                      |          |
| 19         | 11    | 862903 | NUT, REAR PIN 3/8-24 THREAD   | 2   |                      |          |
| 19         | 11    | 859116 | NUT, REAR PIN 7/16-20 THRE    | 2   |                      |          |
| 20         | 19    | 14842  | CAP, FRONT PIN 7/16-20 THRE   | 2   |                      |          |
| 20         | 19    | 14842  | CAP, REAR PIN 7/16-20 THREA   | 2   |                      |          |