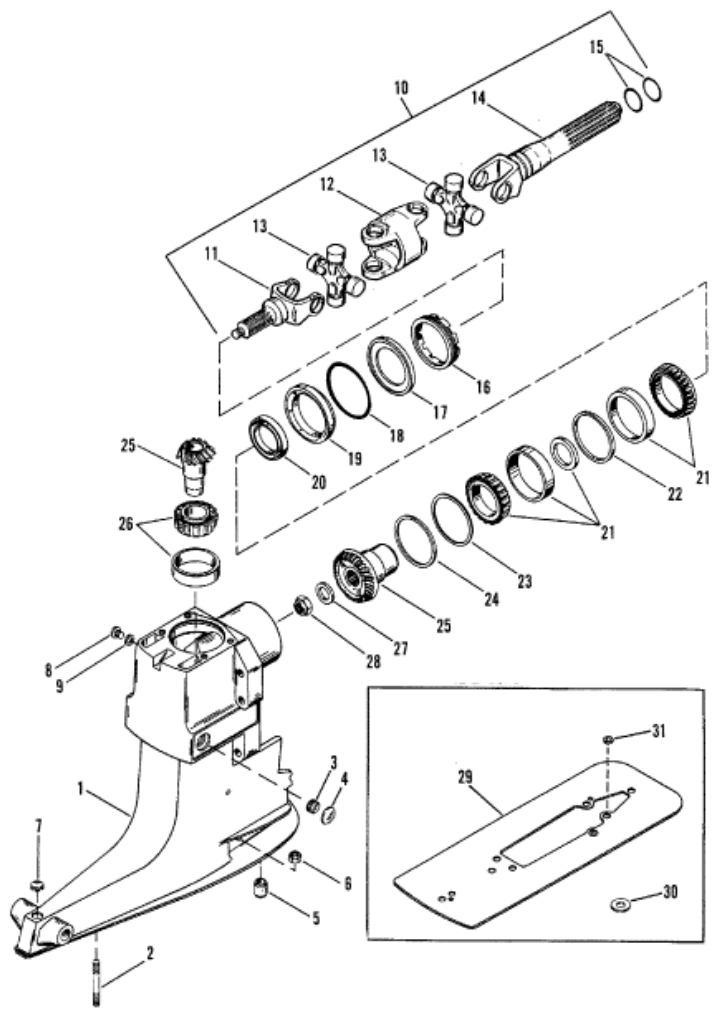


Parts List



Ref	Class	Part	Description	Qty	Comment	Footnote
1	1547	9412A18	DRIVE SHAFT HOUSING ASSEM	1		
2	16	56295	STUD (2-11/16")	2		
3	22	42861	PIPE PLUG	1		
4	19	32652	WELCH PLUG (7/8" O.D.)	1		
4	19	42682	WELCH PLUG (1-1/4" O.D.)	1		
5	23	32632	BUSHING	1		
6	11	859116	NUT	3		
7	19	47579	PLUG (1/2" DIA. HOLE) (BLACK)	1		
7	19	47591	PLUG (1/2" DIA. HOLE) (OYSTER)	1		
8	10	79953Q	SCREW	1		
9	12	19183	WASHER	1	(Component of Gear Repair Kits N	3,14,19
10		814819A	UNIVERSAL JOINT	1		
11		46020	YOKE, GEAR END	1		
12		39383	SOCKET	1		
13		75832T	CROSS/BEARING (S/N: B-4188'	2		
13		75832T	CROSS/BEARING (S/N: B-4188'	2		
14		59830A	YOKE ASSEMBLY, COUPLING E	1		
15	25	25439	O-RING	2	(Component of Gear Repair Kits N	3,11,12
16		816811	RETAINER	1		
17		35983	RING	1		
18	25	70937	O-RING	1	(Component of Gear Repair Kits N	14
19		66081A	CARRIER ASSEMBLY	1		
20	26	823894	OIL SEAL	1		
21	31	35988A12	ROLLER BEARING KIT	1	(Component of Gear Repair Kits N	14
21	31	35985	SPACER	1	(Component of Gear Repair Kits N	14
21	31	35988A	ROLLER BEARING KIT (1.32 RAT	1	(Component of Gear Repair Kit No	14
22	23	66824	SPACER (1.32 RATIO ONLY)	1	(Component of Gear Repair Kit No	14
21	31	35988A	ROLLER BEARING KIT	1	(1.50 HEAVY DUTY RATIO ONL	
22	23	66824	SPACER	1	(1.50 HEAVY DUTY RATIO ONL	
23	15	35980A	SHIM	AR	(Component of Gear Repair Kits N	14
24	15	71013	SHIM	1		
25	43	55778A	GEAR KIT (1.98 RATIO) (20-24 GE	AR	(Component of Gear Repair Kit Nc	14
25	43	45814A5	GEAR KIT (1.65 RATIO) (24-24 GE	AR	(Component of Gear Repair Kit No	14
25	43	75325A	GEAR KIT (1.84 RATIO) (17-19 GE	AR	(Component of Gear Repair Kit No	14
25	43	18411A	GEAR KIT (1.50 RATIO) (20-22 GE	AR	(Component of Gear Repair Kit No	14
25	43	66773A	GEAR KIT (1.32 RATIO) (16-20 GE	AR	(Component of Gear Repair Kit No	14
25	43	18411A	GEAR KIT COMP. W/BEARINGS (	AR	(1.50 RATIO) (20-22 RATIO) (REF	
26	31	35990A	BEARING (TIMKEN CONE #8944E	AR	USED W/(1.98, 1.65, 1.84 RATIO	14
26	31	66818A	BEARING (TIMKEN CONE #43131	AR	USED WITH 1.32 RATIO(Compor	14
26	31	32573A	BEARING (TIMKEN CONE #2478C	AR	USED WITH 1.50 RATIO AND 1.	14
27	12	46910	WASHER	1	(Component of Gear Repair Kits N	14