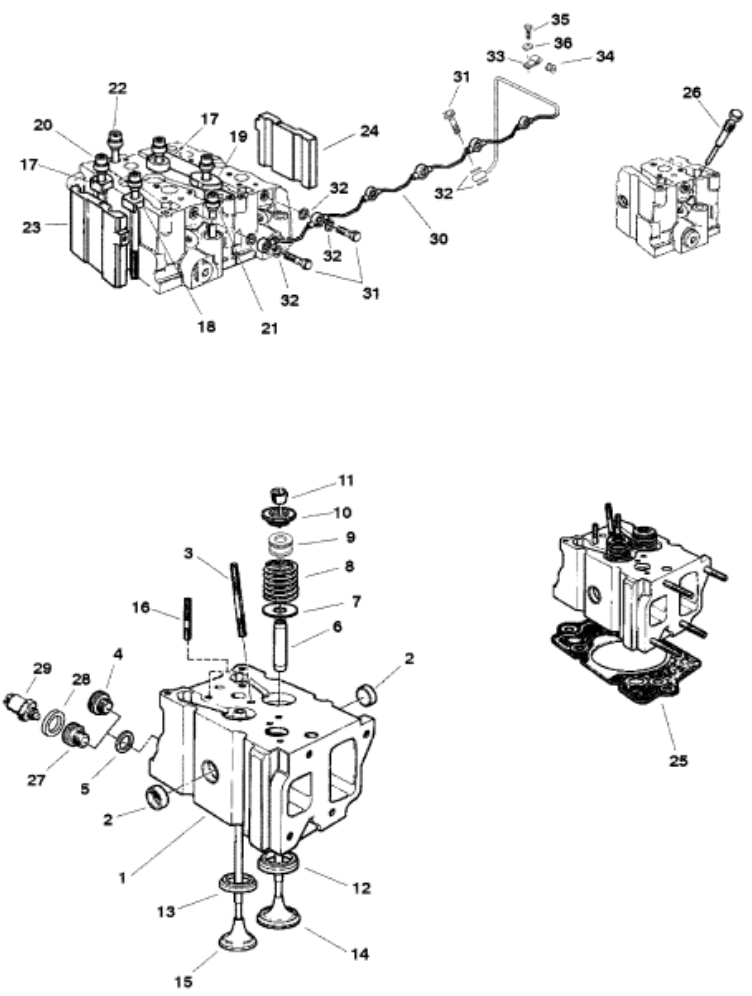


Parts List



Ref	Class	Part	Description	Qty	Comment	Footnote
1		889509	HEAD ASSEMBLY-CYLINDER	6		1
2	19	889855	PLUG-EXPANSION	12		1
3	16	854069	STUD (M8 X 60)	6		
4	10	801763377	PLUG	4		
5	25	809963342	O-RING	6		5
6		854070	GUIDE-VALVE	12		
7		801331752	PLATE-SPRING	12		
8	24	811388	SPRING-VALVE	12		
9	26	854068	SEAL-OIL	12		
10		801331754	CAP-SPRING	12		
11		801331755	KEEPERS-VALVE	24		
12		854071	SEAT-VALVE (INTAKE)	6		
13		854072	SEAT-VALVE (EXHAUST)	6		
14		854073	VALVE-INTAKE	6		
15		854074	VALVE-EXHAUST	6		
16	16	854075	STUD (M8 X 35)	12		
17		801331671	BRIDGE-MANIFOLD SIDE	7		
18		801331673	BRIDGE-END	2		
19		801331674	BRIDGE-INTERMEDIATE	5		
20	10	806685	BOLT-CENTER (M14 X 149.5)	14		
21	10	806686	BOLT-INJECTOR SIDE (M12 X 94)	6		
22	10	806687	BOLT-MANIFOLD SIDE (M12 X 12)	6		
23	23	881746	SPACER-FRONT	1		
24	23	881746	SPACER-REAR	1		
25	27	877376	GASKET-CYLINDER HEAD	1	(1.42mm)(Front Gasket)	
25	27	879678	GASKET-CYLINDER HEAD	OPT	(1.52mm)(Front Gasket)	
25	27	879679	GASKET-CYLINDER HEAD	OPT	(1.62mm)(Front Gasket)	
25	27	877377	GASKET-CYLINDER HEAD	1	(1.42mm)(Rear Gasket)	
25	27	879680	GASKET-CYLINDER HEAD	OPT	(1.52mm)(Rear Gasket)	
25	27	879681	GASKET-CYLINDER HEAD	OPT	(1.62mm)(Rear Gasket)	
26	19	854080	PLUG-Glow	6		
26	33	802737	GLOW PLUG KIT	OPT		
27	22	880819	ADAPTOR	1	(SINGLE STATION TEMP SENDER)	
27	22	52382	ADAPTOR	1	(DUAL STATION TEMP SENDER)	
27	22	884000	ADAPTOR	1	(ECT SENSOR)	
28	25	809963129	WASHER	1	(WATER TEMPERATURE SENDER)	5
28	25	809963129	ORING	1	(ECT SENSOR)	
29		880820	SENDER-WATER TEMPERATURE	1	(SINGLE STATION)(WATER TEMPERATURE)	
29		49734	SENDER-WATER TEMPERATURE	1	(DUAL STATION)(WATER TEMPERATURE)	
29	87	854081	SENSOR-ENGINE COOLANT TEMPERATURE	1	(ECT SENSOR)	
30	22	889855	OIL LINE	1		1