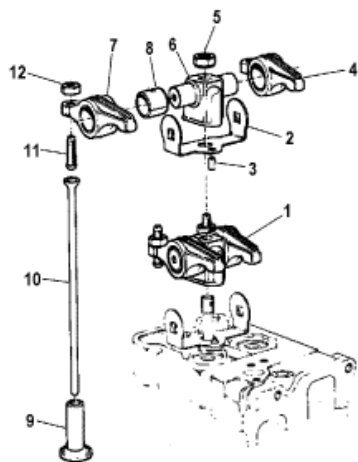
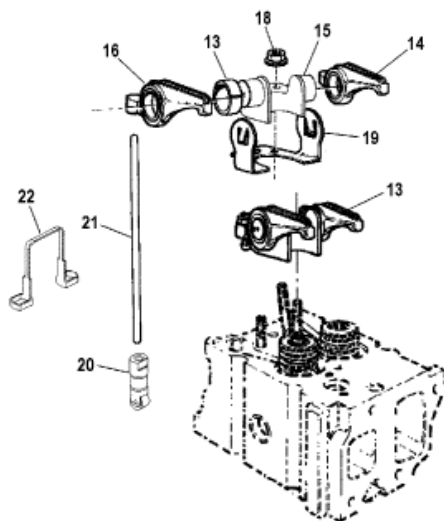


0D554732 - 0L099755



0L099756 And Up



Parts List						
Ref	Class	Part	Description	Qty	Comment	Footnote
1		801331739	BRACKET	6	(0D554732 - 0L099755)	
2		801333863	STRAP	6	(0D554732 - 0L099755)	
3	17	801331748	CENTERING PIN	6	(0D554732 - 0L099755)	
4		801331742	ROCKER ARM	6	(INTAKE)(0D554732 - 0L099755)	
5	11	801331749	NUT	6	(0D554732 - 0L099755)	
6		801331740	SUPPORT	6	(0D554732 - 0L099755)	
7		801331741	ROCKER ARM	6	(EXHAUST)(0D554732 - 0L099755)	
8	23	801331745	BUSHING	12	(0D554732 - 0L099755)	
9		801331737	TAPPET	12	(0D554732 - 0L099755)	
10		879703	TAPPET ROD	12	(0D554732 - 0L099755)	
11	10	801331746	ADJUSTING SCREW	12	(0D554732 - 0L099755)	
12	11	811395	JAM NUT	12	(0D554732 - 0L099755)	
13		881793	ROCKER ARM ASSEMBLY	6	(0L099756 And Up)	
14		881794	ROCKER ARM-INTAKE	6	(0L099756 And Up)	
15		801331740	SUPPORT-ROCKER ARM	6	(0L099756 And Up)	
16		881795	ROCKER ARM-EXHAUST	6	(0L099756 And Up)	
17	23	881796	BUSHING	12	(0L099756 And Up)	
18	11	854037	NUT (M8)	12	(0L099756 And Up)	
19		881797	BRACKET-ROCKER ARM	6	(0L099756 And Up)	
20		854063	LIFTER-ROLLER	12	(0L099756 And Up)	
21		854064	PUSH ROD	12	(0L099756 And Up)	
22		854066	BRACKET-LIFTER RETAINER	6	(0L099756 And Up)	
23	32	806765	OIL LINE	1	(0D554732 - 0L099755)	
23	32	881790	OIL LINE	1	(0L099756 And Up)	
24	10	811394	BANJO BOLT	7	(0D554732 - 0L099755)	
24	10	801333874	BANJO BOLT	1	(0L099756 And Up)	
25	12	809963042	O RING	14		2,3
26	54	801333424	CLIP	1		
27	10	809913218	SCREW	1		
28	12	809931036	WASHER	1		
-	27	879719	GASKET SET-ENGINE OVERHAU	1	(0D554732 - 0L099755)	
-	27	883974	GASKET SET-ENGINE OVERHAU	1	(0L099756 And Up)	1