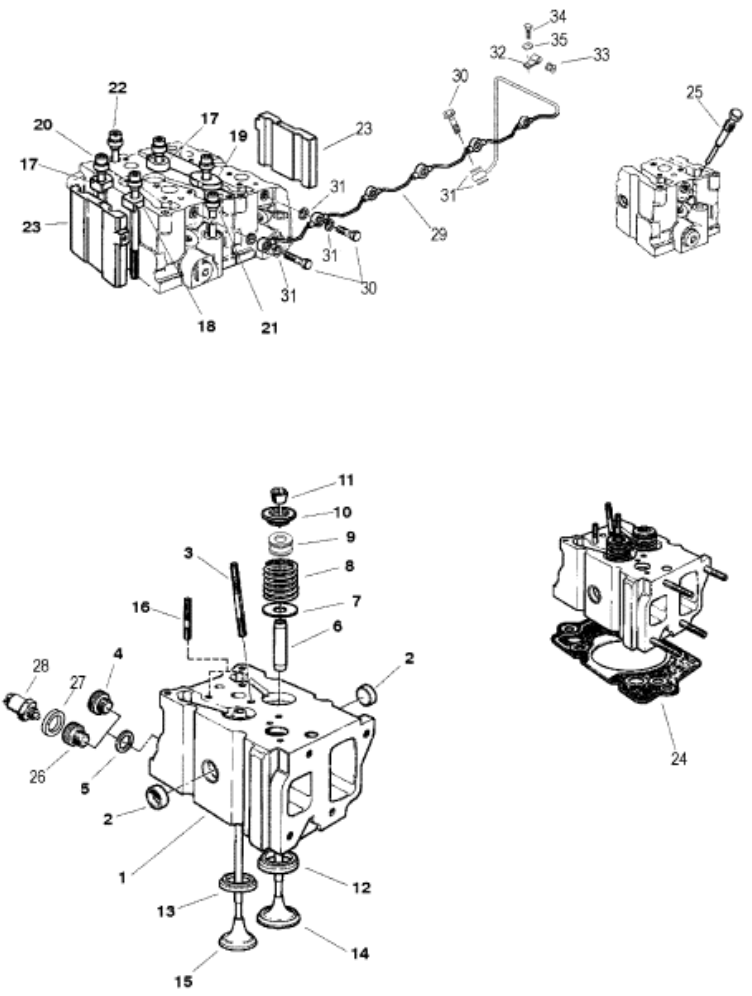


Parts List



Ref	Class	Part	Description	Qty	Comment	Footnote
1		879715	HEAD ASSEMBLY-CYLINDER	6		
2	19	811389	PLUG-EXPANSION	12		
3	16	854069	STUD (M8 X 60)	6		
4	10	801763377	PLUG	4		
5	25	809963342	O-RING	6		3
6		854070	GUIDE-VALVE	12		
7		801331752	PLATE-SPRING	12		
8	24	811388	SPRING-VALVE	12		
9	26	854068	SEAL-OIL	12		
10		801331754	CAP-SPRING	12		
11		801331755	KEEPERS-VALVE	24		
12		854071	SEAT-VALVE (INTAKE)	6		
13		854072	SEAT-VALVE (EXHAUST)	6		
14		854073	VALVE-INTAKE	6		
15		854074	VALVE-EXHAUST	6		
16	16	854075	STUD (M8 X 35)	12		
17		801331671	BRIDGE-MANIFOLD SIDE	7		
18		801331673	BRIDGE-END	2		
19		801331674	BRIDGE-INTERMEDIATE	5		
20	10	806685	BOLT-CENTER (M14 X 149.5)	14		
21	10	806686	BOLT-INJECTOR SIDE (M12 X 94)	6		
22	10	806687	BOLT-MANIFOLD SIDE (M12 X 12)	6		
23	23	881746	SPACER	2		
24	27	877376	GASKET-FRONT	1	(1.42 MM)	
24	27	879678	GASKET-FRONT	A/R	(1.52 MM)	3,4,6
24	27	879679	GASKET-FRONT	A/R	(1.62 MM)	6
24	27	877377	GASKET-REAR	1	(1.42 MM)	
24	27	879680	GASKET-REAR	A/R	(1.52 MM)	
24	27	879681	GASKET-REAR	A/R	(1.62 MM)	
25	19	854080	PLUG	6		
25	33	802737	GLOW PLUG KIT	OPT		6
26	22	880819	ADAPTOR	1	(ENGINE WATER TEMPERATUR	
26	22	52382	ADAPTOR	1	(DUAL STATION TEMPERATUR)	
26	22	880819	ADAPTOR-ENGINE TEMPERATU	1		1
27	25	809963129	WASHER	1	WATER TEMPERATURE SENDE	3
28	87	880820	SENDER-WATER TEMPERATUR	1	(SINGLE STATION)	
28		49734	SENDER-WATER TEMPERATUR	1	(DUAL STATION) WATER TEMP	
28		881748	SENDER--TEMPERATURE_KSB	1		1
29	32	854065	OIL LINE	1		
30	10	811394	BOLT-BANJO	7		
31	25	809963042	O-RING	14		2