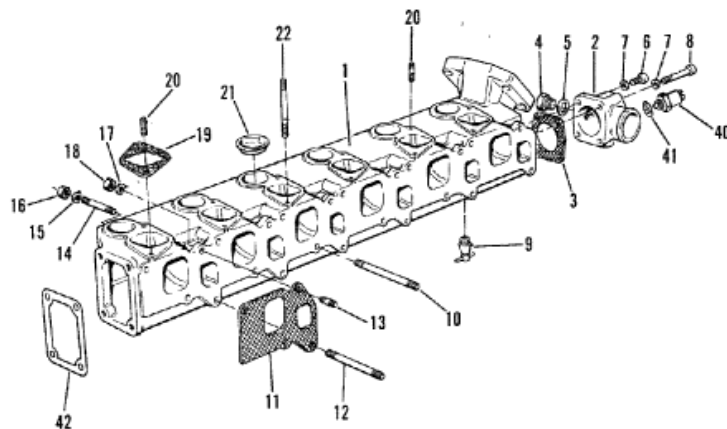
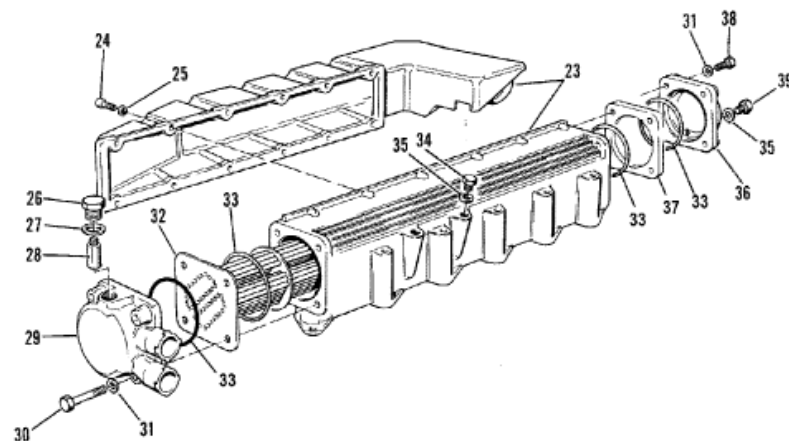


Parts List



14187

Ref	Class	Part	Description	Qty	Comment	Footnote
1		801763700	EXHAUST MANIFOLD	1	(5 Cycle)	
1		801763438	EXHAUST MANIFOLD	1	(6 Cycle)	
2		801763630	COVER	1		
3	27	801763472	GASKET	1		1,2
4	10	801763445	SCREW	1		
5	12	809963354	WASHER	1		
6	10	809919926	SCREW, (M6 x 25)	2		
7	13	809932071	LOCKWASHER	4		
8	10	809919961	SCREW	2		
9	22	801331684	FITTING, Drain	1		
11	27	801333449	GASKET	AR	(Quantities (5 CYL) - 5; (6 CYL) - 6)	1,2
14	16	801333451	STUD, (M8 x 90)	2		
15	13	811460	LOCKWASHER	AR	(Quantities (5 CYL) - 12; (6 CYL) - 2)	
16	11	809922800	NUT	AR	(Quantities (5 CYL) - 12; (6 CYL) - 2)	
17	13	809932093	LOCKWASHER	AR	(Quantities (5 CYL) - 18; (6 CYL) - 2)	
18	11	809922113	NUT	AR	(Quantities (5 CYL) - 18; (6 CYL) - 2)	
19	27	801333472	GASKET	AR	(Quantities (5 CYL) - 5; (6 CYL) - 6)	1,2
20	16	801763443	STUD	AR	(Quantities (5 CYL) - 6; (6 CYL) - 7)	
21		801763439	WELCH PLUG	9		
23		801763702	AIR COOLER	1	(5 Cycle)	
23		801763457	AIR COOLER	1	(6 Cycle)	
24	10	809919967	SCREW	AR	(Quantities (5 CYL) - 10; (6 CYL) - 1)	
25	13	809932071	LOCKWASHER	AR	(Quantities (5 CYL) - 10; (6 CYL) - 1)	
26	10	811487	ANODE/PLUG ASSEMBLY	1		
27	25	809963308	WASHER, Sealing	1		
28		816000	ANODE	1		
29		801761360	COVER, Front	1		
30	10	809912516	SCREW, (M8 x 50)	2		
31	13	811460	LOCKWASHER	6		
32		801763705	RADIATOR INSERT	1	(5 Cycle)	
32		801761367	RADIATOR INSERT	1	(6 Cycle)	
33	25	801763461	O-RING	4		1,2
34	10	809919217	SCREW	1		
35	12	809963072	WASHER	2		
36		801763463	COVER, Rear	1		
37	12	801763488	WASHER	1		
38	10	809913662	SCREW	6		
39	10	801763459	SCREW	1		
40	87	814079	WATER TEMPERATURE SENDER	1		
41	12	809963201	WASHER	1		1,2
42	27	801761082	GASKET	1		1,2