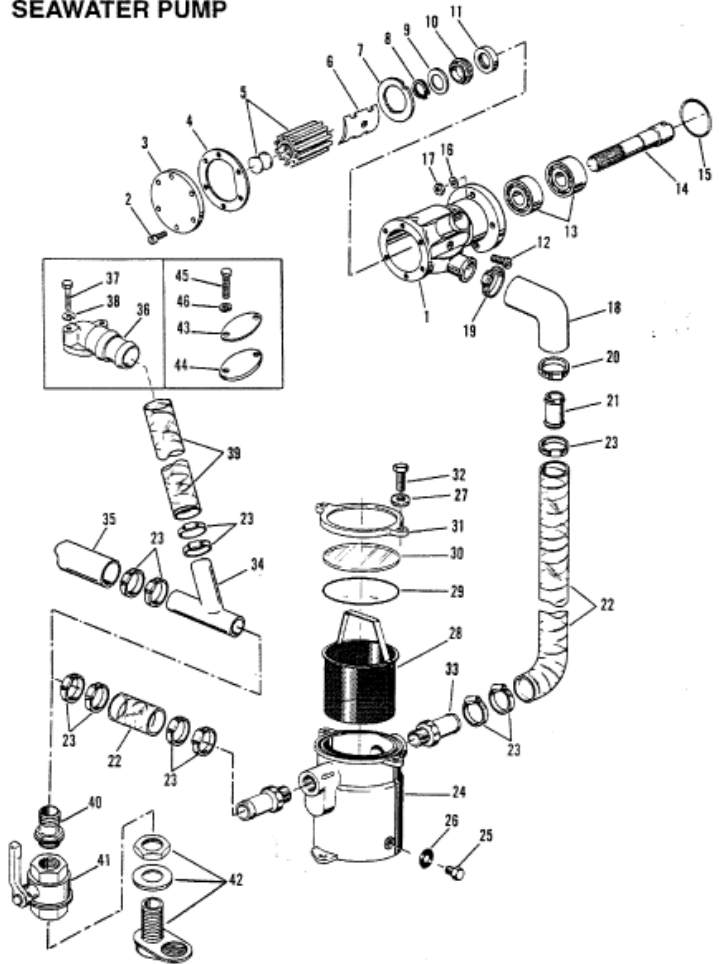


SEAWATER PUMP



D-254 DIESEL ENGINE

Parts List

Ref	Class	Part	Description	Qty	Comment	Footnote
1	46	816248	SEAWATER PUMP ASSEMBLY	1		
2	10	801332608	SCREW	6		
3		801332607	COVER	1		
4	27	801332606	GASKET	1		
5	47	816814	IMPELLER	1		
6		816813	CAM	1		
7	12	801332601	WEAR PLATE	1		
8	53	816815	RETAINING RING	1		
9	23	816816	SPACER	1		
10		816817	MECHANICAL SEAL	1		
11	26	816818	OIL SEAL	1		
12	10	801332604	SCREW	1		
13	30	816819	BALL BEARING	2		
14		816820	SHAFT	1		
15	25	801333850	O-RING	1		
16	13	809932095	LOCKWASHER	4		
17	11	809922417	NUT	4		
18	32	816174	HOSE	1		
19	54	801328048	CLAMP	1		
20	54	801326639	CLAMP	1		
21	32	816173	PIPE	1		
22	32	816172	HOSE	2		
23	54	801326639	CLAMP	AR		3
24	35	816171	SEAWATER FILTER	1		
25	10	801763853	DRAIN PLUG	1		
26	12	809963201	RING	1		
27	13	809930840	LOCKWASHER	2		
28		801763855	FILTER ELEMENT	1		
29	25	801763856	O-RING	1		
30		801763857	SCREEN	1		
31		801763858	COVER	1		
32	10	801763859	SCREW	2		
33	22	816339	NOZZLE	2		
34	22	816863	Y-FITTING (OLD DESIGN)	1		
35	32	801331258	HOSE (OLD DESIGN)	1		
36	22	815395	CONNECTOR (OLD DESIGN)	1		
37	10	70602	SCREW (OLD DESIGN)	2		
38	13	21272	LOCKWASHER (OLD DESIGN)	2		
39	32	816172	HOSE (OLD DESIGN)	1		
40	22	818172	CONNECTOR (NEW DESIGN)	1		
41	20	818171	BALL VALVE (NEW DESIGN)	1		