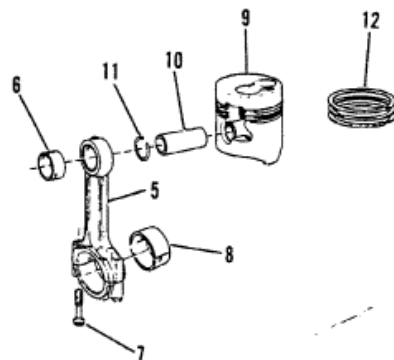
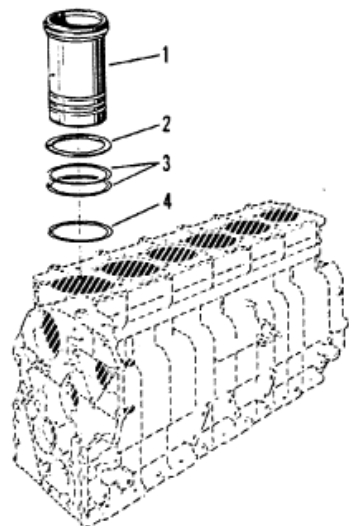


CONNECTING ROD AND PISTON



Parts List						
Ref	Class	Part	Description	Qty	Comment	Footnote
1	51	811369	CYLINDER LINER	6		
2	15	801331607	COMPENSATION SHIM (.15MM)	AR		2,1,3
2	15	801331608	COMPENSATION SHIM (.20MM)	AR		2,1,3
2	15	801763362	COMPENSATION SHIM (.23MM)	AR		2,1,3
3	25	817728	O-RING	12		2,1
4	25	817729	O-RING	6		2,1
5	646	816792	CONNECTING ROD	6		
6	23	801331712	BUSHING	6		
7	10	801331713	BOLT	12		
8		801331715	BEARING SHELL (STANDARD)	6		
8		801331716	BEARING SHELL (.25MM)	AR		3
8		801331717	BEARING SHELL (.50MM)	AR		3
9	795	823645	PISTON	6		
10	41	811387	PISTON PIN	6		
11	40	801331725	RETAINING RING	12		
12	39	811386	PISTON RING (OLD DESIGN)	6		
12	39	823646	PISTON RING (NEW DESIGN)	6		