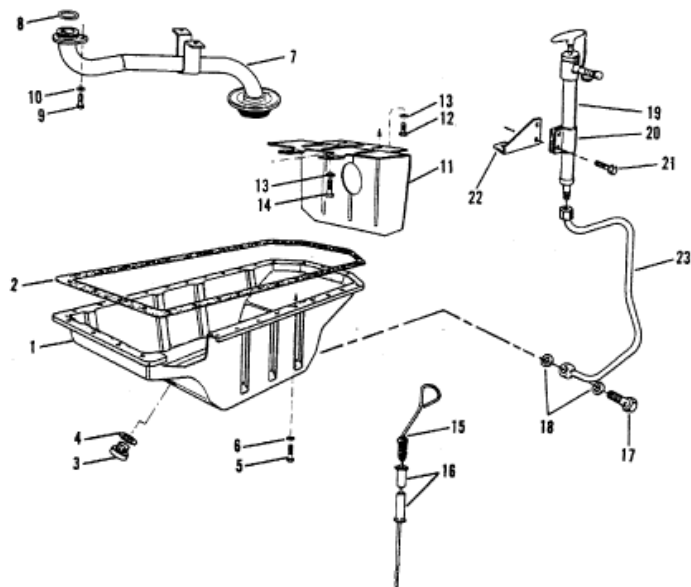


OIL PAN



Parts List

Ref	Class	Part	Description	Qty	Comment	Footnote
1		816553	OIL PAN	1		
2	27	801331613	GASKET	1		1
3	10	801763445	SCREW	2		
4	12	809963354	WASHER	2		1
5	10	809913466	SCREW	29		
6	12	809931044	WASHER	29		
7		816554	SUCTION TUBE	1		
8	25	801333415	O-RING	1		1
9	10	809913466	SCREW	1		
10	13	811427	LOCKWASHER	1		
11		811426	BRACKET	1		
12	10	809913450	SCREW	3		
13	12	809931044	WASHER	5		
14	10	809913466	SCREW	2		
15		801763600	DIPSTICK	1		
16		801333425	DIPSTICK TUBE	1		
17	10	801117181	BANJO BOLT (OLD DESIGN)	1		
18	12	809963201	WASHER (OLD DESIGN)	2		
19		801761921	OIL SUCTION PUMP (OLD DESIG)	1		
20	54	801763973	CLAMP (OLD DESIGN)	1		
21	10	809913477	SCREW (OLD DESIGN)	2		
22		801763923	BRACKET (OLD DESIGN)	1		
23	32	816152	OIL DRAIN PIP (OLD DESIGN)	1		