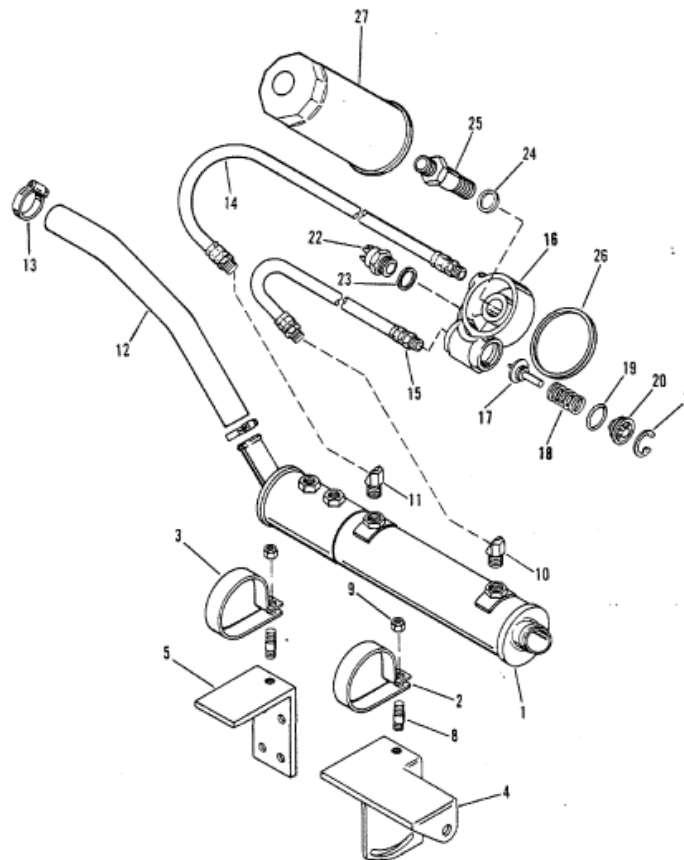


OIL COOLER AND OIL FILTER



Parts List

| Ref | Class | Part | Description | Qty | Comment | Footnote |
|-----|-------|-----------|------------------------|-----|---------|----------|
| 1 | | 816156T | OIL COOLER | 1 | | |
| 2 | 54 | 814858 | CLAMP | 1 | | |
| 3 | 54 | 816182 | CLAMP | 1 | | |
| 4 | | 816340 | BRACKET | 1 | | |
| 5 | | 816157 | BRACKET | 1 | | |
| 8 | 16 | 809908147 | STUD | 2 | | |
| 9 | 11 | 815088 | NUT | 2 | | |
| 10 | 22 | 63825 | ELBOW | 1 | | |
| 11 | 22 | 48872 | ELBOW | 1 | | |
| 12 | 32 | 816735 | HOSE | 1 | | |
| 13 | 54 | 801326639 | CLAMP | 2 | | |
| 14 | 32 | 92357 59 | OIL HOSE (34") | 1 | | |
| 15 | 32 | 92357 50 | OIL HOSE (25") | 1 | | |
| 16 | | 816161T | OIL FILTER ADAPTOR | 1 | | |
| 17 | | 816163 | THERMOSTAT | 1 | | |
| 18 | 24 | 816162 | SPRING | 1 | | |
| 19 | 25 | 816678 | O-RING | 1 | | |
| 20 | | 816165 | COVER | 1 | | |
| 21 | 53 | 816166 | RETAINING RING | 1 | | |
| 22 | 87 | 814078 | OIL TEMPERATURE SENDER | 1 | | |
| 23 | 12 | 809963201 | SEALING WASHER | 1 | | |
| 24 | | 809963355 | SEALING WASHER | 1 | | |
| 25 | 22 | 816167 | FITTING | 1 | | |
| 26 | 25 | 805732 | O-RING | 1 | | |
| 27 | 35 | 816168 | OIL FILTER | 1 | | |