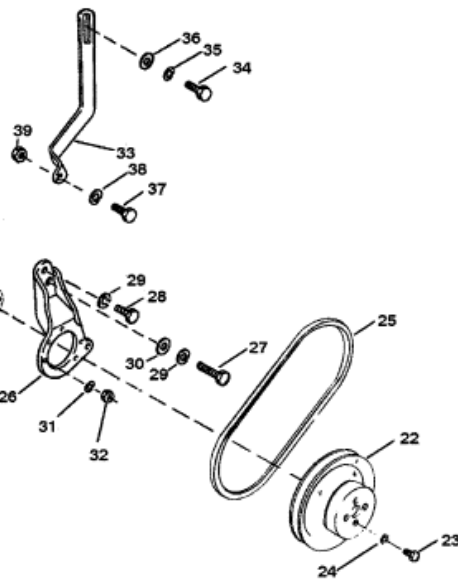
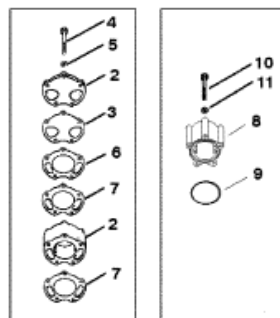


2 PC. BODY

1 PC. BODY



Parts List

| Ref | Class | Part | Description | Qty | Comment | Footnote |
|-----|-------|-----------|-----------------------------|-----|----------------|----------|
| 1 | 46 | 807151A12 | PUMP ASSEMBLY-SEAWATER | 1 | | |
| 2 | 46 | 807151A14 | BODY/IMPELLER KIT-WATER F | 1 | TWO PIECE BODY | 1 |
| 3 | 27 | 805215 1 | GASKET | 1 | TWO PIECE BODY | 7 |
| 4 | 10 | 73275 | SCREW (5/16-18 X 2-7/8 IN.) | 2 | TWO PIECE BODY | |
| 4 | 10 | 99347 | SCREW (5/16-18 X 3-3/4 IN.) | 3 | TWO PIECE BODY | |
| 5 | 12 | 20084 | WASHER | 5 | TWO PIECE BODY | |
| 6 | | 94916 | PLATE-WEAR (OUTER) | 1 | TWO PIECE BODY | |
| 7 | 27 | 94914 | GASKET | 2 | TWO PIECE BODY | 7 |
| 8 | 46 | 807151A14 | BODY/IMPELLER KIT-WATER F | 1 | ONE PIECE BODY | 1 |
| 9 | 25 | 807149 | QUAD RING | 1 | ONE PIECE BODY | |
| 10 | 10 | 807356 | SCREW (5/16-18 X 2-5/8 IN.) | 2 | ONE PIECE BODY | |
| 10 | 10 | 74822 | SCREW (5/16-18 X 3-1/2 IN.) | 3 | ONE PIECE BODY | |
| 11 | 12 | 814806 | WASHER | 5 | ONE PIECE BODY | |
| 12 | 47 | 59362 1 | IMPELLER | 1 | | 7 |
| 13 | 25 | 94288 | QUAD RING | 1 | | 7 |
| 14 | | 94576 | PLATE-WEAR (INNER) | 1 | | |
| 15 | 46 | 94913A 2 | HOUSING ASSEMBLY | 1 | | |
| 16 | 26 | 90562 | SEAL-OIL | 2 | | |
| 17 | 30 | 72961 | BEARING-BALL | 2 | | |
| 18 | | 59501A 1 | SHAFT | 1 | | |
| 19 | 53 | 23720 | RING-SNAP | 1 | | |
| 20 | 26 | 72785 | SEAL-OIL | 1 | | |
| 21 | | 47530 | HUB | 1 | | |
| 22 | | 52822T | PULLEY | 1 | | |
| 23 | 10 | 47277 | SCREW (5/16-24 X 3/4 IN.) | 4 | | |
| 24 | 13 | 39107 | LOCKWASHER (5/16 IN.) | 4 | | |
| 25 | 57 | 13457T | V-BELT | 1 | | |
| 26 | | 15295T | BRACKET | 1 | | |
| 27 | 10 | 47461 | SCREW (7/16-14 X 1 IN.) | 1 | | |
| 28 | 10 | 17965 | SCREW (7/16-14 X 3/4 IN.) | 1 | | |
| 29 | 13 | 32993 | LOCKWASHER (7/16 IN.) | 2 | | |
| 30 | 12 | 27025 | WASHER | 1 | | |
| 31 | 13 | 39107 | LOCKWASHER (5/16 IN.) | 3 | | |
| 32 | 11 | 21908 | NUT (5/16-18) | 3 | | |
| 33 | | 15751T | BRACE | 1 | | |
| 34 | 10 | 47461 | SCREW (7/16-14 X 1 IN.) | 1 | | |
| 35 | 13 | 32993 | LOCKWASHER (7/16 IN.) | 1 | | |
| 36 | 12 | 30315 | WASHER | 1 | | |
| 37 | 10 | 35786 | SCREW (3/8-24 X 1 IN.) | 1 | | |
| 38 | 13 | 35048 | LOCKWASHER (3/8 IN.) | 1 | | |
| 39 | 11 | 46325 | NUT (3/8-24) | 1 | | |