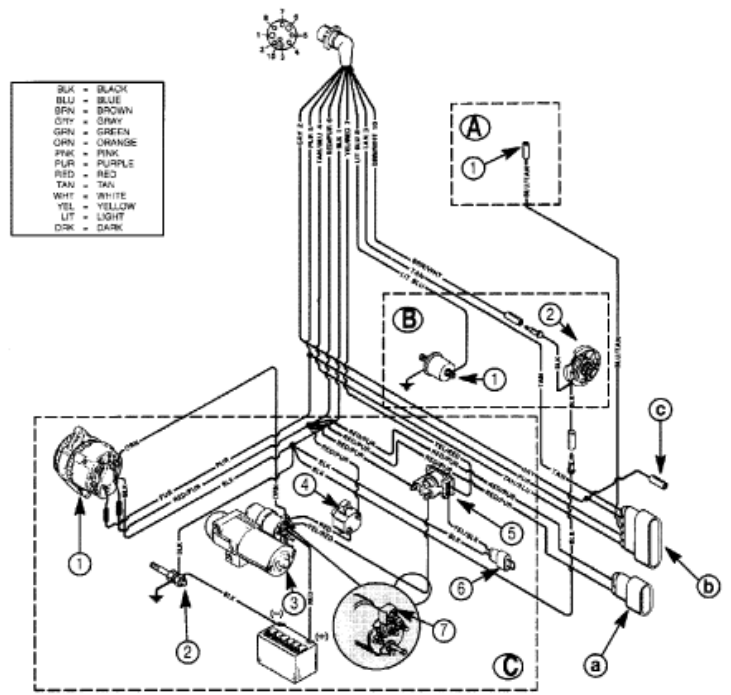


Parts List

Ref	Class	Part	Description	Qty	Comment	Footnote
-	84	861716T 1	WIRING HARNESS	1	(Mando)	
-	84	862078T 1	WIRING HARNESS	1	(Delco)	



A - Audio Warning Components

- 1-Wire Not Used on MCM

B - Instrumentation Components

- 1-Oil Pressure Sender - To Gauge
- 2-Trim Sender - To Gauge

C - Charging and Starting Components

- 1-Alternator
- 2-Ground Stud
- 3-Starter
- 4-Circuit Breaker
- 5-Starter Slave Solenoid
- 6-Jumper Wire Connection
- 7-90 Amp Fuse (DO NOT REMOVE)

- a-Positive (+) Power Wire Connector To EFI System Harness
- b-Harness Connector To EFI System Harness
- c-Auxiliary Tachometer Lead