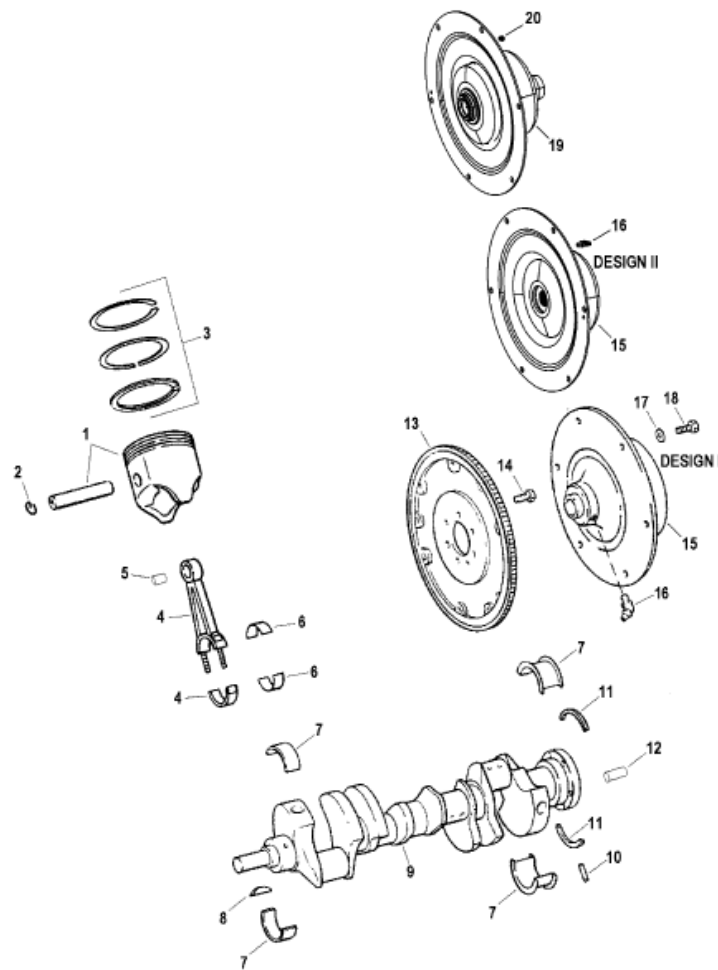


Parts List



Ref	Class	Part	Description	Qty	Comment	Footnote
1	789	813058T 1	PISTON ASSEMBLY	8	(Standard)	5
1	789	813059A 1	PISTON ASSEMBLY	8	(.030 Oversize) (NOTE: When ord	
2		17799	RETAINER-Piston Pin	16		
3	39	818629	RING SET-Piston	1	(Standard)	5
3	39	42733 35	RING SET-Piston	1	(.035 Oversize)	
4	645	845612T 5	CONNECTING ROD ASSEMBLY	8		5
5		42839	BUSHING-Conn Rod	8		
6	23	841447A 1	BEARING KIT	1	(Standard) (8 Sets Of 2 Each)	5
6	23	841448A 1	BEARING KIT	AR	(.001 Oversize) (8 Sets Of 2 Each)	5
6	23	841449A 1	BEARING KIT	AR	(.001 Undersize) (8 Sets Of 2 Each)	5
6	23	841450	BEARING SET	AR	(.010 Undersize) (1 Set Of 2 Each)	5
7	23	842400	BEARING SET-Main	1	(Standard)	5
7	23	842401	BEARING SET-Main	AR	(.001 Oversize)	5
7	23	842402	BEARING SET-Main	AR	(.001 Undersize)	5
7	23	842403	BEARING SET-Main	AR	(.010 Undersize)	5
8	28	34466	KEY-Crankshaft	2		5
9	2408	845867T	CRANKSHAFT	1	(Internal Balanced)	5
10	17	35312	PIN-Dowel	2	(.250 Diameter) (Rear Main Cap)	5
11	26	14756	SEAL-Oil	1		2,5
12	17	816986	PIN-WHEEL	1	(Crankshaft)	5
13	230	9425 1	FLYwHEEL	1	(Internal Balanced)	5
14	10	49845	SCREW (.437-20 x 1.00)	6		5
15		18311A17	COUPLER ASSEMBLY-Engine	1	(Driveline Models) (Design I)	
15		861523A 9	COUPLER ASSEMBLY-Engine	1	(Driveline Models) (Design II)	
16	22	49099	FITTING-Grease	2		
17	12	856774	WASHER	6		
18	10	35091	SCREW (.375-16 x 1.125)	6		
19		861523A11	COUPLER ASSEMBLY-Engine	1	(Plug In Models)	
20	22	74036	FITTING-Grease	2		
-	27	99386A96	GASKET SET	1	(Engine Overhaul)	