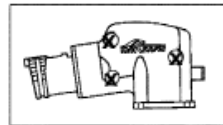
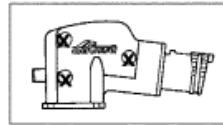


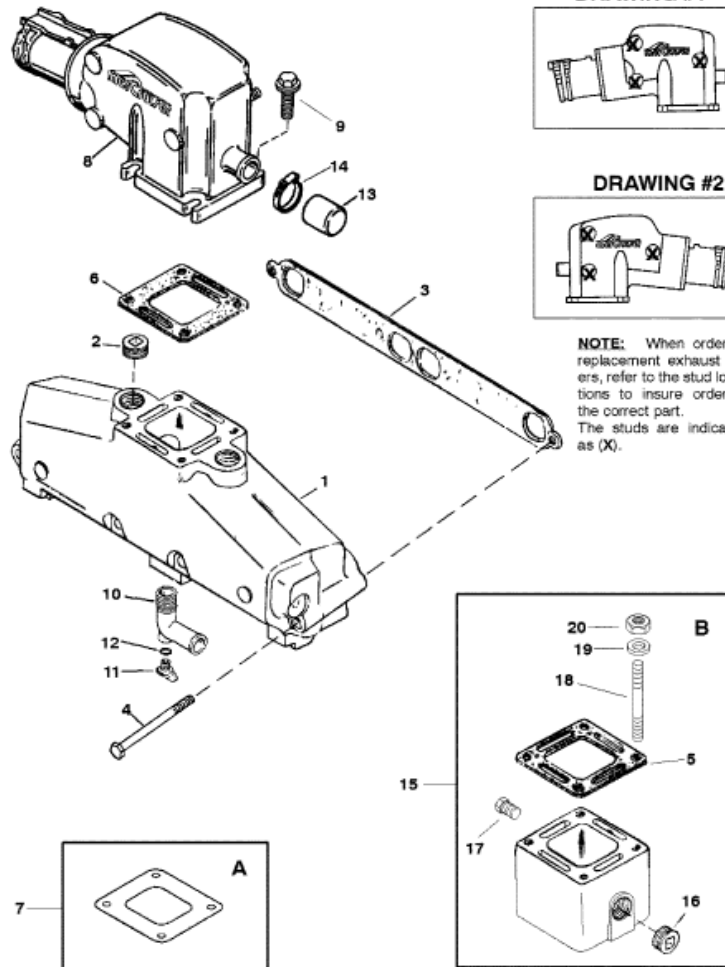
DRAWING #1



DRAWING #2



**NOTE:** When ordering replacement exhaust risers, refer to the stud locations to insure ordering the correct part. The studs are indicated as (X).



**A = CLOSED COOLING ONLY**  
**B = USE WITH RISER KITS**

Parts List

Ref	Class	Part	Description	Qty	Comment	Footnote
1		87114A19	MANIFOLD ASSEMBLY-EXHAUST	2		
2	22	33198A 1	PLUG-PIPE (3/4-14)	AR		2
3	27	33395	GASKET	2		3
4	10	53728	SCREW (3/8-16 X 4-5/8 IN.)	8		
5	27	860232	GASKET	2	(USE WITH RISER KITS)	
6	27	860233	GASKET	2	(STANDARD COOLING)	
7	27	860231	GASKET	2	(CLOSED COOLING)	
8		816900A 5	ELBOW ASSEMBLY-EXHAUST	1	(SEE DRAWING #1)	
8		816900A 7	ELBOW ASSEMBLY-EXHAUST	1	(SEE DRAWING #2)	
9	10	12244	SCREW (3/8-16 X 1 IN.)	6		
9	10	98534	SCREW (3/8-16 X 2-5/16 IN.)	2		
10	22	806926A 1	ELBOW-DRAIN	2		
11	22	806608A 1	PLUG-DRAIN	2		
12	25	806609	QUAD RING	2		
13	19	805727	CAP-RUBBER	2		
14	54	815504220	CLAMP	2		
15		93320A 7	EXHAUST RISER KIT	1	(3 IN.)	
15		93322A 5	EXHAUST RISER KIT	1	(6 IN.)	
16	22	33198A 1	PLUG-PIPE (3/4-14)	2/4		
17	22	32802 1	PLUG-PIPE (1/8-27)	2/4		
18	16	97520	STUD (3/8 X 5 IN.)	6	USE WITH 3 IN. RISER	
18	16	34713	STUD (3/8 X 6-1/2 IN.)	2	USE WITH 3 IN. RISER	
18	16	821738	STUD (3/8 X 8 IN.)	6	USE WITH 6 IN. RISER	
18	16	11375	STUD (3/8 X 9-3/8 IN.)	2	USE WITH 6 IN. RISER	
19	12	46132	WASHER	10		
20	11	46335	NUT (3/8-24)	8		
-	27	806871A96	ENGINE OVERHAUL GASKET SE	1		